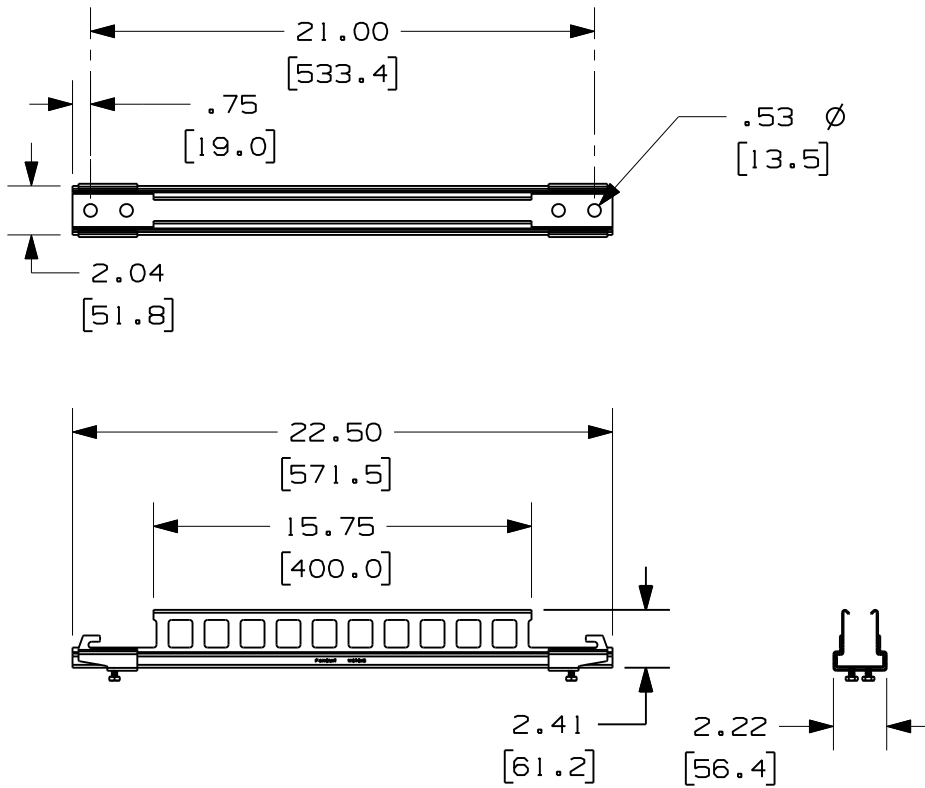


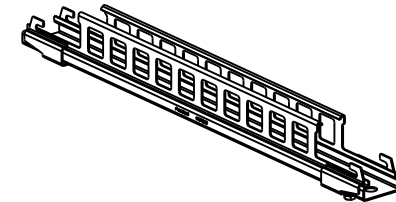
THIS COPY IS PROVIDED ON A RESTRICTED BASIS AND IS NOT TO BE USED IN ANY WAY DETRIMENTAL TO THE INTERESTS OF PANDUIT CORP.



PANDUIT PART NUMBER	WEIGHT
WGTB18	2.29 LBS (1039 g)

NOTES:

- SEE CURRENT CATALOG FOR PART NUMBER DESIGNATION FOR TYPE AND COLOR.
- EACH PACKAGE CONSISTS OF:
 (1) WYR-GRID TRAPEZE BRACKET
 (2) WYR-GRID TRAPEZE BRACKET CLIPS
 (2) 1/4-20 X 3/8 HEX HEAD CAP SCREWS
- WYR-GRID TRAPEZE BRACKETS SUPPORT WYR-GRID PATHWAY SUSPENDED FROM THREADED RODS.
- DIMENSIONS IN PARENTHESES ARE METRIC



CAD FILENAME/LAYERS 09D017AC_DC_AWGTB18/01B

PANDUIT CORP. TINLEY PARK, ILLINOIS

WYR-GRID TRAPEZE BRACKET 18"
 ASSEMBLY (WGTB18)
 CUSTOMER DRAWING

UNLESS OTHERWISE SPECIFIED,
 DIMENSIONAL TOLERANCES ARE:
 (.X) ± (.XXX) ±
 (.XX) ± .05 (1.3) ANGLES ±

UNLESS OTHERWISE SPECIFIED,
 ALL DIMENSIONS ARE GIVEN
 IN INCHES, THIRD ANGLE PROJECTION.

REV	DATE	BY	CHK	DESCRIPTION	ECN	CHK	CUST	SUP	DRAWN BY	MAT'L:	SCALE	DRAWING NO.	DWG SIZE	
I	1-17-11	JAHA	DWW	RELEASED TO PRODUCTION	09D017AC-DC	RN	RN		JAHA	STEEL	NONE	09D017AC-DC	A	
R	5-24-10	JAHA	DWW	DRAWING RELEASED					DATE					
									5-24-10					
									CHK'D	DWW				