

D

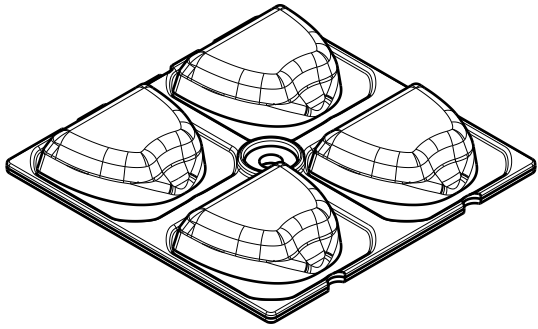
C

B

A

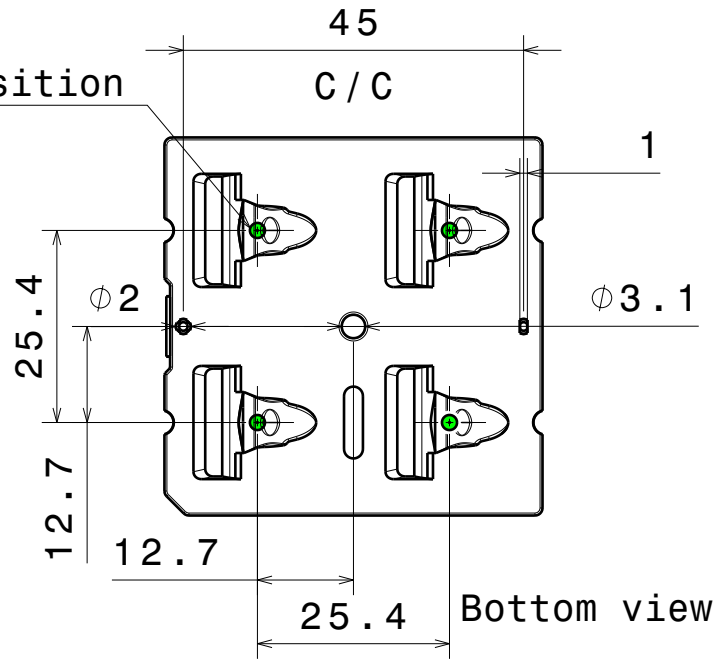
4

4



Isometric view

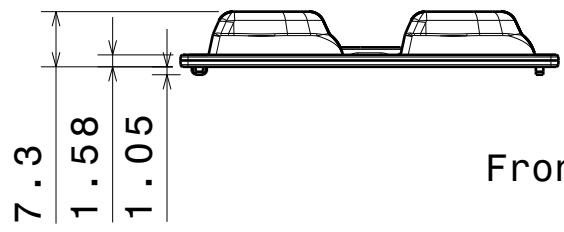
LED position



Bottom view

3

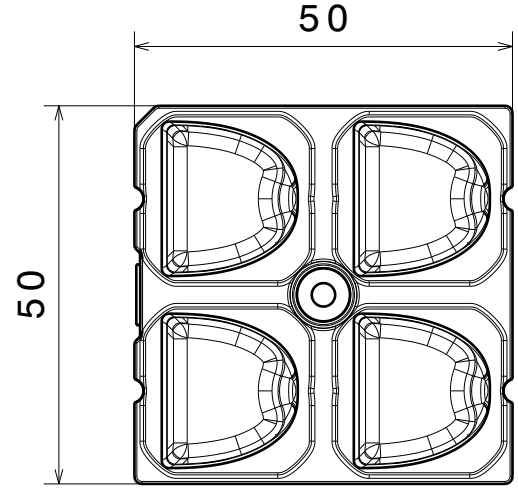
3



Front view

2

2

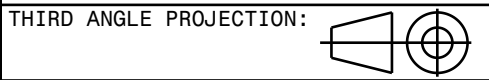


Top view

INDEX	PART NO	DESCRIPTION	MATERIAL	COLOUR
1	C12419	STRADA-2X2-A-T	PMMA	

Tolerances if not otherwise shown
 According to DIN ISO 2768-1
 Linear measures:
 Up to 30mm class M, otherwise class C.
 According to DIN ISO 2768-2
 Form and position: class L
 Control for SPC marked dimensions.

LEDiL LediL Oy
 Salorankatu 10
 FIN 24240 SALO
 Finland



DRAWING TITLE
C12419_STRADA-2X2-A-T

This drawing is the property of LEDiL Oy. It may not be reproduced, copied or communicated without a written agreement with LEDiL Oy."

SIZE	PART NUMBER
A4	C12419

SCALE	1:1	WEIGHT	7,5 g	SHEET	1/1
-------	-----	--------	-------	-------	-----

D

A

1

1