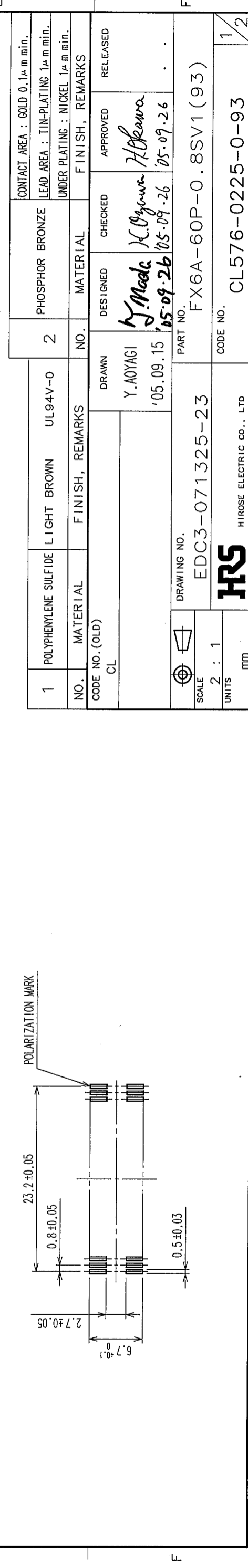
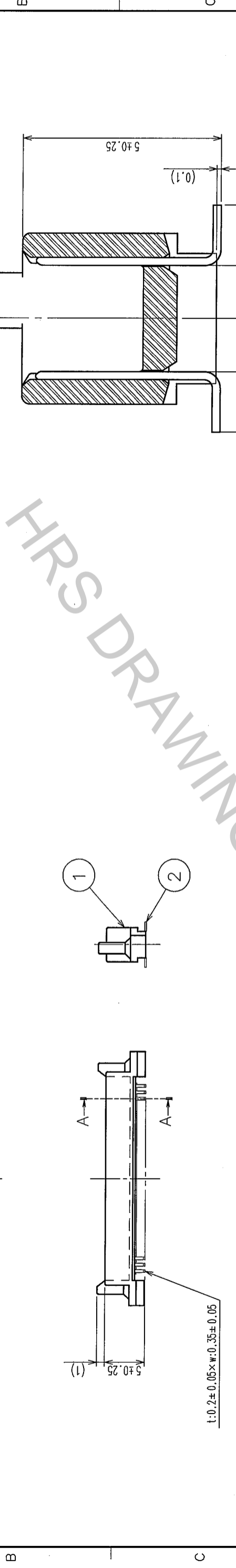


COUNT	DESCRIPTION OF REVISIONS	BY	CHKD	DATE	COUNT	DESCRIPTION OF REVISIONS	BY	CHKD	DATE
△					△				
△					△				
△					△				

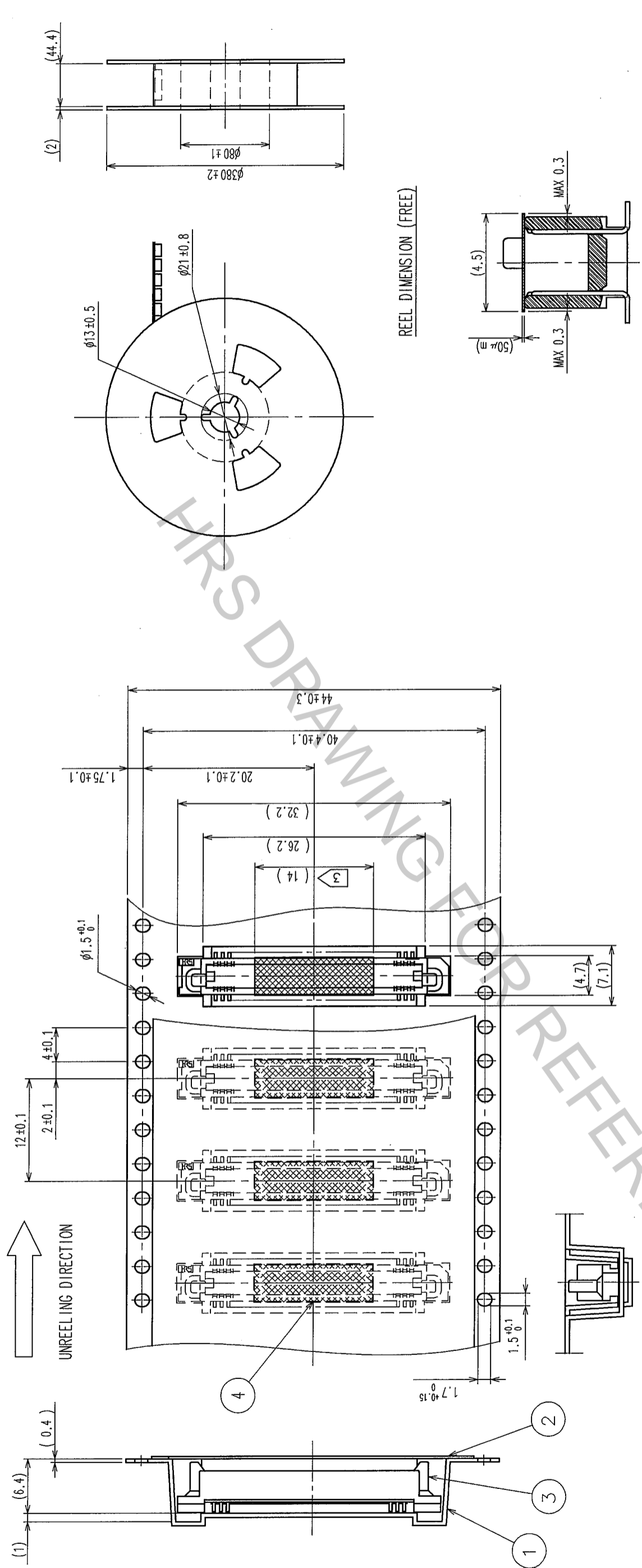


A-A (10:1)

- NOTE
- 1 HRS MARK SHALL BE OPTIONAL.
 - 2 LEAD CO-PLANARITY SHALL BE 0.1mm MAX.
 - 3 THE DIMENSIONS IN PARENTHESES ARE FOR REFERENCE.
 - 4 EMBOSSED CARRIER TAPE PACKAGING SHALL BE APPLIED FOR THIS PRODUCT.
 - 5 THIS PRODUCT HAS TAPE FOR VACUUM PICKUP.
 - 6 SEE NEXT PAGE FOR DETAIL OF STICKING POSITION, ETC. FOR MODIFICATION, ETC, PREVENTIVE HOLE FOR SINK MARK MAY BE ADDED ACCORDING TO CIRCUMSTANCES.

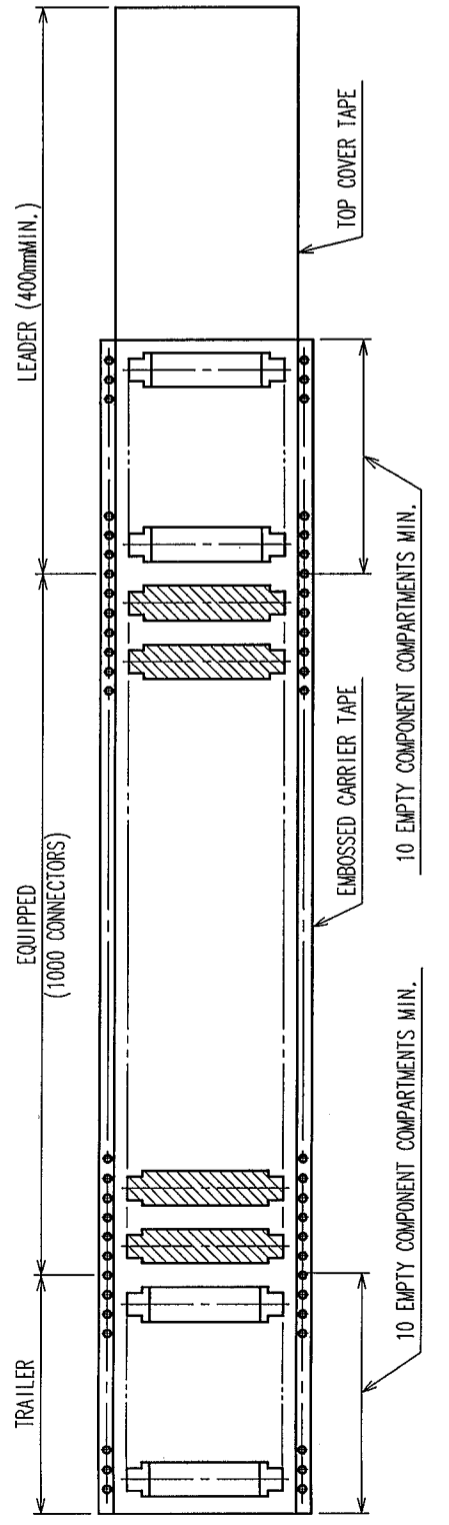
1	POLYPHENYLENE SULFIDE	LIGHT BROWN	UL94V-0	2	PHOSPHOR BRONZE				
NO.	MATERIAL	FINISH, REMARKS	NO.	MATERIAL	FINISH, REMARKS	DESIGNED	CHECKED	APPROVED	RELEASED
CODE NO. (OLD)	CL					Y. AOYAGI	K. Ogyama	H. Kawano	
						'05.09.15	'05.09.26	'05.09.26	
DRAWING NO.		EDC3-071325-23		PART NO.		FX6A-60P-0.8SV1(93)			
SCALE		2:1		CODE NO.		CL576-0225-0-93			
UNITS		mm		HIROSE ELECTRIC CO., LTD					

COUNT	DESCRIPTION OF REVISIONS	BY	CHKD	DATE	COUNT	DESCRIPTION OF REVISIONS	BY	CHKD	DATE
△					△				
△					△				
△					△				



DETAIL OF TAPE FOR VACUUM PICKUP (5:1)

- NOTE 1 THE DIMENSIONS IN PARENTHESES ARE FOR REFERENCE.
 2 1 REEL : 1000 CONNECTORS
 3 REMOVE THE VACUUM PICK-UP TAPE AFTER MOUNTING THE CONNECTOR.



NO.	MATERIAL	FINISH, REMARKS	NO.	MATERIAL	FINISH, REMARKS
2	POLYESTER	TOP COVER TAPE	4	POLYIMIDE	TAPE FOR VACUUM PICKUP (CONNECTOR)
1	POLYSTYRENE	EMBOSSED CARRIER TAPE	3		

CODE NO. (OLD)	CL	DRAWN	DESIGNED	CHECKED	APPROVED	RELEASED
		Y. AOYAGI '05.09.15	J. Mada '05.09.26	K. Ogyuwa '05.09.26	H. Okawa '05.09.26	

DRAWING NO.	PART NO.
EDC3-071325-23	FX6A-60P-0.8SV1(93)

SCALE	UNITS	CODE NO.
2 : 1	mm	CL576-0225-0-93