



40pin connector

Identification	Number of contacts	Part number	Drawing	Dimensions in mm
----------------	--------------------	-------------	---------	------------------

Micro Card Edge connector

2800 pieces in a "Tape and Reel" packaging (14 reels with 200 pcs.)

40

15 01 040 4601 040

200 pieces in a "Tape and Reel" packaging

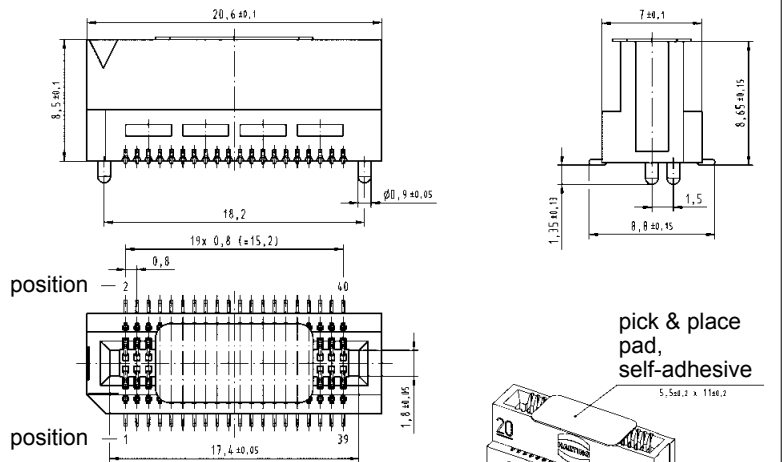
40

15 01 040 4601 042

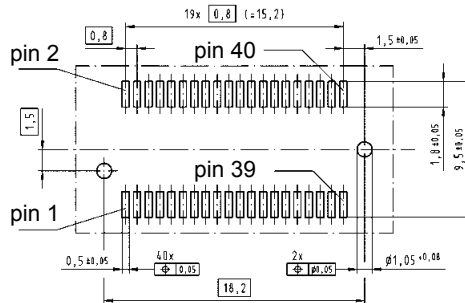
Single connector sample

40

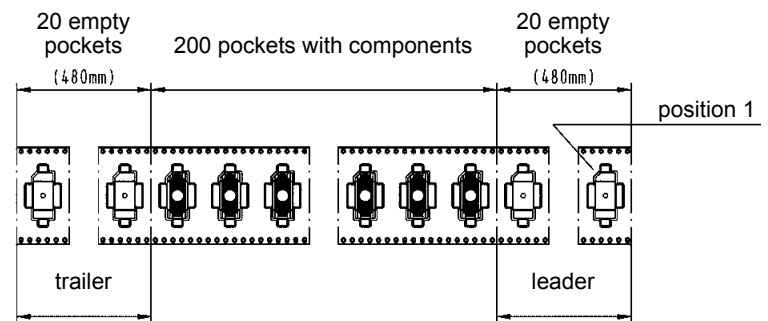
15 01 040 4601 333



Board layout



"Tape and Reel" packaging



Reel dimensions

