

4

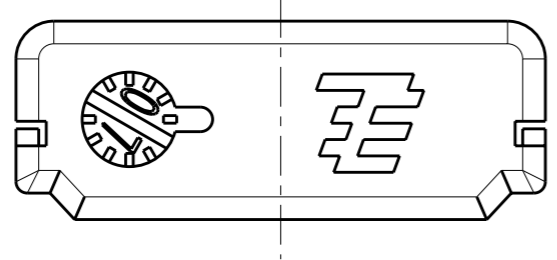
3

2

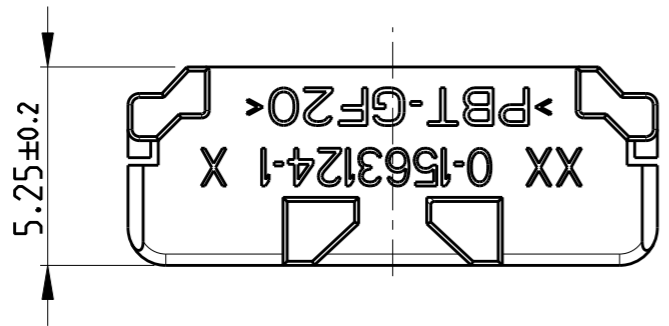
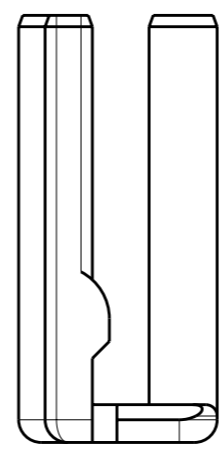
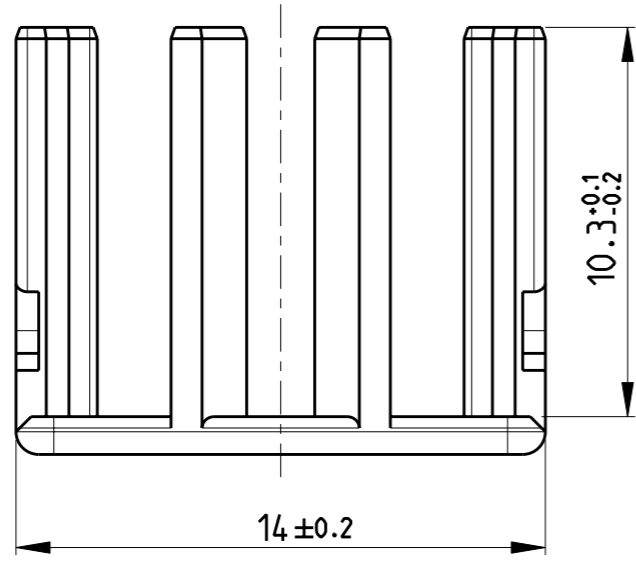
1

THIS DRAWING IS UNPUBLISHED. RELEASED FOR PUBLICATION 2008
 © COPYRIGHT 2008 BY TYCO ELECTRONICS CORPORATION. ALL RIGHTS RESERVED.

LOC	DIST	REVISIONS			
P	LTR	DESCRIPTION	DATE	DWN	APVD
A1	-	A	NEW DRAWING	30JAN2008	GP GM



1:1



NOTES:
Bemerkungen:

- 1 DELIVERY CONDITION: LOOSE PIECES
Anlieferungszustand: Teile lose beigelegt
- 2 MATED WITH TE-PN: 0-1563123-1
Verwendet mit TE-PN: 0-1563123-1
- 3 MATED WITH TE-PN: 0-2112415-1
Verwendet mit TE-PN: 0-2112415-1

THIS DRAWING IS A CONTROLLED DOCUMENT FOR TYCO ELECTRONICS CORPORATION
 IT IS SUBJECT TO CHANGE AND THE CONTROLLING ENGINEERING ORGANIZATION
 SHOULD BE CONTACTED FOR THE LATEST REVISION.

DIMENSIONS:		TOLERANCES UNLESS OTHERWISE SPECIFIED:	
mm			
	0 PLC	±0.30	
	1 PLC	±0.30	
	2 PLC	±0.30	
	3 PLC	±-	
	4 PLC	±-	
	ANGLES	±2°	
MATERIAL	-	FINISH	-

DWN	G.PUCKEL	30JAN2008
CHK	K.ROTH	30JAN2008
APVD	G.MUMPER	30JAN2008
PRODUCT SPEC	-	
APPLICATION SPEC	-	
WEIGHT	-	
CUSTOMER DRAWING		

Tyco Electronics AMP GmbH 64625 Bensheim (Germany)		NAME SECONDARY LOCK FOR 10 POS. MIXED RECEPTACLE HOUSING 8 x MCON1.2 AND 2 x MCP2.8	
SIZE	CAGE CODE	DRAWING NO	RESTRICTED TO
A3	00779	0-1563124	-
SCALE		SHEET	REV
5:1		1 OF 1	A