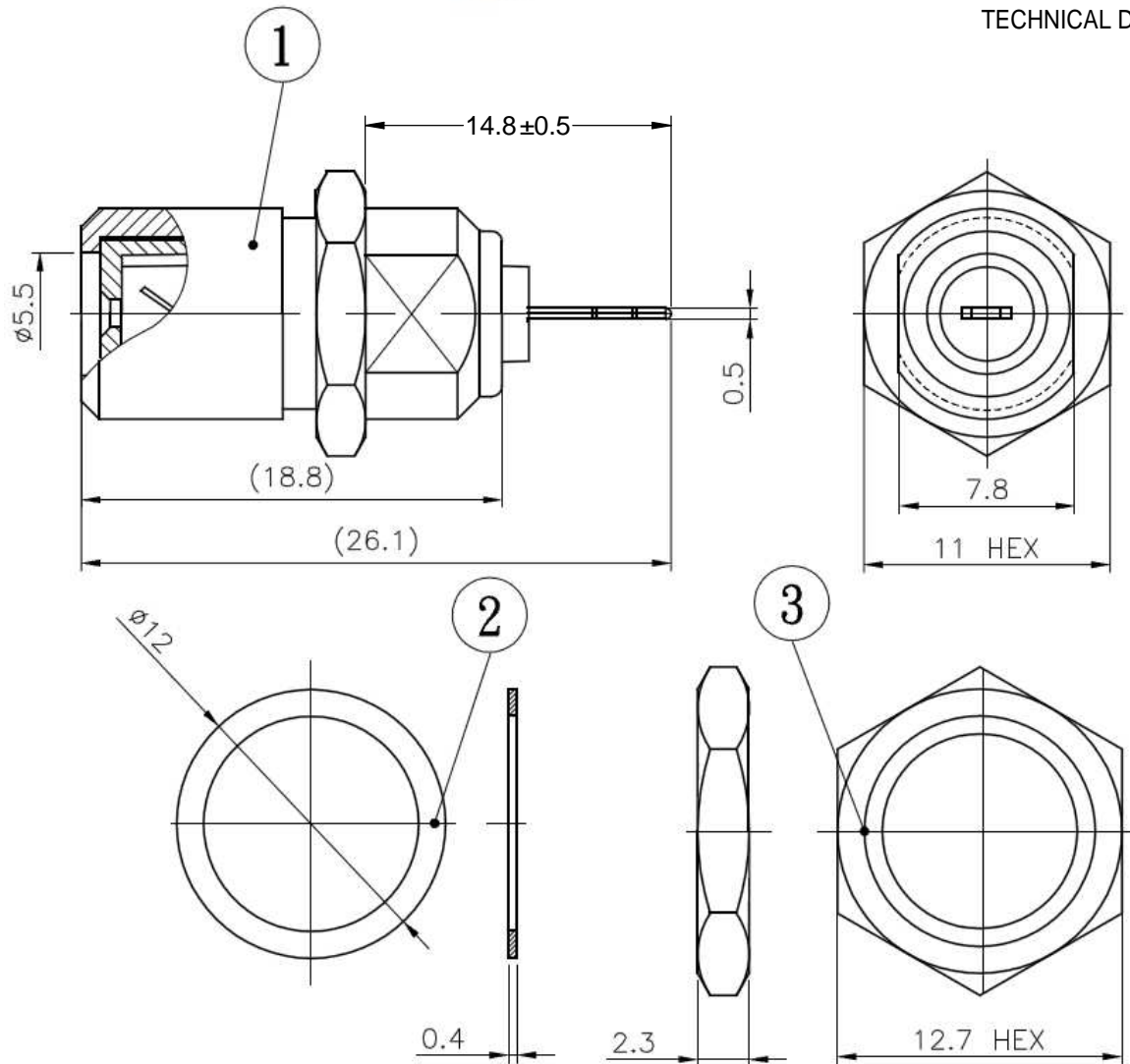




DESCRIPTION: F-61AD JACK, FLANGE MOUNT, W/NUT & WASHER
 MODEL NUMBER: 25-7660
 APPLICATION: CHASSIS MOUNT
 IMPEDANCE: 75 OHMS
 FREQUENCY RANGE: 0-1 GHz
 RoHS COMPLIANCE: YES
 TECHNICAL DETAIL: REFER TO CINCH DOCUMENT 25-0000



	3RD ANGLE PROJECTION	AIM-Cambridge	
	RoHS2 <input checked="" type="checkbox"/> 2011/65/EU	Title: F-61AD JACK, FLANGE MOUNT, W/NUT & WASHER	
<small>This PROPRIETARY Document is property of Cinch Connectivity Solutions. It is confidential in nature, non-transferable, and issued with the clear understanding that it is not to be copied or copied without permission and is returnable upon demand.</small>	<small>UNLESS OTHERWISE SPECIFIED UNITS: METRIC</small> .X ±.51 .XX ±.127 ANGLES ±2°	Model No. 25-7660	
<small>INTERPRET DRAWING IN ACCORDANCE WITH ASME Y14.5-2009.</small>	Size A	DO NOT SCALE DRAWING	Date: 2016/3/4 Sheet 1 of 1