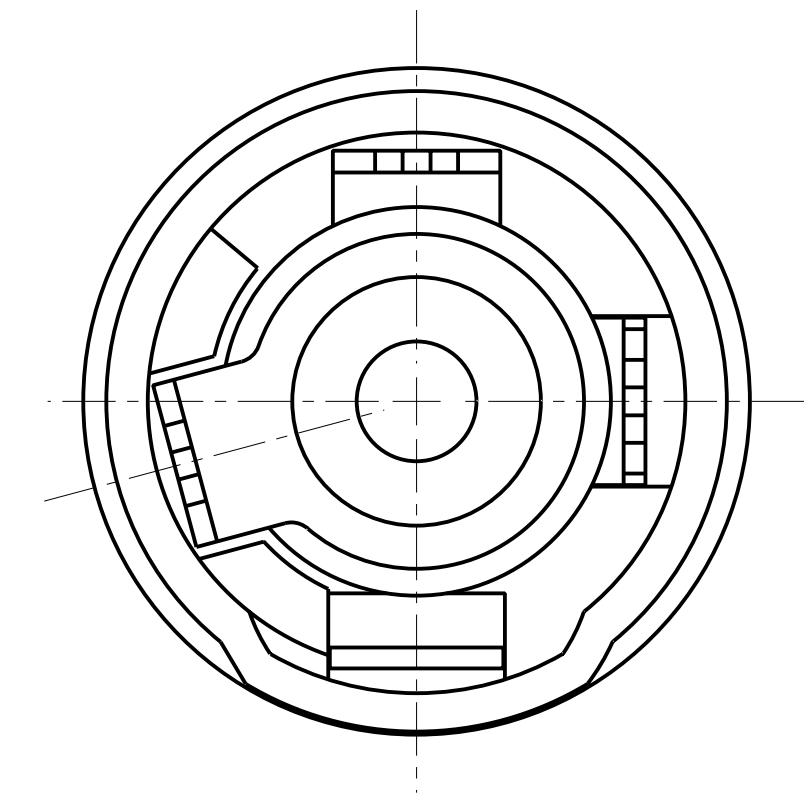
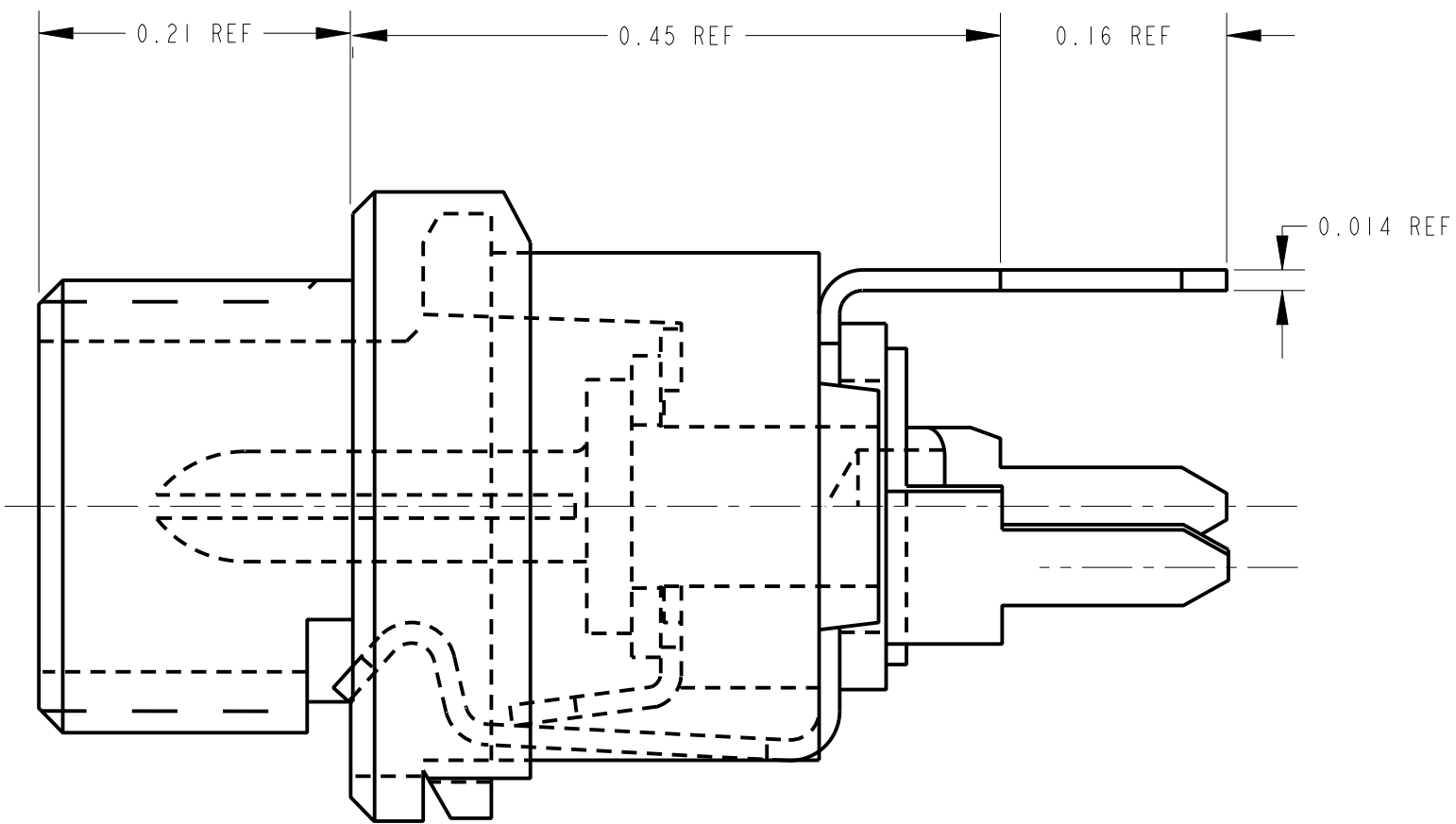
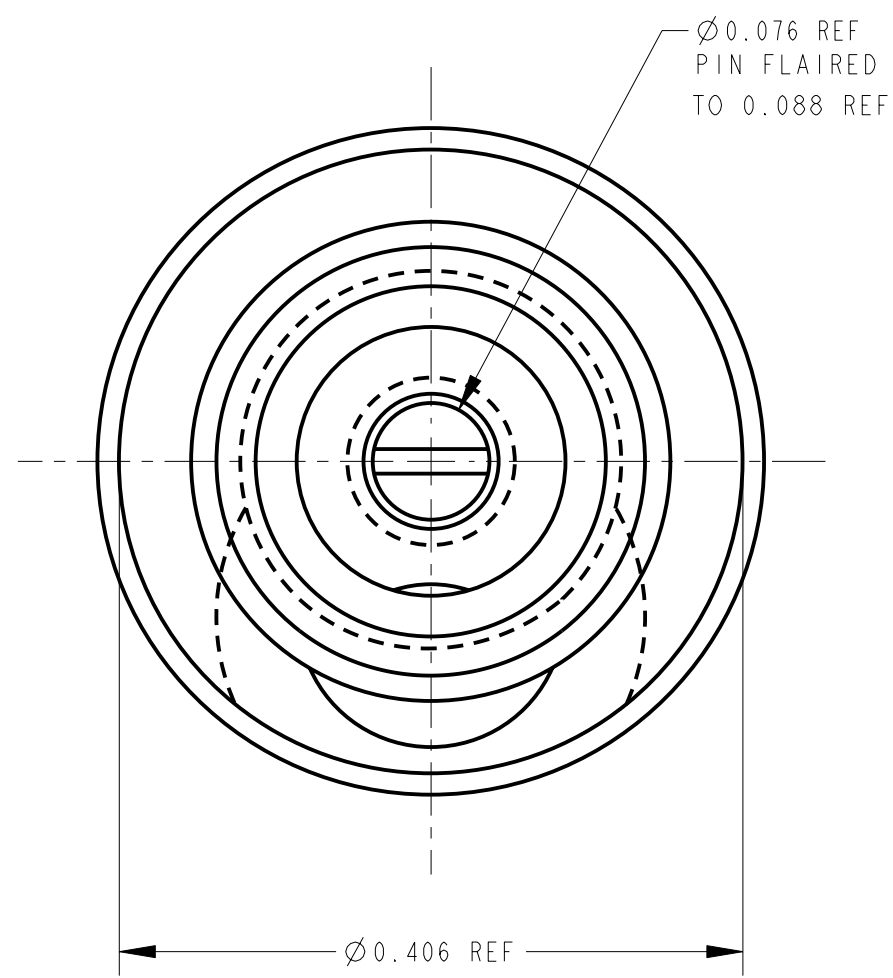


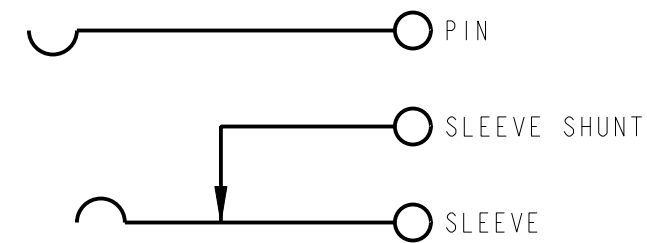
PC BOARD LAYOUT

SCALE: 1 = .250



MATERIAL:

MOUNTING BUSHING: COPPER ALLOY, NICKEL PLATED
 HOUSING: THERMOPLASTIC, BLACK
 PIN, SPRING AND TERMINALS: COPPER ALLOY, SILVER PLATED.
 INSULATORS: PHENOLIC
 HARDWARE:
 HEX NUT: COPPER ALLOY, NICKEL PLATED
 FLAT WASHER: STEEL, NICKEL PLATED (NOT SHOWN)



CIRCUIT DIAGRAM

CUSTOMER DRAWING

CAD/CAM DWG. NO.
 PC722A_CD
 SHEET 1 OF 1

G		ECO #22992	9-1-99	JL	DK	★ STAR SYMBOL DENOTES CRITICAL DIMENSION. SEE S/C ENGINEERING STANDARD ES-0001.	THIS DRAWING DESCRIBES A DESIGN CONSIDERED PROPRIETARY IN NATURE, DEVELOPED AND MANUFACTURED BY SWITCHCRAFT INC. AND IS RELEASED ON A CONFIDENTIAL BASIS FOR IDENTIFICATION PURPOSE ONLY.				
F		ECO#20056	9-8-95	DA	TAO		UNLESS OTHERWISE SPECIFIED	SIZE	WIDTH	MULT	LBS./M
E		ECO #20053	9-8-95	DA	TAO	1. ALL DIMENSIONS IN INCHES TWO PLACE DECIMAL ±.01 THREE PLACE DECIMAL ±.005 ANGLES ±0.5° ALL DIA'S CONCENTRIC WITHIN .005 T.I.R. 2. REMOVE ALL BURRS 3. MAKE NO DIMENSIONAL ALLOWANCES FOR APPLIED FINISHES, I.E., PLATING, PAINTING, ETC. 4. HOLES ON THE SAME CENTERLINE MUST BE ALIGNED WITHIN ±.002	FINISH		MATERIAL		
D		ECO #20052	9-8-95	DA	TAO		SPEC. NO.	SCALE		SPEC. NO.	
C		ECO #20050	9-8-95	DA	TAO		FIRST USED ON	1 = 0.125		Switchcraft®	
B		ECO #19704	3-24-95	RC	GHJ		DATE DRAWN	BY	CHK'D TO	APP'D	
A		FIRST DRAWN	10-24-93	LR	GHJ	10-24-93	LR	10-27-93	GHJ	10-27-93	
ISSUE	CHANGE NO.	DATE	BY	APP'D			NAME		PART NO.	ISSUE	
REVISIONS					DO NOT SCALE DRAWING		POWER JAX		PC722A	G	