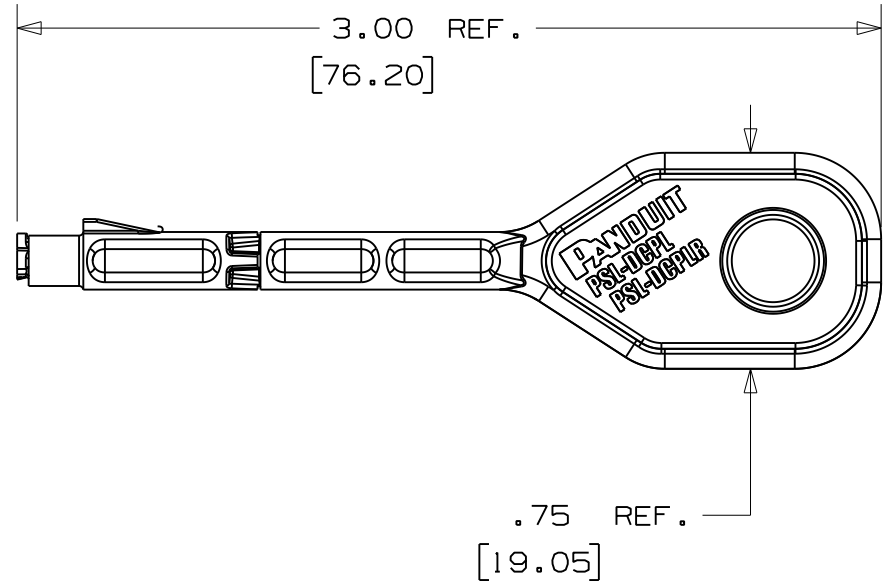
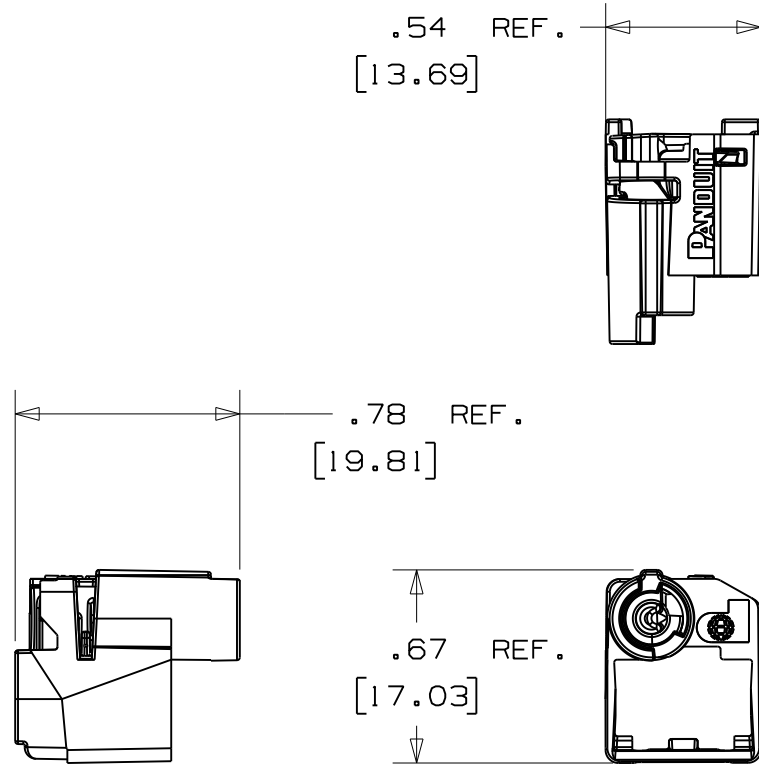


THIS COPY IS PROVIDED ON A RESTRICTED BASIS AND IS NOT TO BE USED IN ANY WAY DETRIMENTAL TO THE INTERESTS OF PANDUIT CORP.



PSL - DCPLR

KEY

CAD FILENAME/LAYERS 100913AD\_C10743\_DCPLR\_01.prt

PANDUIT CORP. TINLEY PARK, ILLINOIS

PSL - DCPLR  
CUSTOMER DRAWING

UNLESS OTHERWISE SPECIFIED,  
DIMENSIONAL TOLERANCES ARE:  
(.X) ± .05 (XXX) ± .010  
(.XX) ± .02 ANGLES ± 2°

UNLESS OTHERWISE SPECIFIED,  
ALL DIMENSIONS ARE GIVEN  
IN INCHES, THIRD ANGLE PROJECTION.

DRAWN BY  
MROB

MAT'L:

LOCK-IN  
POLYCARBONATE  
KEY  
10% GF NYLON

SCALE

1.5 : 1

0 09/17/08 MROB DRAWING RELEASED

5552 D

DATE  
09/17/08

DRAWING NO.

C10743

DWG  
A  
SIZE

REV DATE BY CHK DESCRIPTION

ECN - R CUST SUP

CHK'D