

PART NAME: HANDLE SCALE: 1:1 DATE: 12/8/89 DR. BY HD

THIS DRAWING IS THE PROPERTY OF DAVIES MOLDING COMPANY, IS SUBMITTED SOLELY AS A DESIGN OR ENGINEERING PROJECT. WE ACCEPT NO RESPONSIBILITY WHATSOEVER FOR THE PRACTICAL APPLICATION OF THE PIECES MADE TO THIS DESIGN.

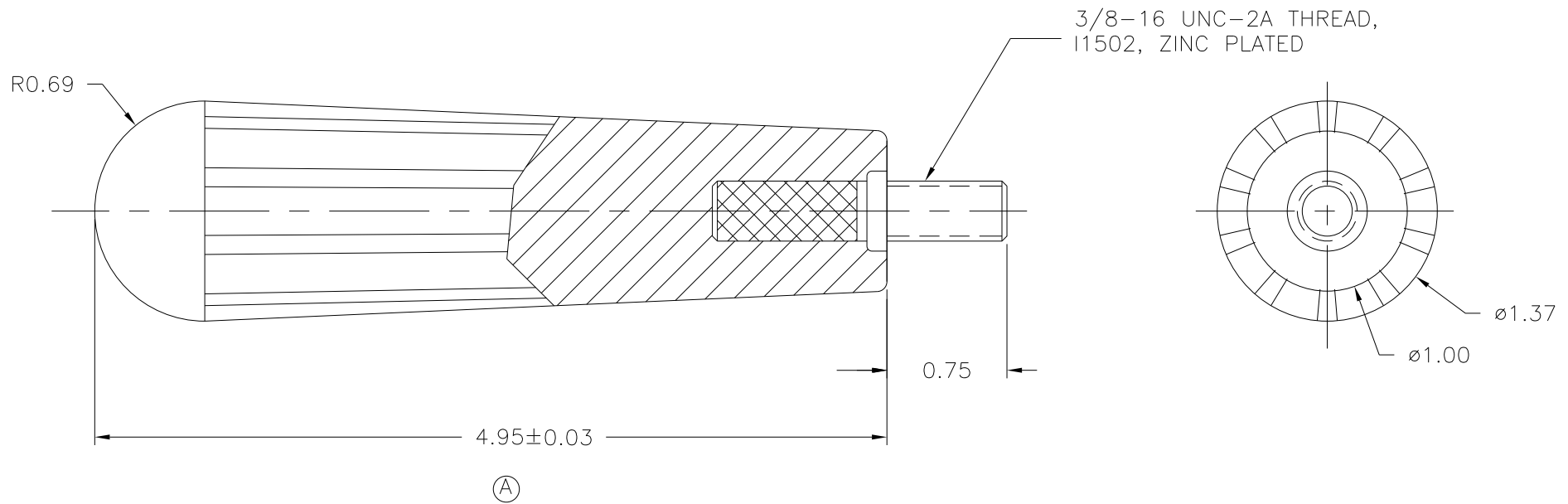


DESIGNERS & MANUFACTURERS OF KNOBS, HANDLES, CASES & CUSTOM PLASTIC COMPONENTS

P/N 0730-H

M NO. 5682

CAVITY	0698
PLUNGER	0730
PINS	698-1
PIN BARS	M-698
INSERT	I1502



MATERIAL: #4311 PLENCO PHENOLIC (B41)
COLOR: BLACK

TOLERANCES: UNLESS OTHERWISE SPECIFIED	DO NOT SCALE DRAWING			
DECIMALS: X.XXX ± .005 X.XX ± .015	MM: X.XX ± 0.15MM X.X ± 0.4MM	-	UPDATED DRAWING	ST 7/21/2000
FRACTIONS ± 1/64	ANG. ± 1°	A	WAS 5 1/16	MP 12/03/96
		-	CAD/REDRAWN BY	HD 8/15/94
CHANGES				