

THIS DRAWING IS UNPUBLISHED.

RELEASED FOR PUBLICATION

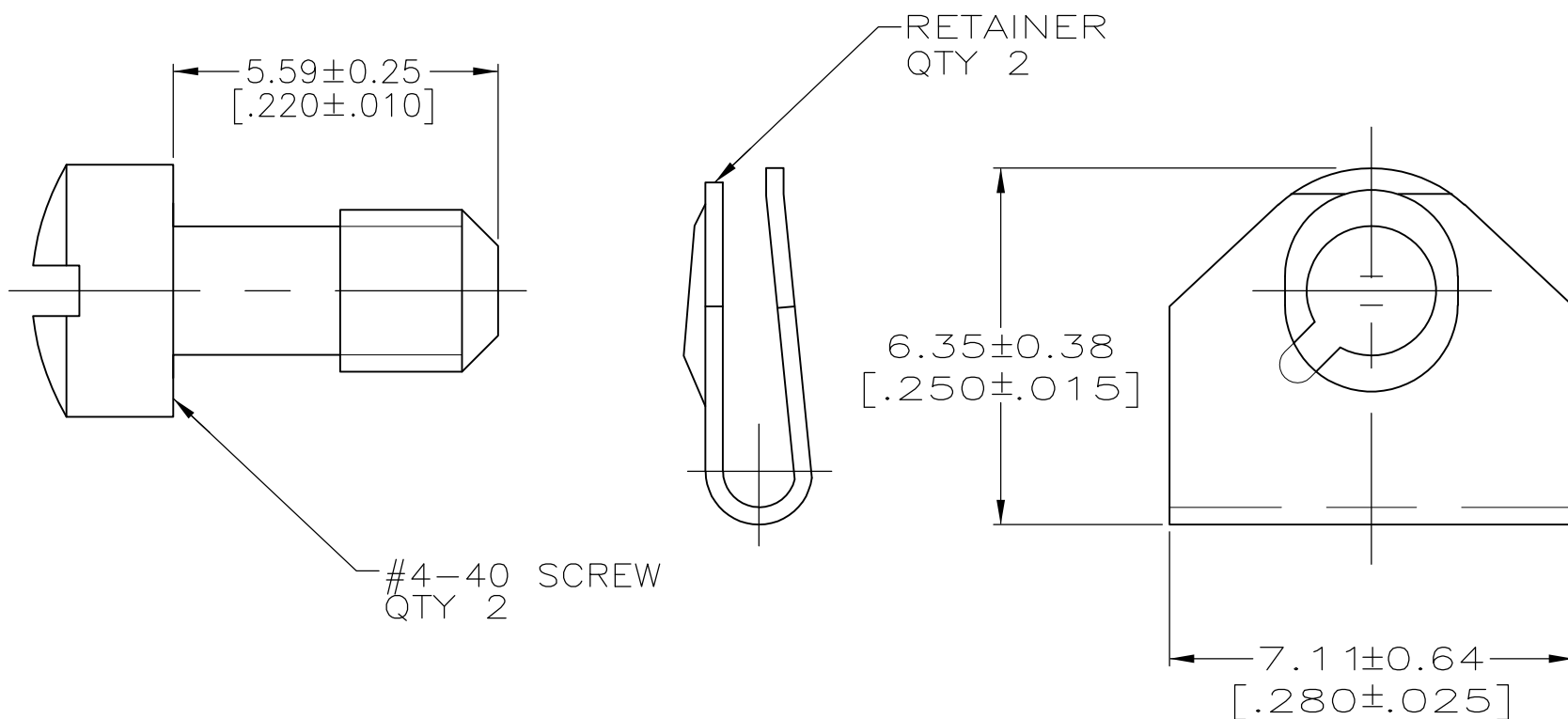
© COPYRIGHT - By -

ALL RIGHTS RESERVED.

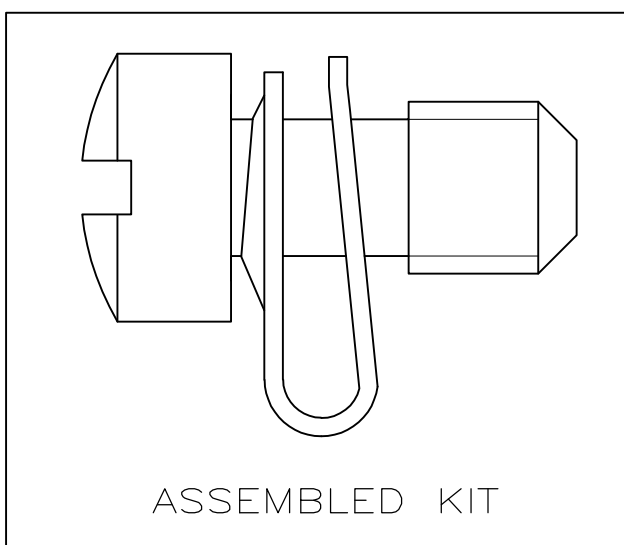
LOC GP DIST 00

REVISIONS

P	LTR	DESCRIPTION	DATE	DWN	APVD
P		REVISED PER ECO-11-004835	11MAR11	RK	HMR



- 1. PARTS PACKAGED UNASSEMBLED.
- 2. STAINLESS STEEL PER ASTM A666.
- 3. PACKAGING MARKED WITH TE CONNECTIVITY, PART NO & DATE CODE.
- 4. ZINC PLATED .000200-.000400 THICK YELLOW CHROMATE COATING.
- 5. ZINC PLATED .000200-.000400 THICK CLEAR CHROMATE COATING.
- 6. PARTS INDIVIDUALLY BULK PACKED AND SHIPPED AS A UNIT PACKAGE.
- 7. PARTS PACKAGED AS A UNIT KIT.



3	6	5	5205980-5
3	7	5	5205980-4
3	6	4	5205980-3
3	7	4	5205980-1
MARKING	PACKAGING	SCREW FINISH	PART NO

THIS DRAWING IS A CONTROLLED DOCUMENT.		DWN S.WAITMAN 27JUN05	STE TE Connectivity			
DIMENSIONS: mm [INCHES]		CHK C.ROHDE 27JUN05				
TOLERANCES UNLESS OTHERWISE SPECIFIED:		APVD M.WALMSLEY 27JUN05	NAME			
0 PLC ± -		PRODUCT SPEC	KIT, SCREW RETAINER			
1 PLC ± -		APPLICATION SPEC	-			
2 PLC ± 0.13 [.005]		WEIGHT	SIZE	CAGE CODE	DRAWING NO	RESTRICTED TO
3 PLC ± -		—	A3	00779	C-5205980	—
4 PLC ± -		FINISH	CUSTOMER DRAWING			
ANGLES ± -		SCREWS: SEE TABLE	SCALE	SHEET	REV	
MATERIAL		SCREWS: CARBON STEEL	8:1	1 OF 1	P	
RETAINERS: 2						