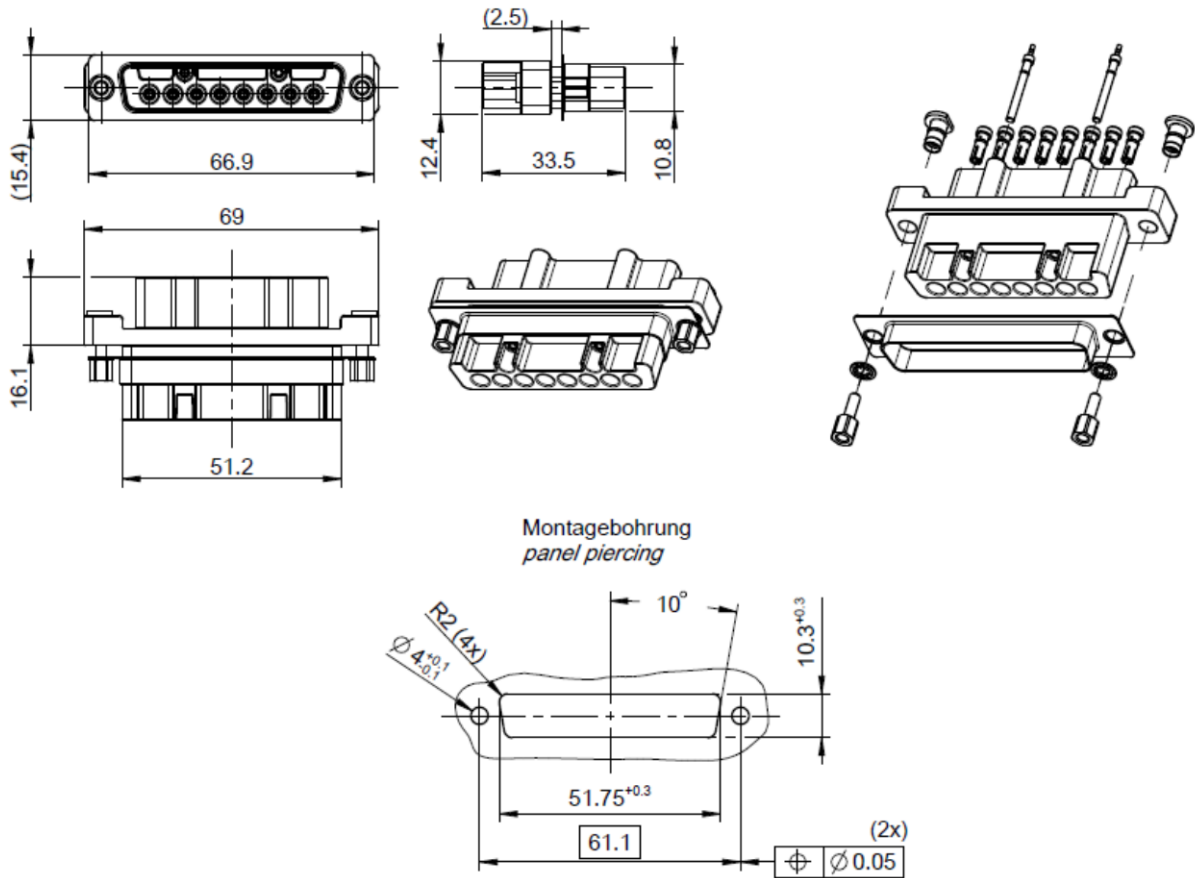


99

D-SUB High Voltage Connector
(Panel-Mount Receptacle)

99K076-299A5



All dimensions are in mm; tolerances according to ISO 2768 m-H

General data

Connector

D-SUB High Voltage Receptacle for panel-mount

8 pins for power transmission; solder type; wires max. AWG 28

2 pins for HVIL (High Voltage Interlock Loop);
solder/crimp type; wires max. AWG 26

Pluggable with D-SUB High Voltage receptacle 99S114-299A5

Documents

Rosenberger:

Applicable document	Designation
99K076-299	Production drawing
MA_99K076-299	Assembly instruction

Dieses Dokument ist urheberrechtlich geschützt • This document is protected by copyright • Rosenberger Hochfrequenztechnik GmbH & Co. KG

RF_35/05.10/6.0

99

D-SUB High Voltage Connector
(Panel-Mount Receptacle)

99K076-299A5

Material data

Connector parts

Contact pin
Signal pin
Insulator
Screw socket
D-Sub front
Screw

Material

Brass
Brass
Grivory XE4063
Brass
Steel
Steel

Plating

AuroDur®, gold plated
AuroDur®, gold plated
Gold over Nickel

RoHS

Compliant

Electrical data

High voltage pin:

Operating voltage 5,000 V rms
Peak voltage 7,000 V rms
Operating current 1.5 A
Peak current 2.0 A

HVIL pin:

Max. voltage 48 V rms
Max. current 1.5 A

Insulation resistance

≥ 5 x10³ MΩ

Mechanical data

Mating cycles

> 500

Environmental data

Temperature range

-25°C to + 75°C

Suitable cables

L45571-K12-G10

Rosenberger High voltage wire

Packing

Standard

1 pce in plastic bag
20 bags in box

Weight

33.8 g/pce

While the information has been carefully compiled to the best of our knowledge, nothing is intended as representation or warranty on our part and no statement herein shall be construed as recommendation to infringe existing patents. In the effort to improve our products, we reserve the right to make changes judged to be necessary.

Draft	Date	Approved	Date	Rev.	Engineering change number	Name	Date
H. Wurm	25.10.12	H. Wurm	24.10.17	a01	17-0004	H. Wurm	24.10.17

Rosenberger Hochfrequenztechnik GmbH & Co. KG
P.O.Box 1260 D-84526 Tittmoning Germany
www.rosenberger.de

Tel. : +49 8684 18-0
Fax : +49 8684 18-499
Email : info@rosenberger.de

Page
2 / 2