

4

3

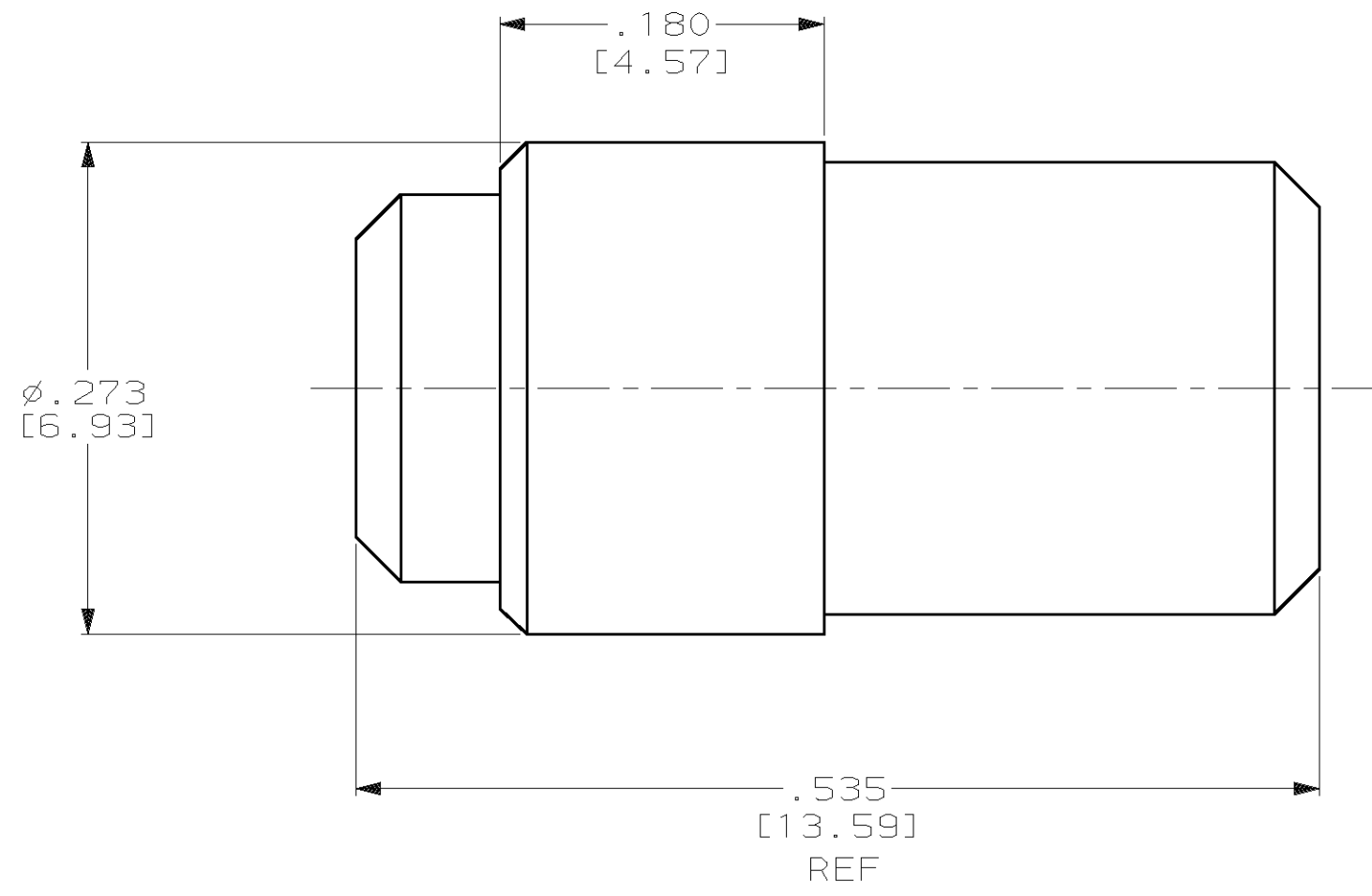
2

1

THIS DRAWING IS UNPUBLISHED. RELEASED FOR PUBLICATION, 19 .

© COPYRIGHT 19 BY AMP INCORPORATED. ALL RIGHTS RESERVED.

LOC		DIST		REVISIONS			
P	LTR	DESCRIPTION		DATE	DWN	APVD	
	0	RELEASED		11-02	CT	SG	



1. FOR USE IN ARINC 600 OR ARINC 404 REAR RELEASE SIZE 5 PIN CONTACT CAVITY.

1663132-1
PART NO.

THIS DRAWING IS A CONTROLLED DOCUMENT.		DWN C.C. THOMAS 11-19-02	tyco TYCO Electronics Harrisburg, PA 17105-3608													
DIMENSIONS: INCHES [mm]		CHK S. GLATFELTER 11-19-02	NAME													
TOLERANCES UNLESS OTHERWISE SPECIFIED:		APVD S. GLATFELTER 11-19-02	FILLER PLUG, SIZE 5, ARINC 600													
<table border="0"> <tr><td>0 PLC</td><td>±-</td></tr> <tr><td>1 PLC</td><td>±-</td></tr> <tr><td>2 PLC</td><td>±-</td></tr> <tr><td>3 PLC</td><td>±.005 [0.13]</td></tr> <tr><td>4 PLC</td><td>±-</td></tr> <tr><td>ANGLES</td><td>±-</td></tr> </table>		0 PLC	±-	1 PLC	±-	2 PLC	±-	3 PLC	±.005 [0.13]	4 PLC	±-	ANGLES	±-	PRODUCT SPEC -	SIZE	CAGE CODE
0 PLC	±-															
1 PLC	±-															
2 PLC	±-															
3 PLC	±.005 [0.13]															
4 PLC	±-															
ANGLES	±-															
MATERIAL TEFLON PER ASTM-D-1457		FINISH -	APPLIC. SPEC -	DRAWING NO A3 00779 C- 1663132												
		WEIGHT -	RESTRICTED TO -													
		CUSTOMER DRAWING		SCALE 10:1 SHEET 1 OF 1 REV 0												