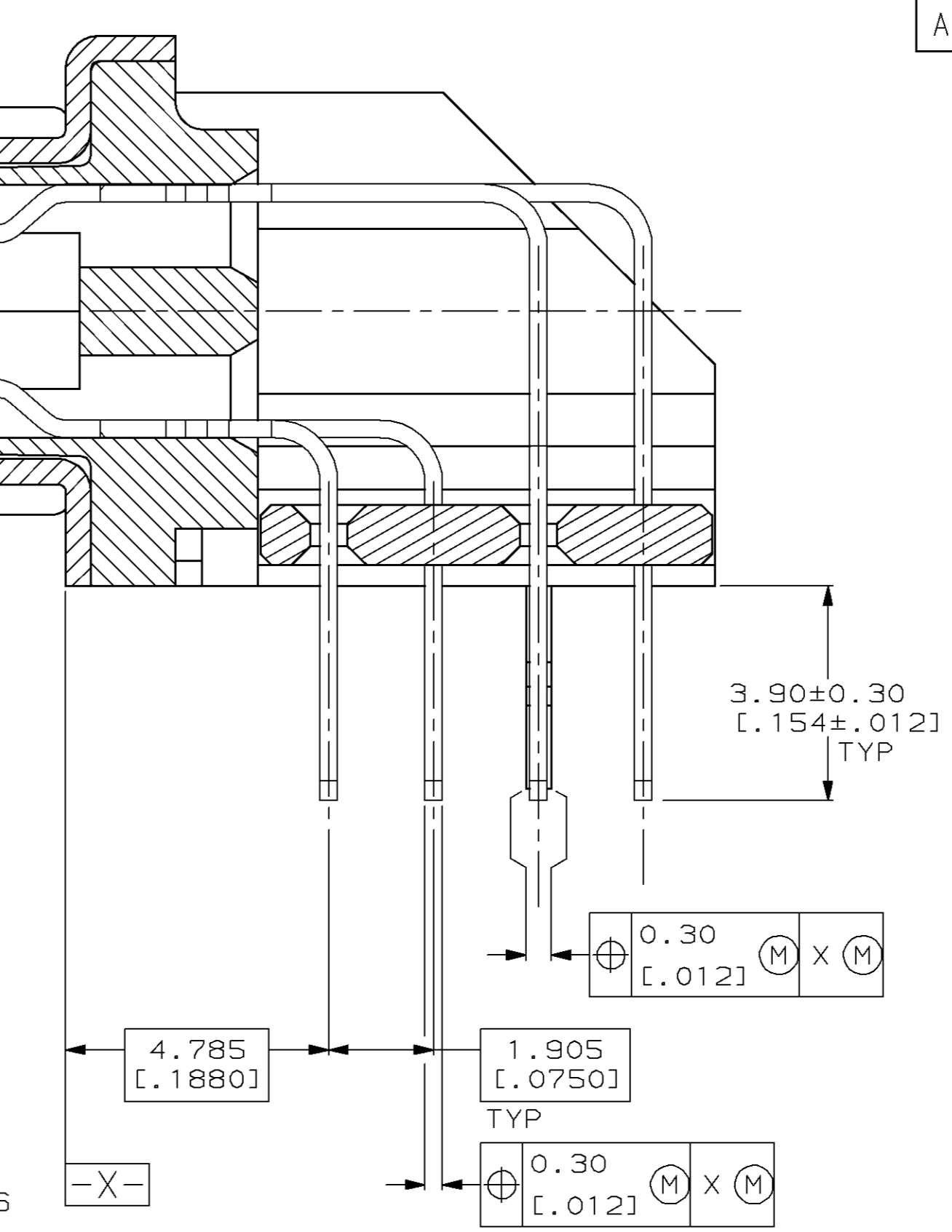
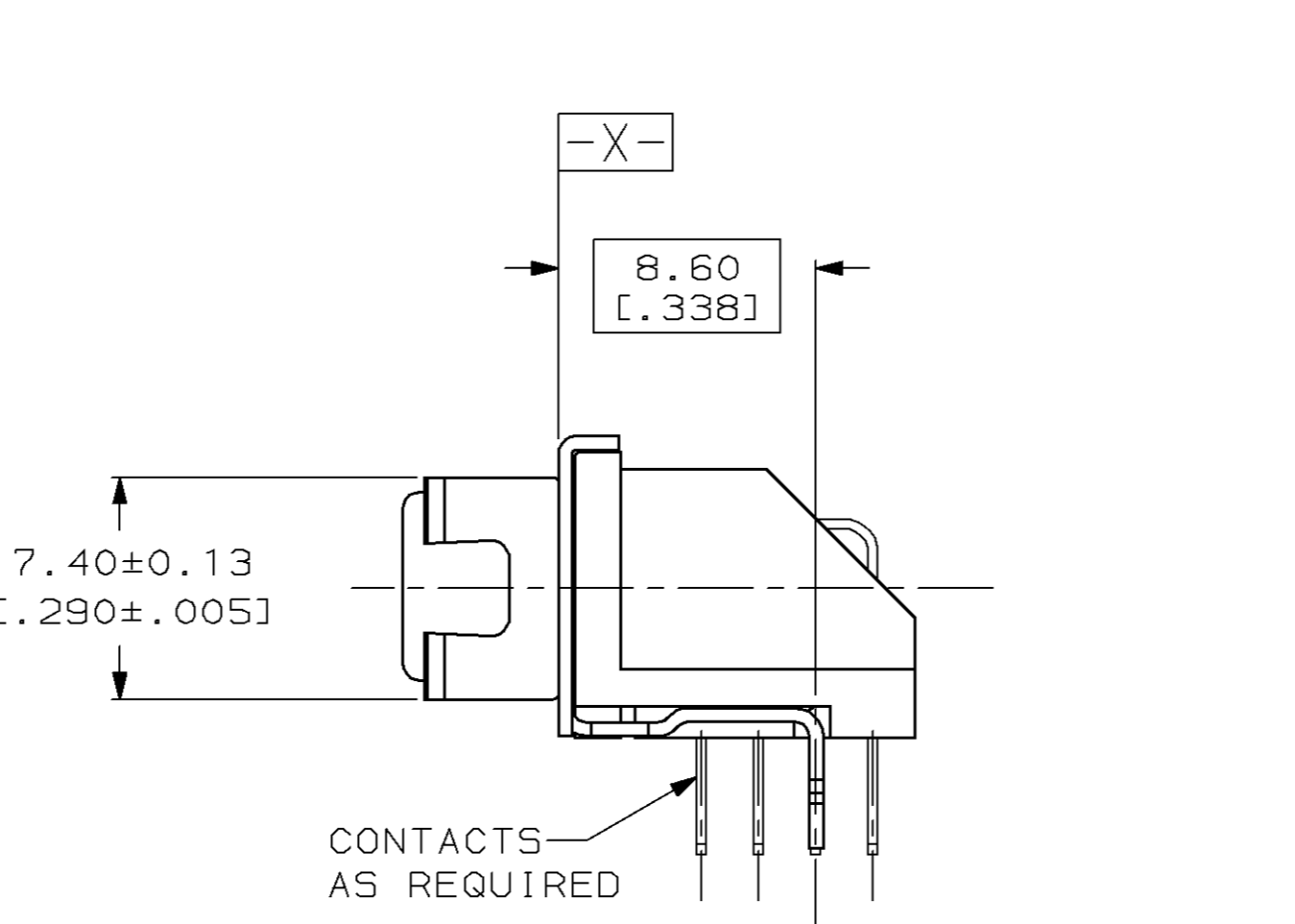
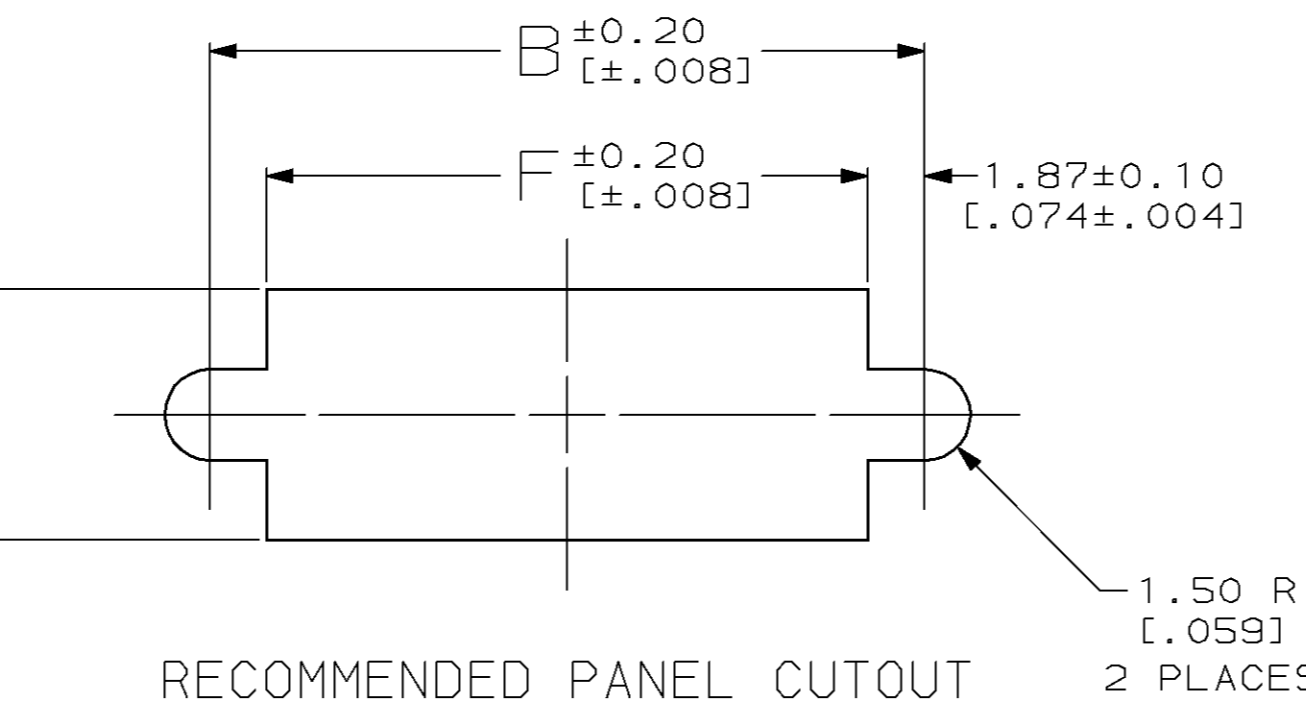
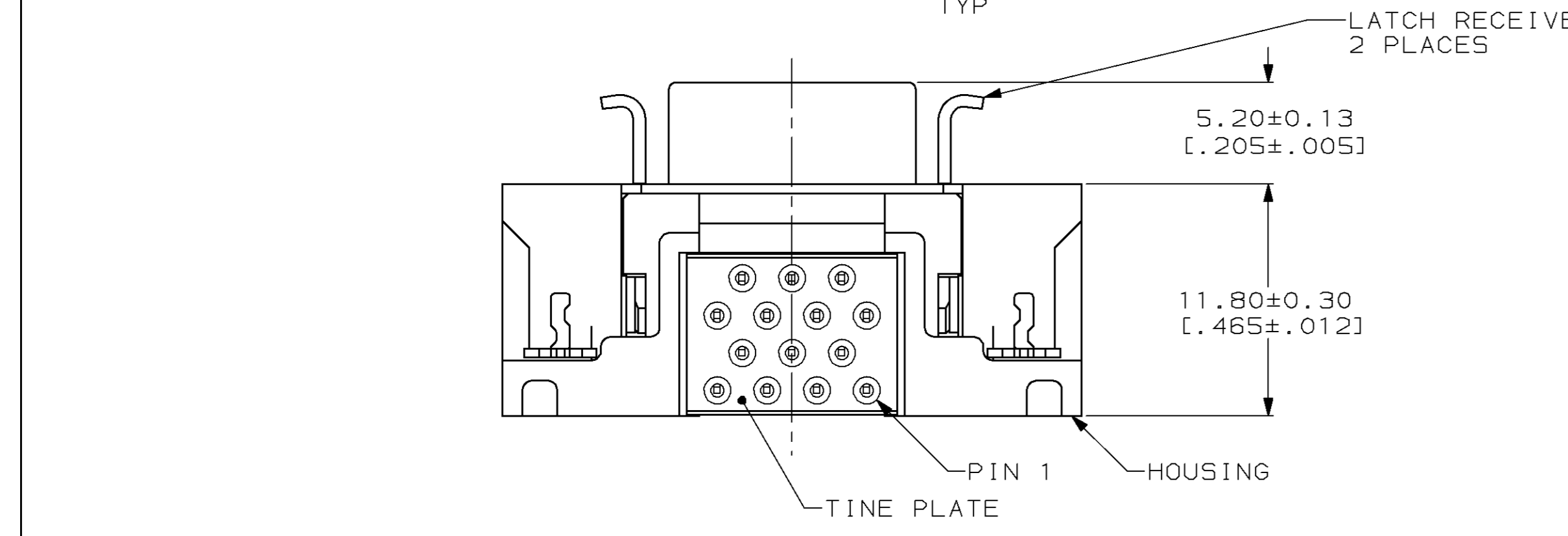
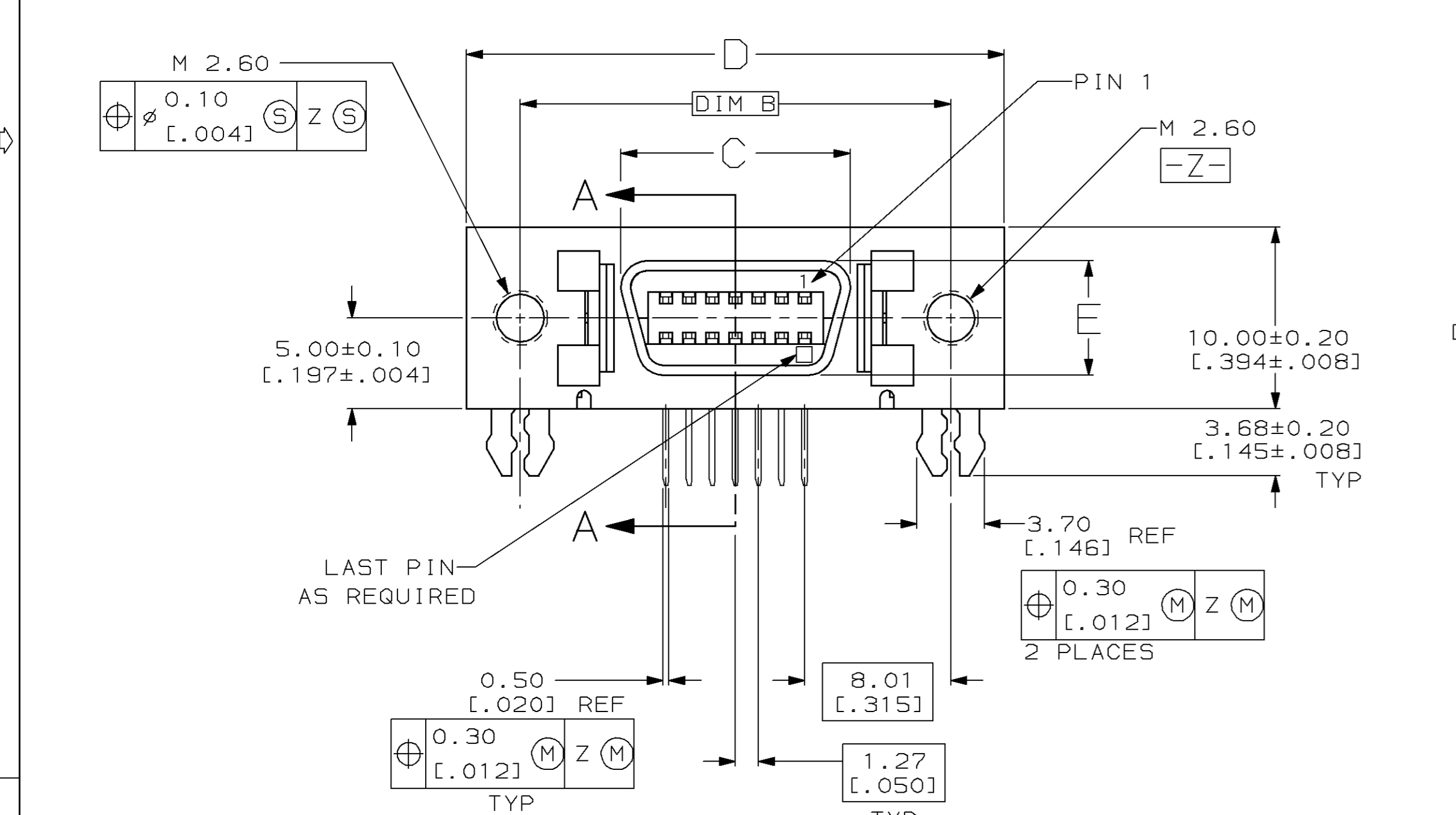
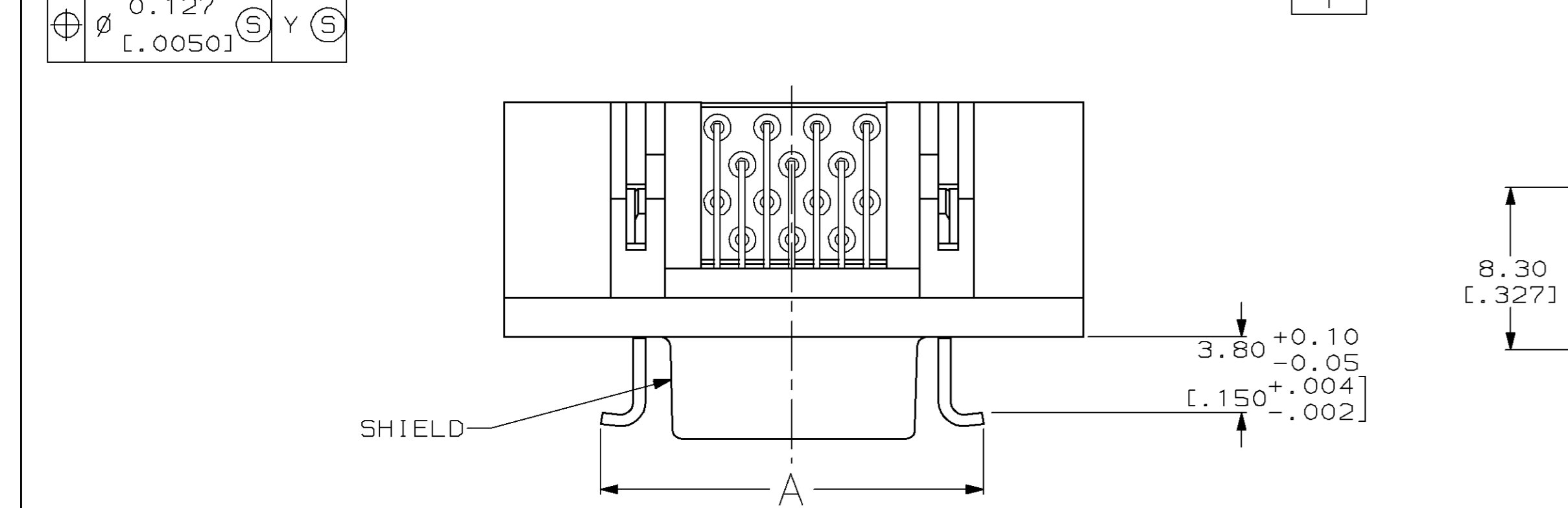
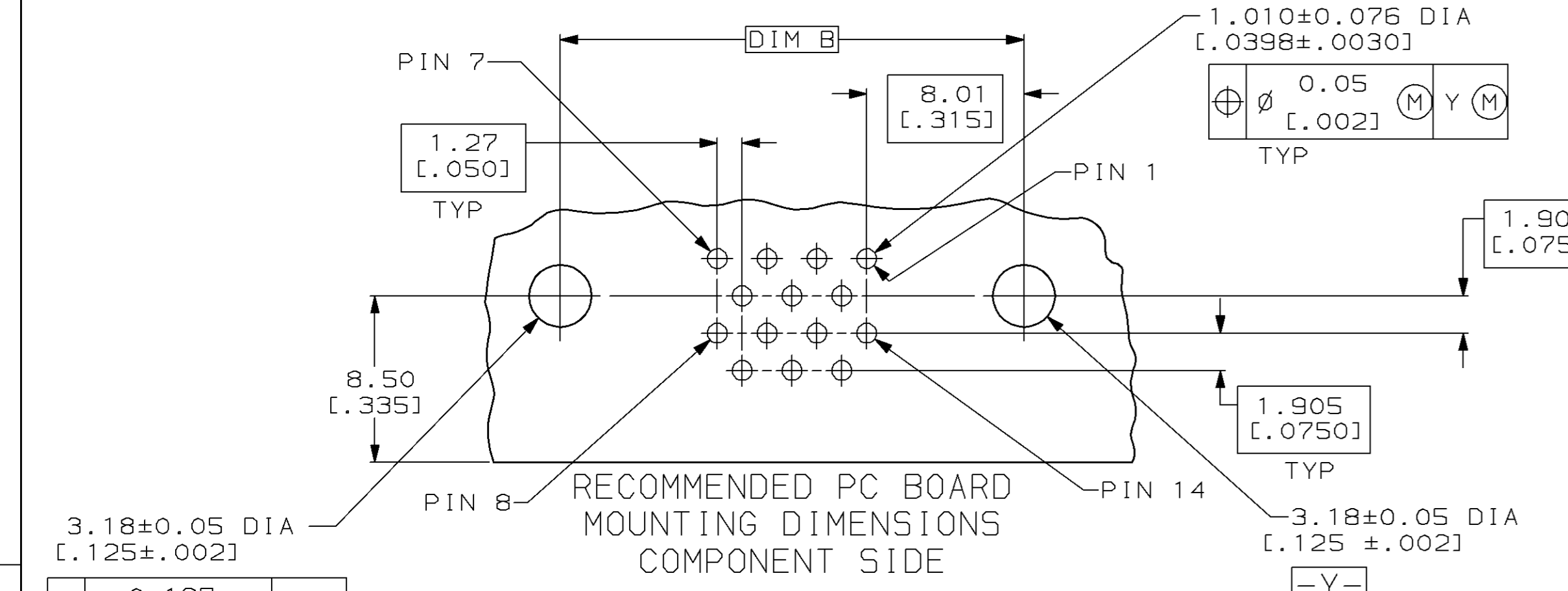


LOC	DIST	P	F	ZONE	LTR	DESCRIPTION	DATE	APPD
AR	84							
				B		REV; EC 014-9026-92 & 0210-47-93	2/25/93	JHM
				B1		REV PER EC 0020-562-93	05/10/93	JS
				C		REV PER EC 0020-1517-93	12/17/93	TS
				D		SUPSD -5 PER EC 0020-496-94	06/01/94	TS
				E		REV PER EC 0020-1441-94	01/11/95	ME
				F		REV PER EC 0020-0281-95	04/17/95	DB
				G		OBS -2, -4, & -5 PER EC 0020-0787-95	26 JUL 95	JS
				H		OBS -1 PER EC 0410-174-96	19 AUG 97	DB
				J		REV PER EC 0410-305-97	21 AUG 97	DB



SECTION A-A
SCALE 10:1

- △ MATERIALS:
 HOUSING AND TINE PLATE - GLASS FILLED LCP, BLACK.
 CONTACTS - 0.3175[.01250] THICK PHOSPHOR BRONZE, PLATED ALL OVER WITH NICKEL, SEE TABLE FOR MINIMUM THICKNESS, GOLD PLATE IN CONTACT AREA SEE TABLE FOR MINIMUM THICKNESS, AND TIN-LEAD PLATED 3.81µm [.000150] MINIMUM THICK ON SOLDER TINES.
 SHIELD - 0.46 [.018] THICK CARBON STEEL PLATED 5.08µm [.000200] MINIMUM NICKEL OVER 0.64µm [.000025] MINIMUM COPPER.
 LATCH RECEIVER - STAINLESS STEEL 0.635 [.0250] THICK.
2. 14 POSITION SHOWN.
 △ PACKAGED 19 PER TUBE.
 △ OBSOLETE PART NUMBER.

20.15 [0.793]	6.30±0.05 [.248±.002]	29.54±0.13 [1.163±.005]	12.60±0.13 [.496±.005]	23.64 [.931]	19.75±0.10 [.778±.004]	14	0.76µm [.000030]	1.27µm [.000050]	△ 557153-5 △
							1.27µm [.000050]	2.45µm [.000098]	557153-4 △
							0.76µm [.000030]	1.27µm [.000050]	557153-3
27.77 [1.093]	6.30±0.10 [.248±.004]	37.16±0.13 [1.463±.005]	20.22±0.13 [.796±.005]	31.26 [1.231]	27.30±0.10 [1.075±.004]	26	1.27µm [.000050]	2.45µm [.000098]	557153-2 △
							0.76µm [.000030]	1.27µm [.000050]	557153-1 △
F	E	D	C	B	A	POSITION	GOLD PLATING △	NICKEL PLATING △	PART NO

DO NOT SCALE PRINT.
 UNLESS SPECIFIED
 DIMENSIONS IN mm [INCHES]
 TOLERANCES ON:
 2 PLC DEC ± -
 3 PLC DEC ± -
 ANGLES ± -

MATERIAL △

FINISH △

DR 9/13/91
 JOEL HAROLD WOOTEN

CHK 3-3-92
 B. FOX

APPD 3-3-92
 D. WOLLA

APPD 3/4/92
 E. MARSH

PRODUCT SPEC -

APPLICATION SPEC -

WEIGHT -

AMP AMP Incorporated
 Harrisburg, PA 17105-3608

NAME
 RECEPTACLE ASSEMBLY,
 RIGHT ANGLE, SHIELDED,
 CHAMP™ .050, SERIES 11

SIZE D
 CAGE CODE 00779
 DRAWING NO C-557153

SCALE 4:1
 SHEET 1 OF 1

THIS DRAWING IS A CONTROLLED DOCUMENT FOR AMP INCORPORATED. IT IS SUBJECT TO CHANGE AND THE CONTROLLING ENGINEERING ORGANIZATION SHOULD BE CONTACTED FOR THE LATEST REVISION.