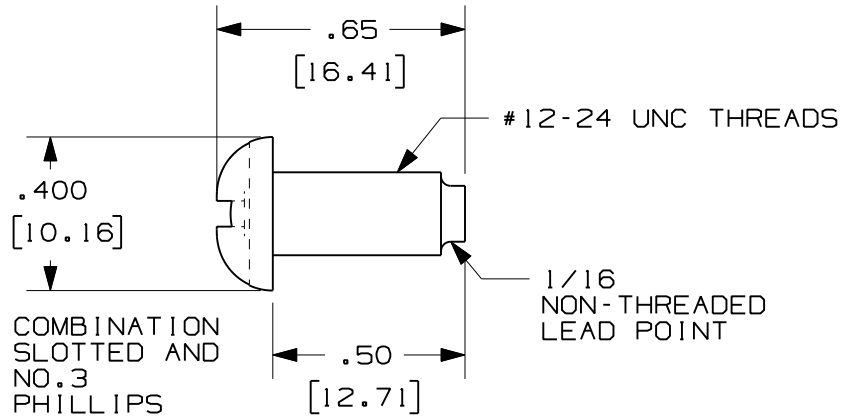
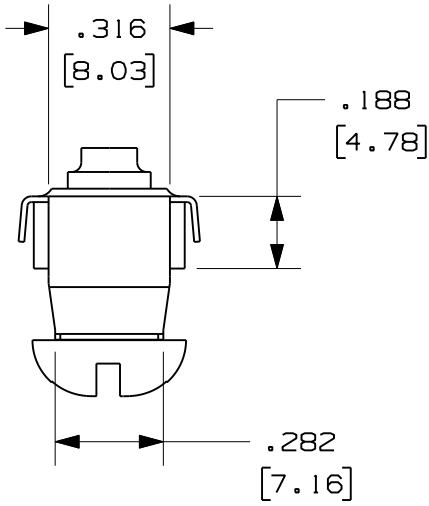
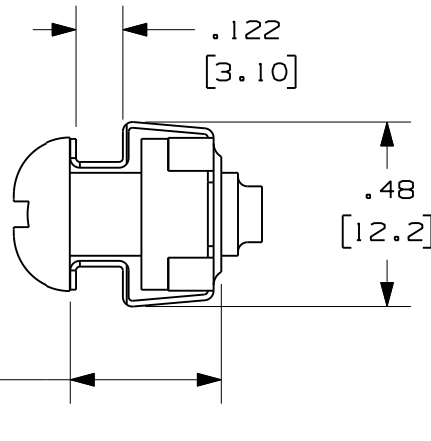
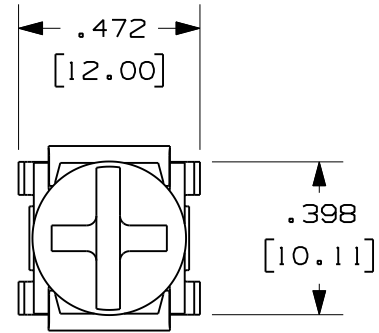


THIS COPY IS PROVIDED ON A RESTRICTED BASIS AND IS NOT TO BE USED IN ANY WAY DETRIMENTAL TO THE INTERESTS OF PANDUIT CORP.



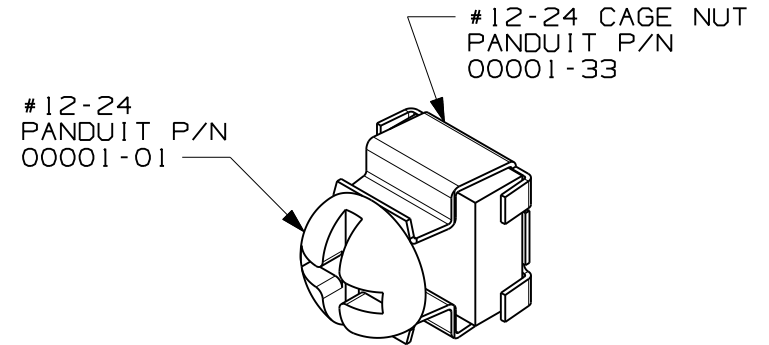
CAGE NUT REMOVED FROM VIEW FOR CLARITY



PANDUIT P/N	WEIGHT
CNWS1224-C	1.59 LBS/EACH 0.72 Kg/EACH

NOTES:

- VISIT OUR ON-LINE CATALOG AT [WWW.PANDUIT.COM](http://WWW.PANDUIT.COM) FOR A LIST OF CURRENT PARTS APPLICABLE FOR USE WITH THIS PRODUCT.
- DIMENSIONS IN PARENTHESES ARE METRIC (mm).
- PARTS SUPPLIED:  
(100) - #12-24 ROUND HEAD SCREW  
(100) - #12-24 CAGE NUT



PARTS SHOWN ASSEMBLED FOR REFERENCE ONLY

MODEL FILENAME	V10293UK/00.PRT
CAD FILENAME/LAYERS	V10293UK_DC/00A.PRT

PANDUIT CORP. TINLEY PARK, ILLINOIS

#12-24 CAGE NUT WITH SCREW-KIT CUSTOMER DRAWING

UNLESS OTHERWISE SPECIFIED, DIMENSIONAL TOLERANCES ARE:		UNLESS OTHERWISE SPECIFIED, ALL DIMENSIONS ARE GIVEN IN INCHES, THIRD ANGLE PROJECTION.	
INCHES	[METRIC - MILLIMETER]	ANGLE	
X.X +/- 0.03	X +/- 0.8		
X.XX +/- 0.015	X.X +/- 0.4	+/- 1°	
X.XXX +/- 0.005	X.XX +/- 0.13		

DRAWN BY TMW	MAT'L:  SEE NOTES	SCALE 2:1
DATE 5-23-08		DRAWING NO. V10293UK
CHK'D		DWG A SIZE

REV	DATE	BY	CHK	DESCRIPTION	ECN	R	CUST	SUP	OTH
OOA	5-23-08	TMW		RELEASED TO PRODUCTION	V10293UK				