

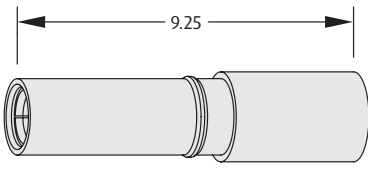
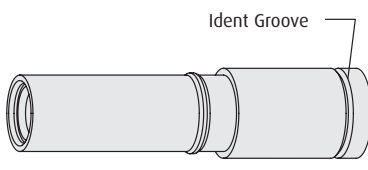
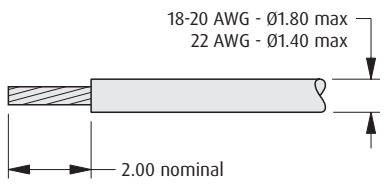
M300 Connectors

Female Cable Connector Contacts

- ❖ 4-finger Beryllium Copper contact.
- ❖ Crimp barrel meets all crimp guidelines and standards.
- ❖ 10A current capacity, resists high vibration and shock.
- ❖ Withstands extremes of temperature: -65°C to +175°C.



M300

CONTACTS	WIRE STRIPPING DETAILS
<p>18-20 AWG</p>  <p>22 AWG</p> 	 <p>18-20 AWG - Ø1.80 max 22 AWG - Ø1.40 max</p> <p>2.00 nominal</p>

TOOLS

Recommended Crimp Tool - M22520/2-01
Positioner - Z80-058
Contact Insertion/Removal Tool - Z300-902

- ❖ Female crimp housings shown on previous page.
- ❖ Instruction sheets available at www.harwin.com/instructions.

HOW TO ORDER

M300 - 00X 00 45

SERIES CODE

TYPE

001	18-20 AWG crimp contact
002	22 AWG crimp contact

FINISH

45 Gold

All dimensions in mm.