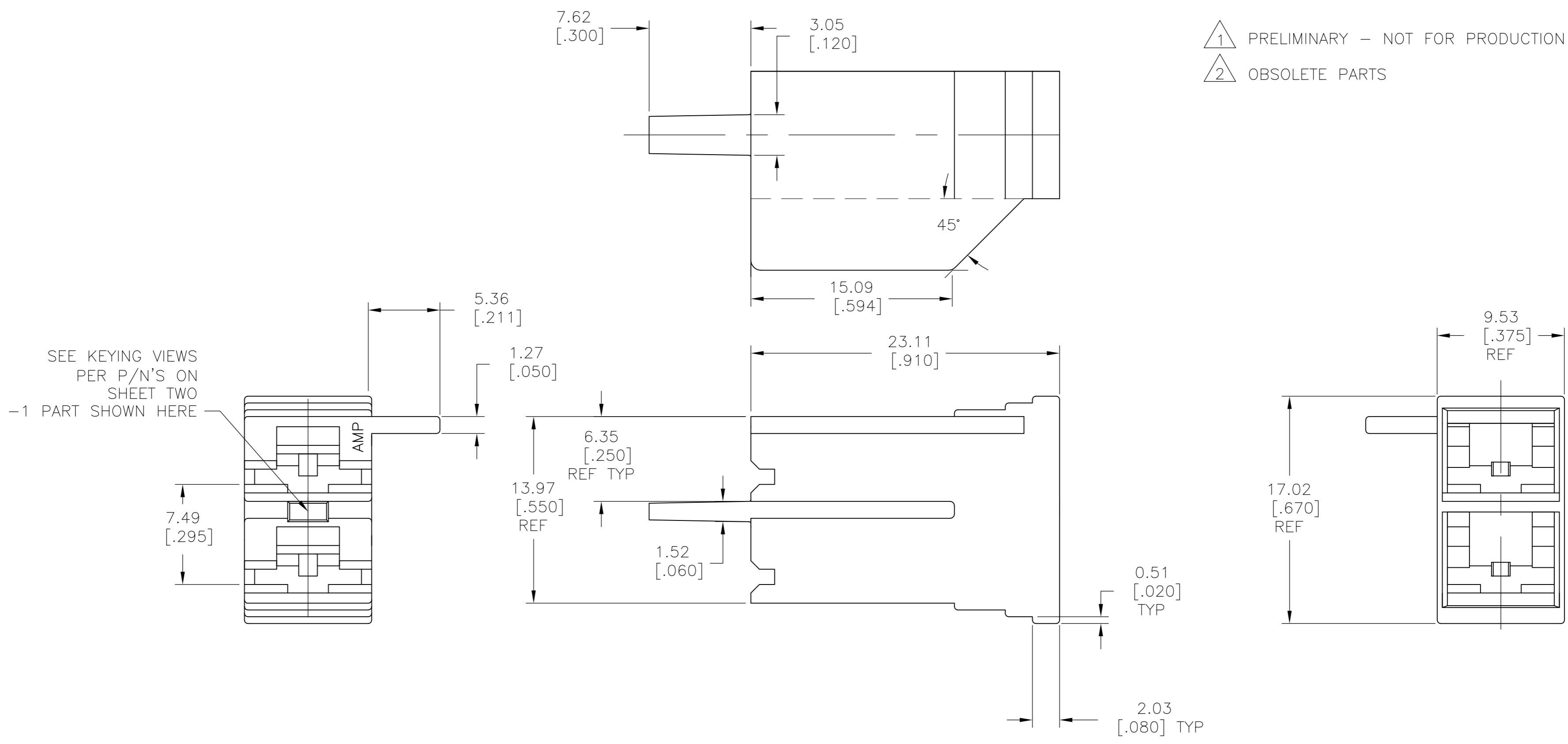


THIS DRAWING IS UNPUBLISHED. RELEASED FOR PUBLICATION
 © COPYRIGHT - TE Connectivity Ltd. ALL RIGHTS RESERVED.

REVISIONS					
P	LTR	DESCRIPTION	DATE	DWN	APVD
A4		REVISED PER ECR-18-002453	02MAR2018	BDA	DS



1 PRELIMINARY - NOT FOR PRODUCTION
 2 OBSOLETE PARTS

COLOR	MATERIAL	PART NO
RED	66 NYLON, V0	1 1969232-5
GREEN	66 NYLON, V0	1969232-4
YELLOW	66 NYLON, V0	1969232-3
BLACK	66 NYLON, V0	2 1969232-2
NATURAL	66 NYLON, V0	1969232-1

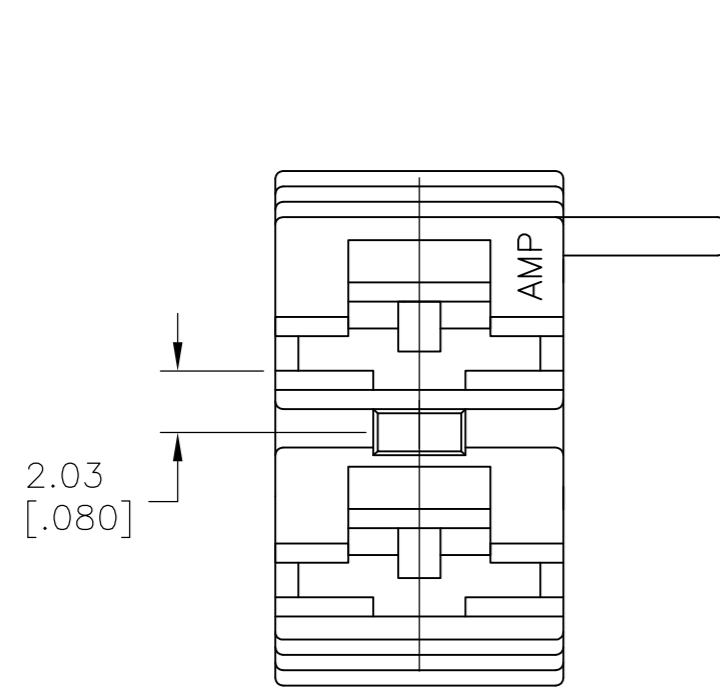
THIS DRAWING IS A CONTROLLED DOCUMENT.

DWN	jr ruth	16DEC08
CHK	P DESANTIS	16DEC08
APVD	P DESANTIS	16DEC08
PRODUCT SPEC	NAME	
APPLICATION SPEC	HOUSING, RECEPTACLE, FASTON, .250 SERIES, 2 CIRCUIT	
WEIGHT	SIZE	CAGE CODE
	A2	00779
CUSTOMER DRAWING	DRAWING NO	RESTRICTED TO
	C=1969232	-
SCALE	SHEET	REV
4:1	1 OF 2	A4

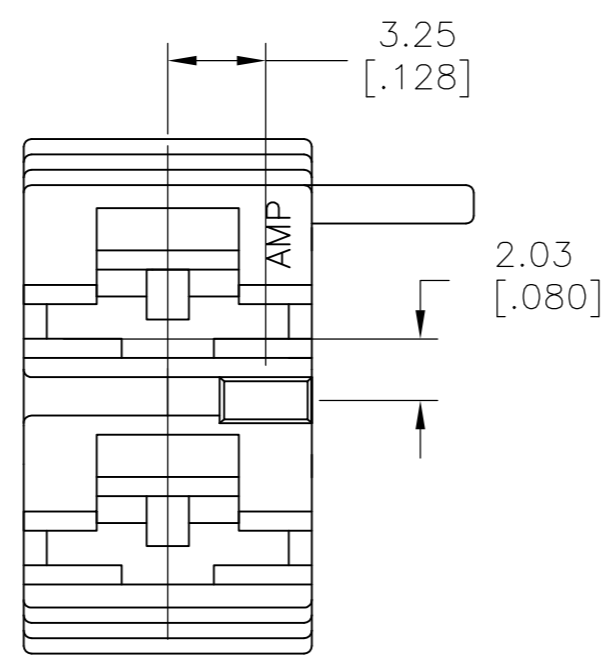
1969232

THIS DRAWING IS UNPUBLISHED. RELEASED FOR PUBLICATION
 © COPYRIGHT - TE Connectivity Ltd. ALL RIGHTS RESERVED.

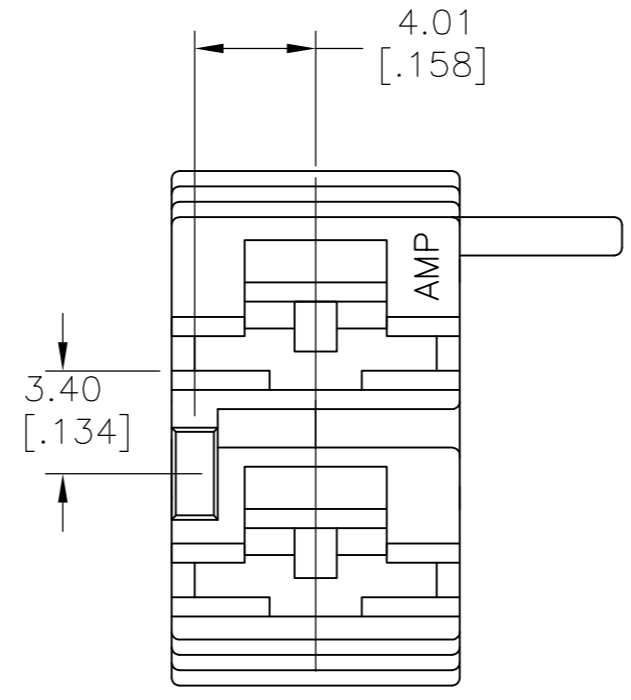
REVISIONS					
P	LTR	DESCRIPTION	DATE	DWN	APVD
-	-	SEE SHEET 1	-	-	-



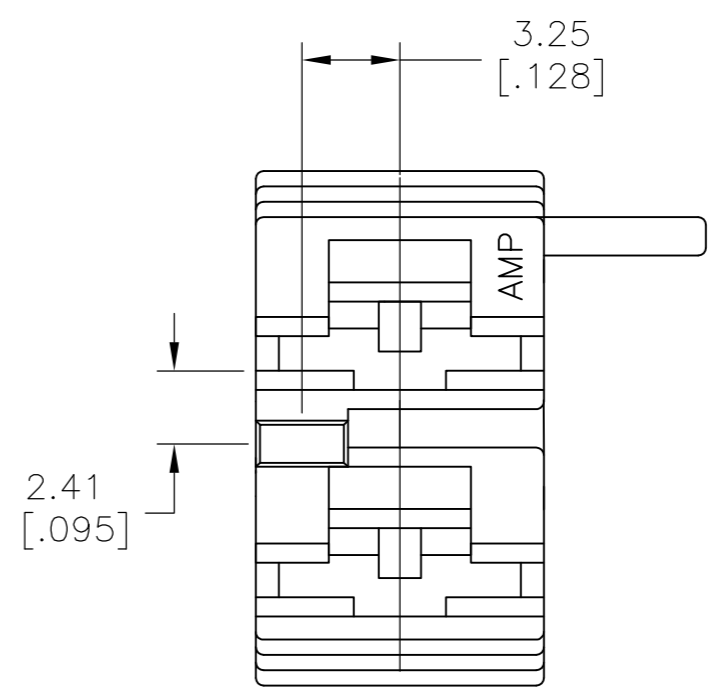
KEYING FOR -1
TAB ENTRY VIEW
NATURAL



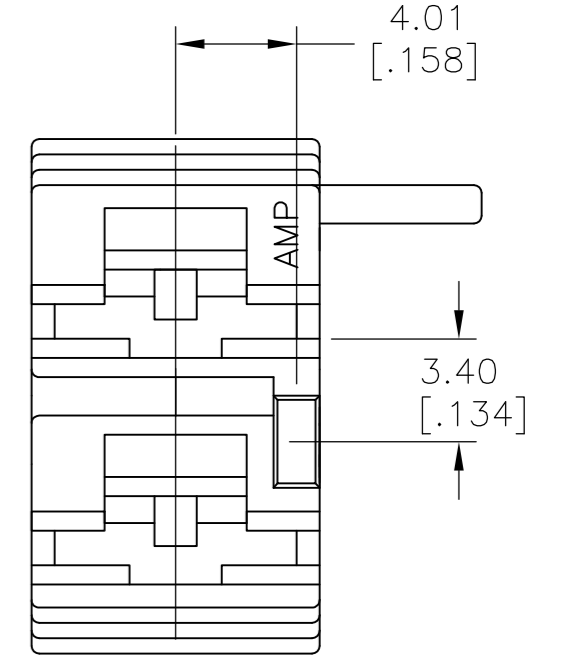
KEYING FOR -2
TAB ENTRY VIEW
BLACK



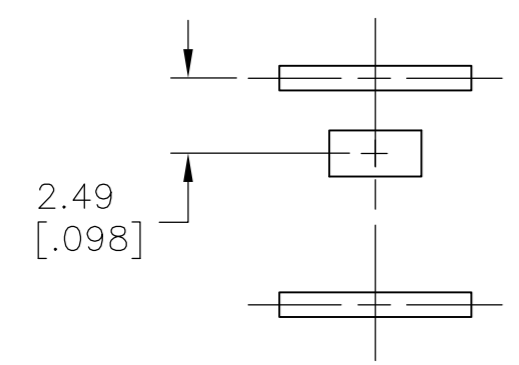
KEYING FOR -3
TAB ENTRY VIEW
YELLOW



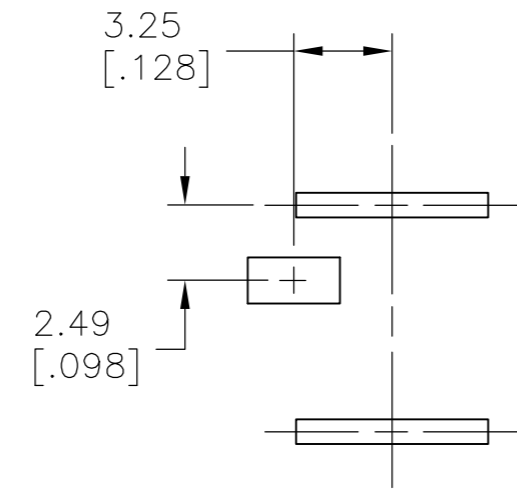
KEYING FOR -4
TAB ENTRY VIEW
GREEN



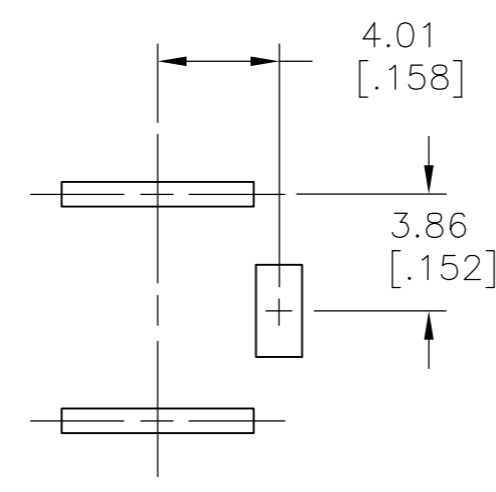
KEYING FOR -5
TAB ENTRY VIEW
RED



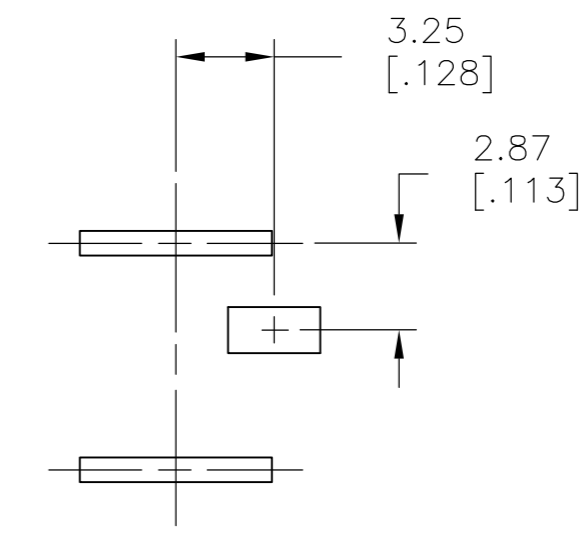
SUGGESTED
PC BOARD
CIRCUIT FOR
1969232-1



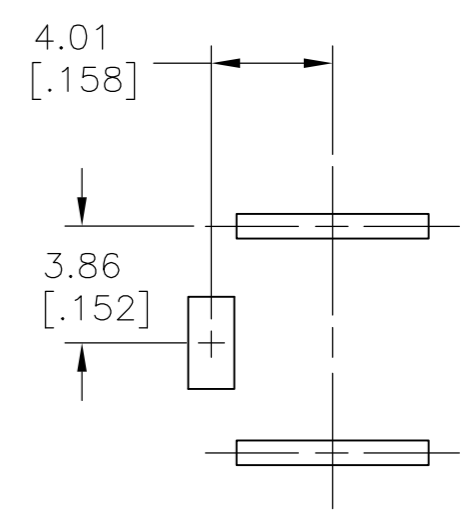
SUGGESTED
PC BOARD
CIRCUIT FOR
1969232-2



SUGGESTED
PC BOARD
CIRCUIT FOR
1969232-3



SUGGESTED
PC BOARD
CIRCUIT FOR
1969232-4



SUGGESTED
PC BOARD
CIRCUIT FOR
1969232-5

THIS DRAWING IS A CONTROLLED DOCUMENT.		DWN jr ruth 16DEC08	TE Connectivity Ltd.	
DIMENSIONS: mm [INCHES]		CHK P DESANTIS 16DEC08		
TOLERANCES UNLESS OTHERWISE SPECIFIED:		APVD P DESANTIS 16DEC08	NAME HOUSING, RECEPTACLE, FASTON, .250 SERIES, 2 CIRCUIT	
0 PLC ± - 1 PLC ± - 2 PLC ± 0.25 [.010] 3 PLC ± - 4 PLC ± - ANGLES ± 5°		PRODUCT SPEC -	SIZE A2	CAGE CODE 00779
MATERIAL SEE TABLE		FINISH SEE TABLE	DRAWING NO C=1969232	RESTRICTED TO -
CUSTOMER DRAWING		WEIGHT -	SCALE 4:1	SHEET 2 OF 2
			REV A4	