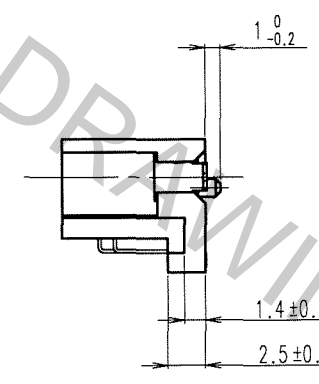
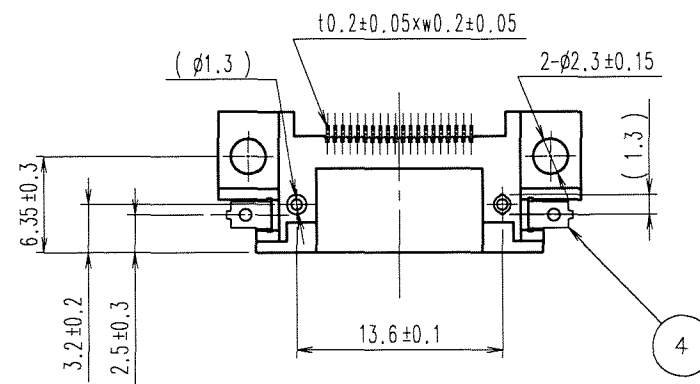
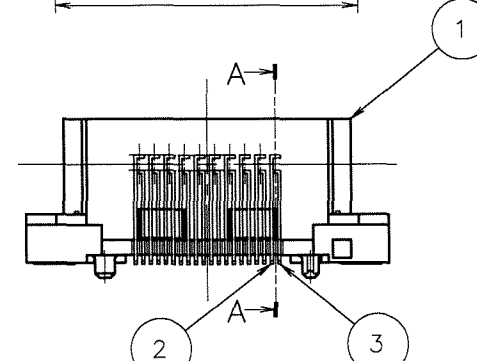
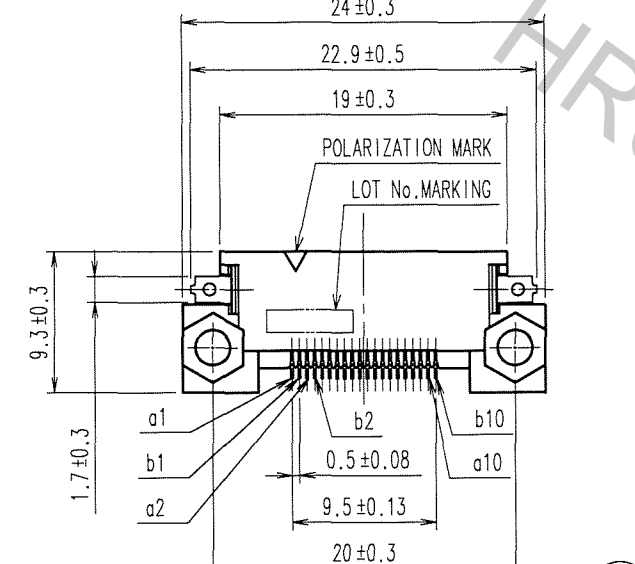
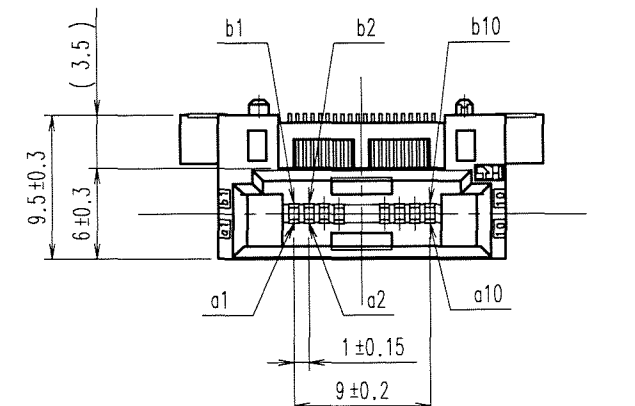
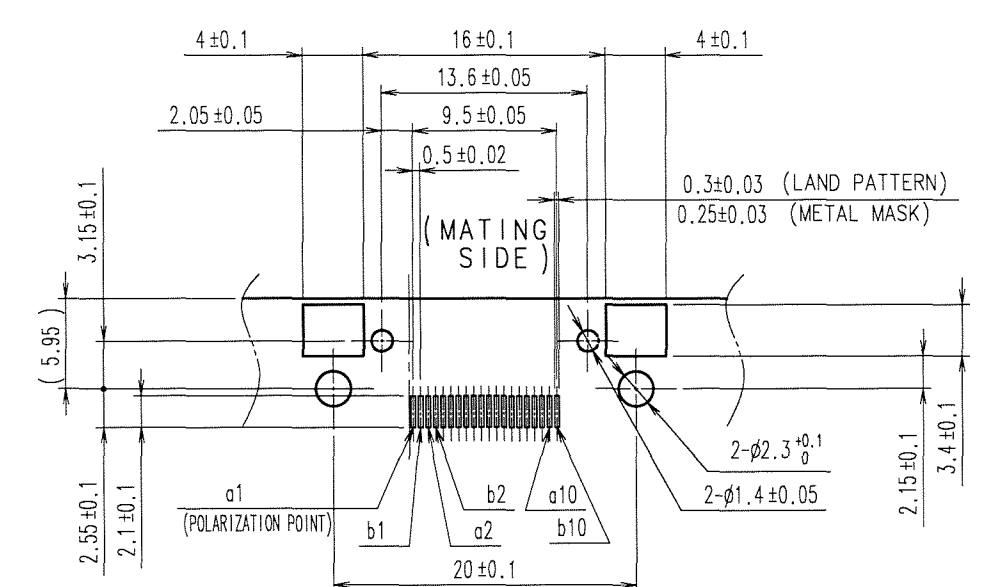


Apr.1.2017 Copyright 2017 HIROSE ELECTRIC CO., LTD. All Rights Reserved.

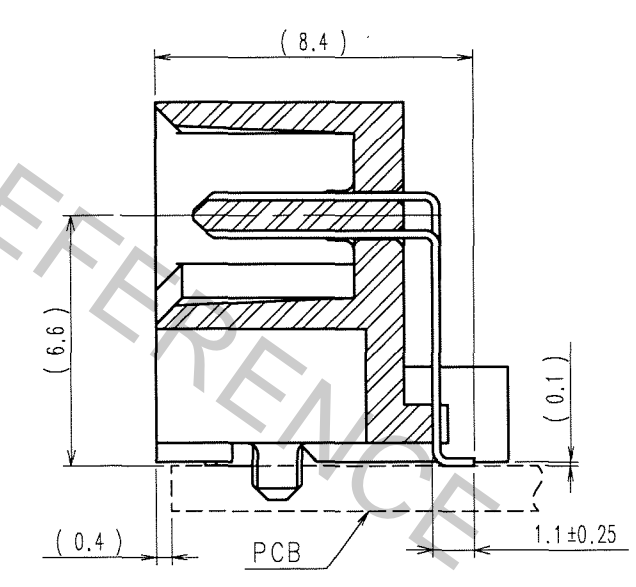
COUNT	DESCRIPTION OF REVISIONS	BY	CHKD	DATE	COUNT	DESCRIPTION OF REVISIONS	BY	CHKD	DATE
△					△				
△					△				
△					△				



RECOMMENDED P.C.B. LAND PATTERN (MOUNTING SIDE)



A-A (5:1)



NOTE 1 LEAD CO-PLANARITY INCLUDING REINFORCED METAL FITTINGS TO BE 0.1 MAX.  
 2 NOTE THAT THE REFERENCE TIGHTENING TORQUE IS 0.15 N·m.  
 3 THE DIMENSIONS IN PARENTHESES ARE FOR REFERENCE.

TO

4	BRASS	TIN-PLATING	2, 3	BRASS	CONTACT AREA : GOLD 0.1μm min.
1	POLYAMIDE	BEIGE UL94V-0			LEAD AREA : TIN-PLATING 1μm min.
					UNDER PLATING : NICKEL 1μm min.
NO.	MATERIAL	FINISH, REMARKS	NO.	MATERIAL	FINISH, REMARKS
CODE NO. (OLD) CL		DRAWN K.DOI '06.09.30	DESIGNED K. Doi '06.10.04	CHECKED J. (Gyama) '06.10.04	APPROVED H. Okawa '06.10.04
SCALE 2 : 1 UNITS mm		DRAWING NO. EDC3-151388-21		PART NO. FX5-20P-SH3(71)	
HRS HIROSE ELECTRIC CO., LTD.		CODE NO. CL575-0041-1-71		1/1	