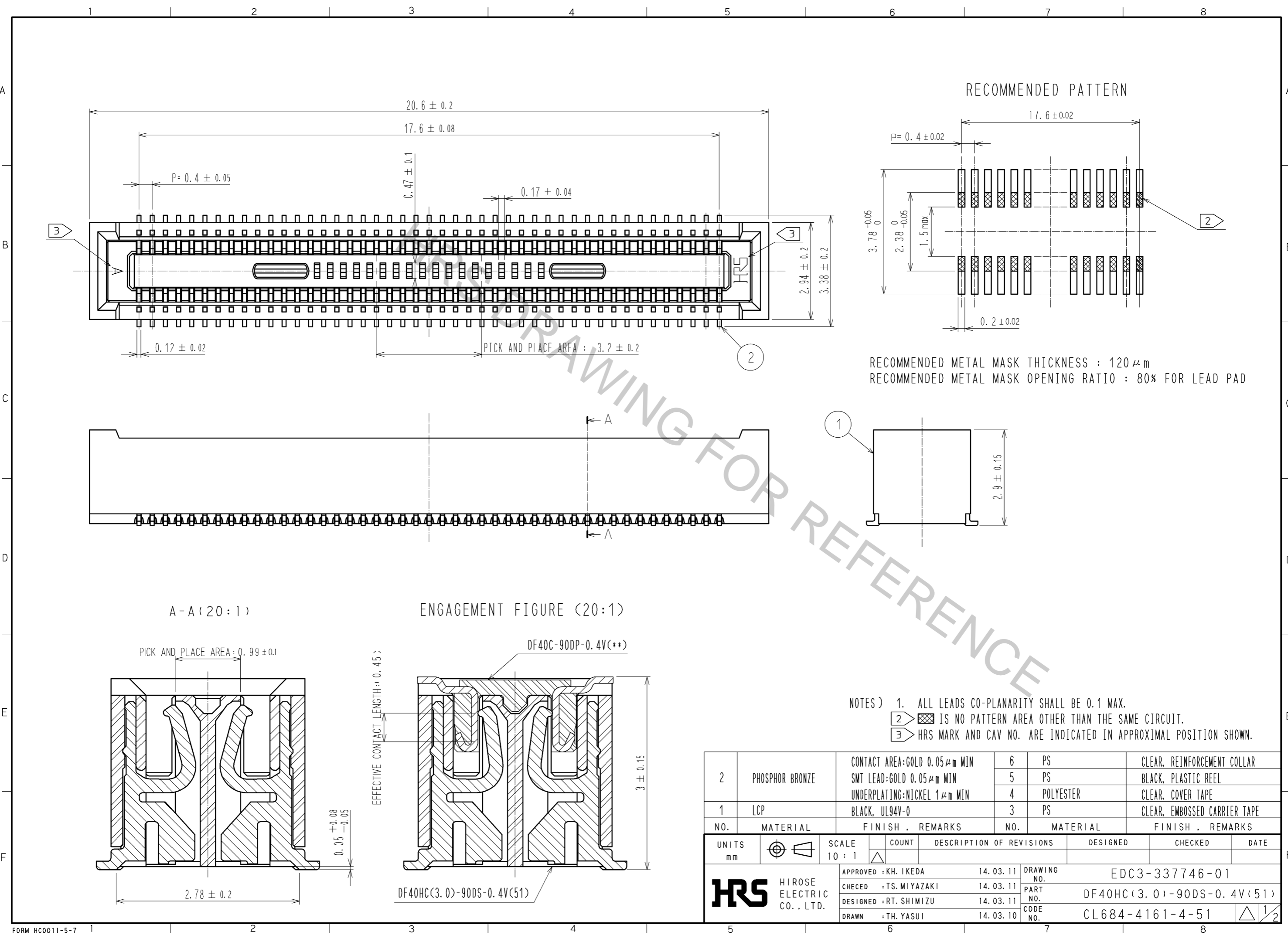


Apr.1.2017 Copyright 2017 HIROSE ELECTRIC CO., LTD. All Rights Reserved.



NO.	MATERIAL	FINISH . REMARKS	NO.	MATERIAL	FINISH . REMARKS
2	PHOSPHOR BRONZE	CONTACT AREA:GOLD 0.05 μm MIN SMT LEAD:GOLD 0.05 μm MIN UNDERPLATING:NICKEL 1 μm MIN	6	PS	CLEAR, REINFORCEMENT COLLAR
			5	PS	BLACK, PLASTIC REEL
			4	POLYESTER	CLEAR, COVER TAPE
1	LCP	BLACK, UL94V-0	3	PS	CLEAR, EMBOSSED CARRIER TAPE

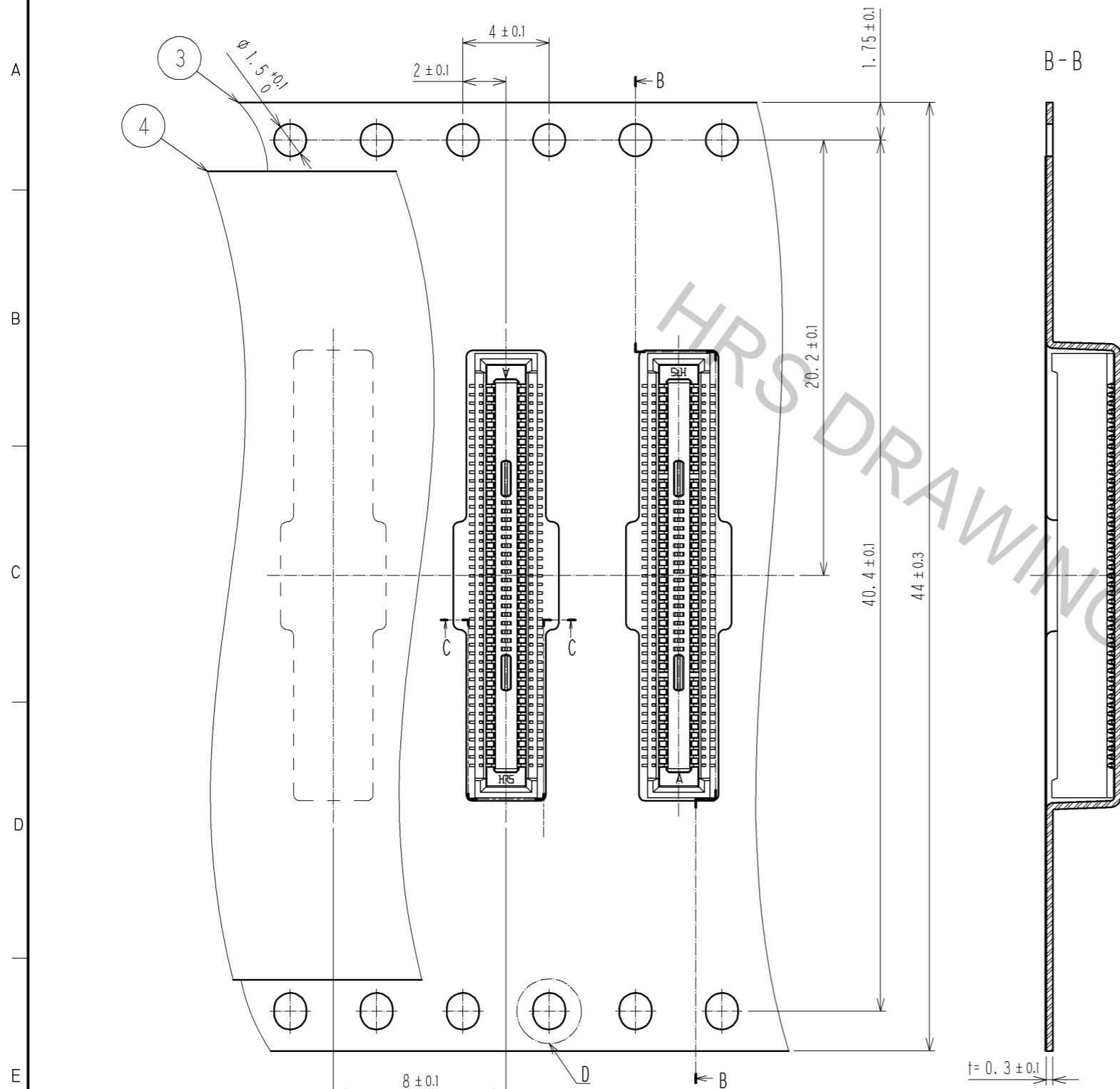
  

UNITS	SCALE	COUNT	DESCRIPTION OF REVISIONS	DESIGNED	CHECKED	DATE
mm	10 : 1	△	APPROVED : KH. IKEDA 14.03.11			
			CHECED : TS. MIYAZAKI 14.03.11			
			DESIGNED : RT. SHIMIZU 14.03.11			
			DRAWN : TH. YASUI 14.03.10			

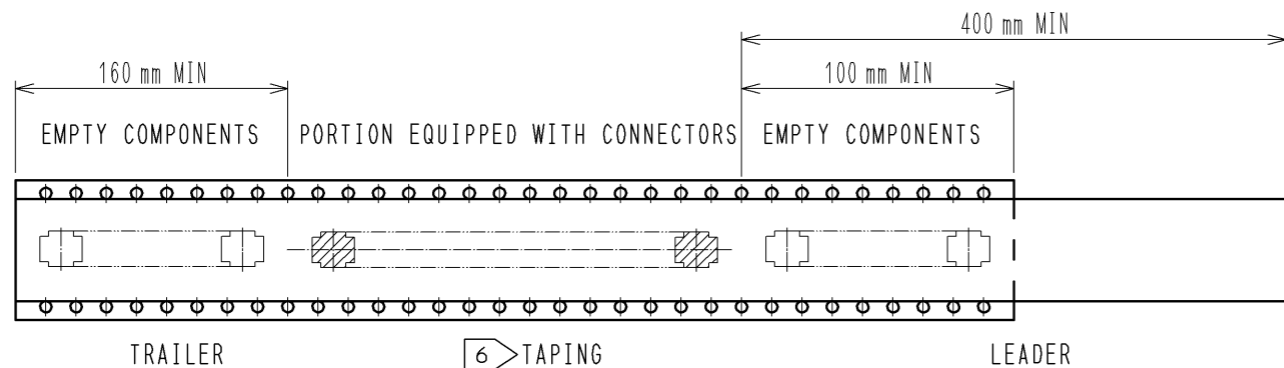
  

DRAWING NO. EDC3-337746-01	
PART NO. DF40HC(3.0)-90DS-0.4V(51)	
CODE NO. CL684-4161-4-51	1/2

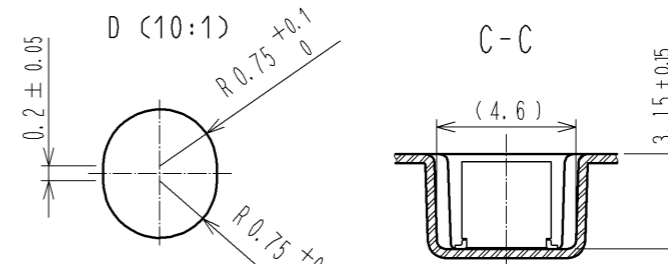
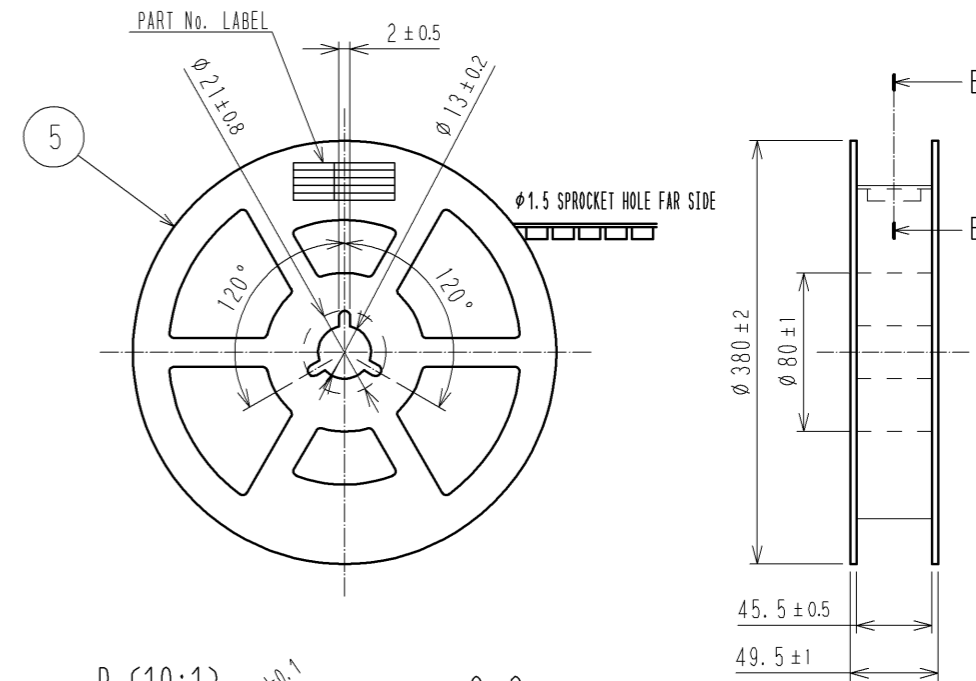
EMBOSED CARRIER TAPE DIMENSIONS (FREE)



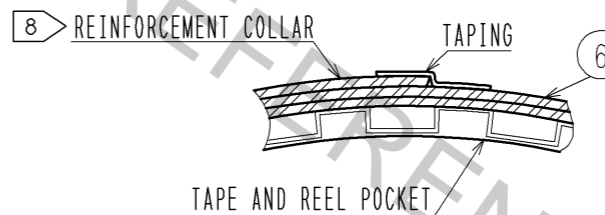
DIRECTION OF UNREELING →



STYLE AND DIMENSION OF REEL (FREE)



E-E (FREE)



7 DETAIL OF PART No. LABEL

製造年月日	** ** *
製品コード	CL684-4161-4-51
製品名	DF40HC(3.0)-90DS-0.4V(51)
数量	3000
納入者	ヒロセ電機(株)

- NOTES
- 4. PER REEL 3000 CONNECTORS.
  - 5. THE DIMENSIONS IN PARENTHESES ARE FOR REFERENCE.
  - 6. REFER TO JIS C 0806(IEC 60286-3)(PACKING OF COMPONENTS FOR AUTOMATIC HANDLING)
  - 7. DETAIL OF PART NO. LABEL IS WRITTEN IN JAPANESE. PART NO. LABEL DESCRIBES THE FOLLOWING INFORMATION FROM TOP.  
 PRODUCTION DATE:  
 PRODUCT CODE: CL684-4161-4-51  
 PART NUMBER: DF40HC(3.0)-90DS-0.4V(51)  
 NUMBER OF PIECES: 3000 PIECES  
 SUPPLIER NAME: HIROSE ELECTRIC CO., LTD.
  - 8. AFTER PACKAGING, ROLL 2 METERS OF THE REINFORCEMENT COLLAR TO OUTER CIRCUMFERENCE OF TAPE AND REEL POCKET, AND TAPE DOWN AT THE END THE COLLAR.

<b>HRS</b>	DRAWING NO.	EDC3-337746-01
	PART NO.	DF40HC(3.0)-90DS-0.4V(51)
	CODE NO.	CL684-4161-4-51
		△ 2/2