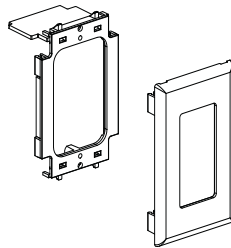
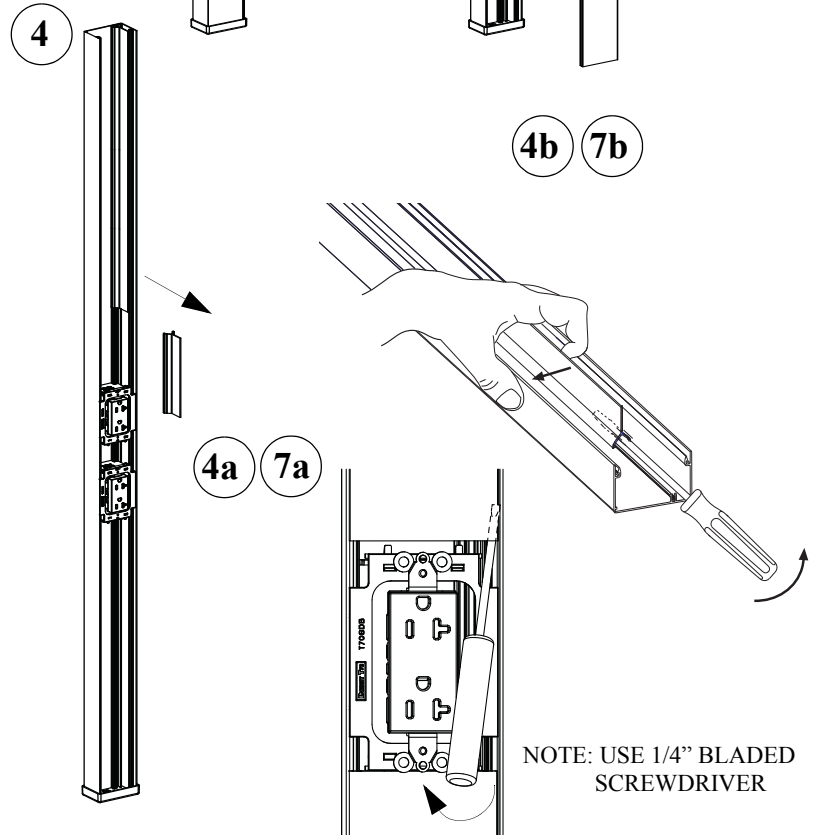
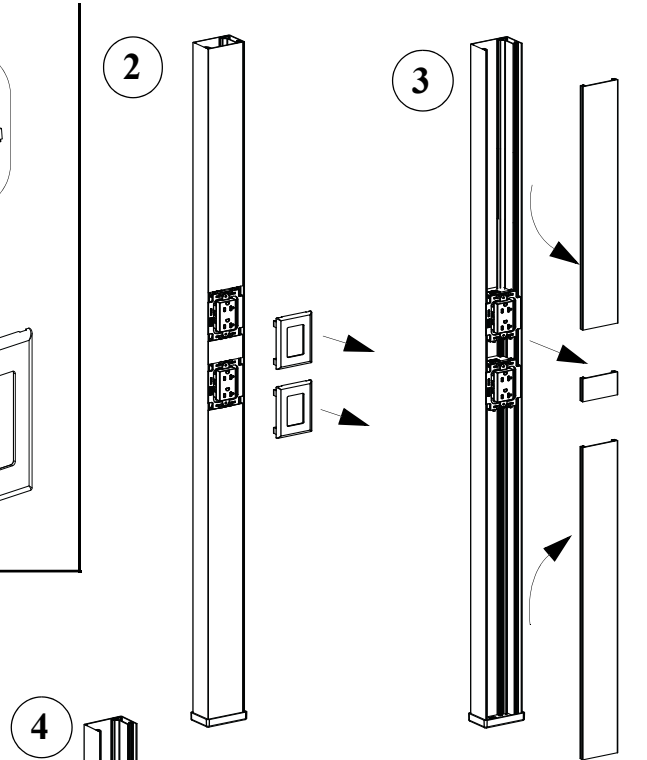
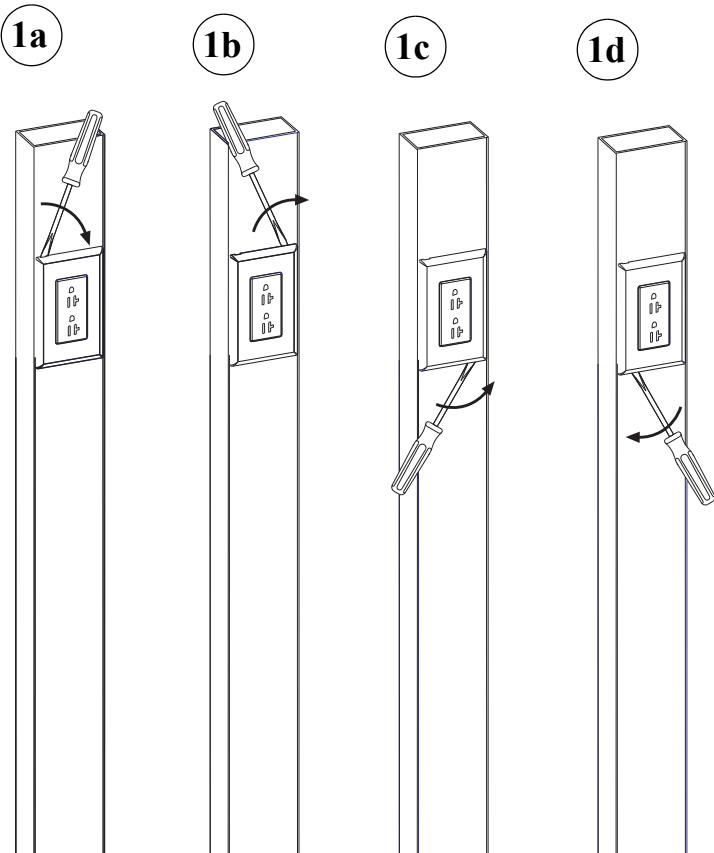


PCPAKR20**

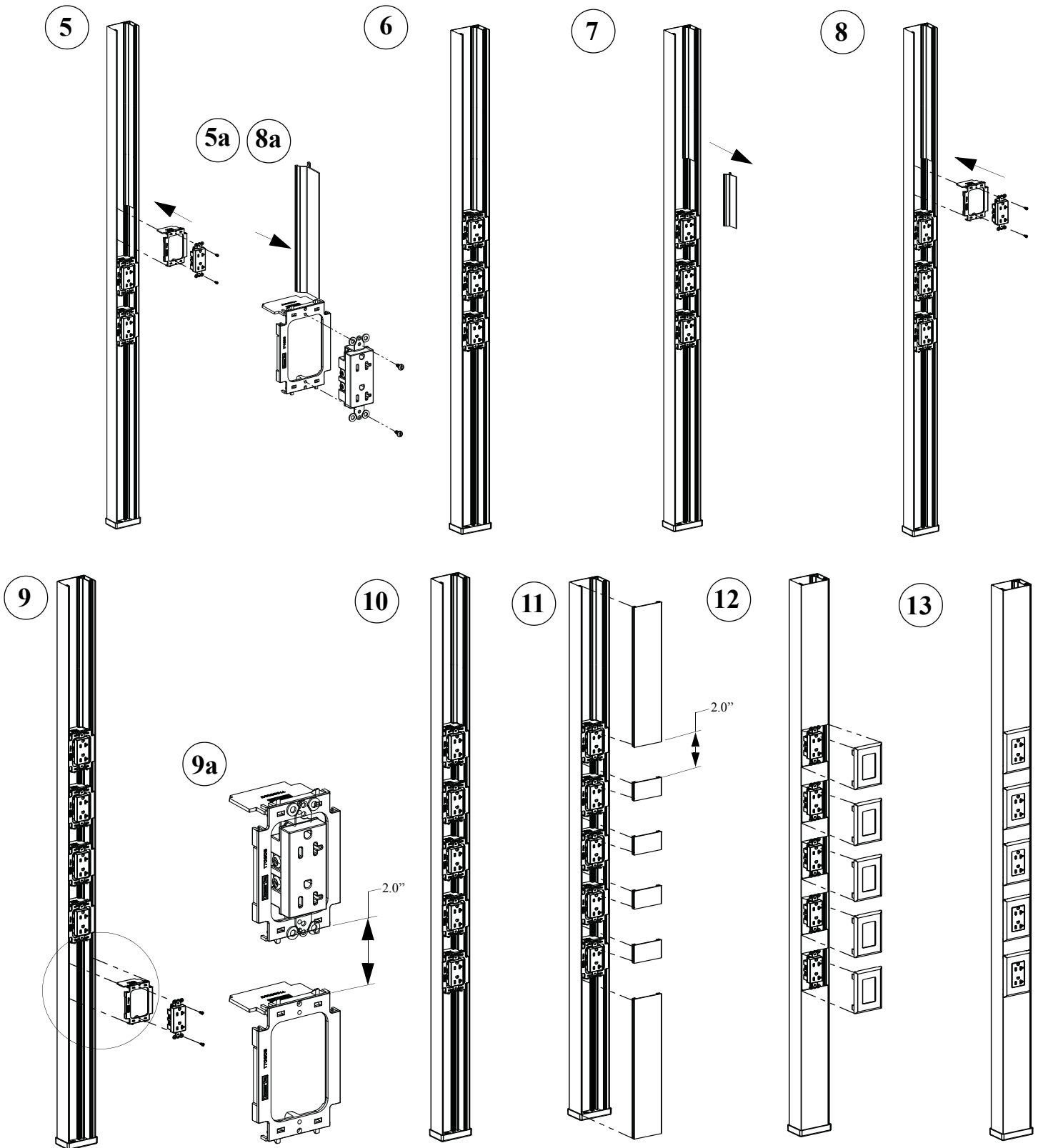


PCPAKR**

NOTE: USE 1/8" BLADED SCREWDRIVER



NOTE: USE 1/4" BLADED SCREWDRIVER



NOTE: MAXIMUM OF TWO CIRCUITS, ALL ELECTRICAL CONNECTIONS TO BE MADE IN ACCORDANCE WITH NEC/CEC REGULATIONS.

For Instructions in Local Languages
and Technical Support:
www.panduit.com/resources/install_maintain.asp

PANDUIT
www.panduit.com

E-mail:
techsupport@panduit.com
Fax:
866-405-6654