

4

3

2

1

THIS DRAWING IS UNPUBLISHED.

RELEASED FOR PUBLICATION

,19

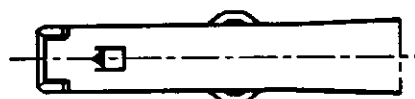
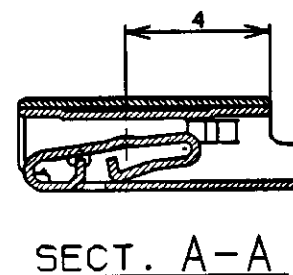
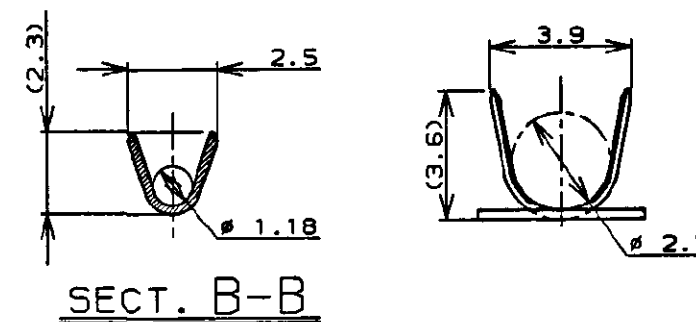
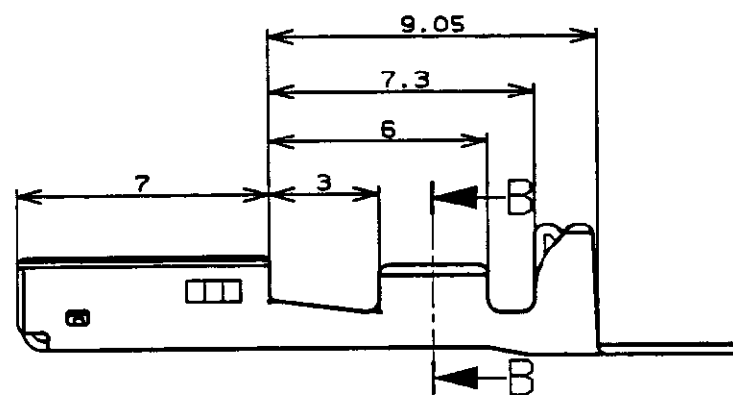
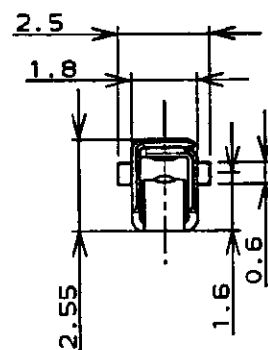
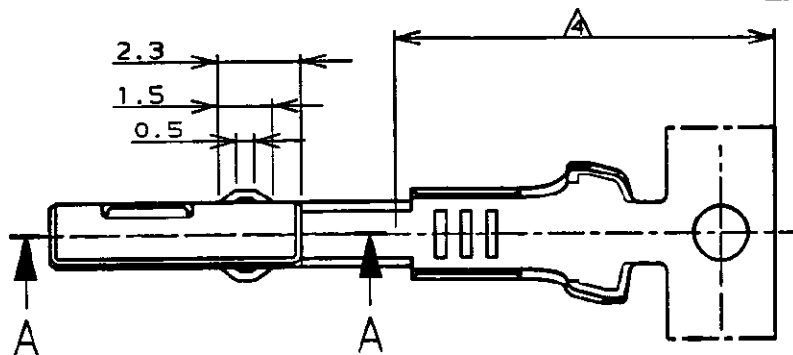
© COPYRIGHT 19

BY AMP INCORPORATED. ALL RIGHTS RESERVED.

LOC J
DIST -

REVISIONS

P	LTR	DESCRIPTION	ECN	DATE	DWN	APVD
0		DRAWN	FJ00-4529-96	4/24 '96	224	MC

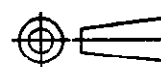


注記;
1. 適用電線; AVSS, CAVS 0.3-0.5mm²

NOTES,
1. APPLICABLE WIRE RANGE,
AVSS, CAVS 0.3-0.5mm²

THIS DRAWING IS A CONTROLLED DOCUMENT FOR AMP INCORPORATED. IT IS SUBJECT TO CHANGE AND THE CONTROLLING ENGINEERING ORGANIZATION SHOULD BE CONTACTED FOR THE LATEST REVISION.

DIMENSIONS:
單位: 毫米
mm



TOLERANCES UNLESS OTHERWISE SPECIFIED

一般公差
10% ±0.2
30% ±0.25
100% ±0.3
ANGLE: ±3°

MATERIAL
材料
Cu ALLOY
銅合金

FINISH
仕上
SEE TABLE
表参照

DWN 11.4/24 '96
CHK 7. Kobayashi 4/25 '96
APVD Ch. S. 25/4/96
PRODUCT SPEC
製品規格
- H -
APPLICATION SPEC
取付適用規格
114-5227
WEIGHT 0.3g
CUSTOMER DRAWING

PRE-TIN (すずめっき済)	316832-1
FINISH (仕上)	PART NUMBER (型番)
AMP 日本エー・エム・ピー株式会社 Kawasaki, Japan	
.040 III SEALED CONTACT, RECEPTACLE (S) Sn	
SIZE A3	CAGE CODE 00779
DRAWING NO. 番号 C-316832	
SCALE 尺度 5-1	SHEET 1 OF 1
REV 0	