

THIS DRAWING IS UNPUBLISHED. RELEASED FOR PUBLICATION
 © COPYRIGHT BY TYCO ELECTRONICS CORPORATION. ALL INTERNATIONAL RIGHTS RESERVED.

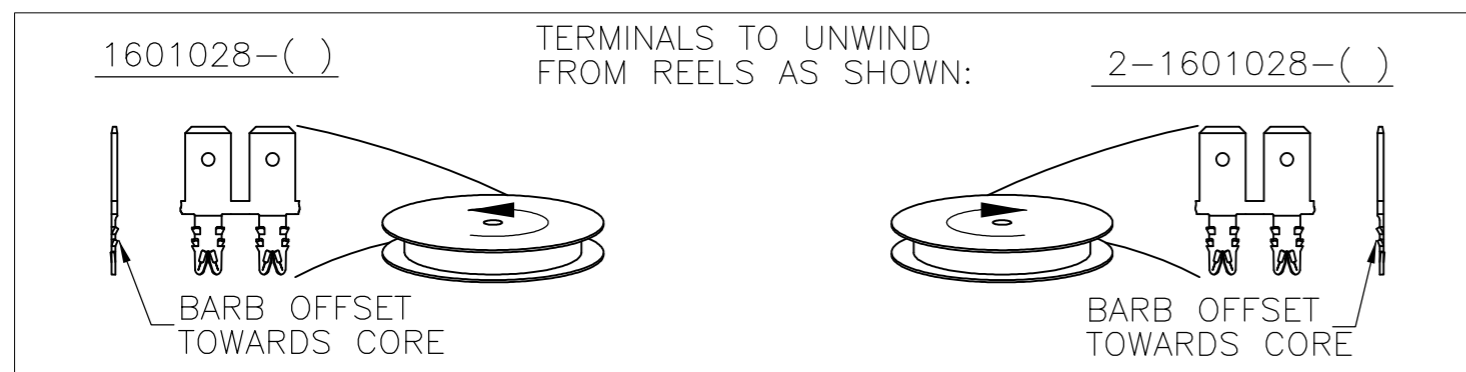
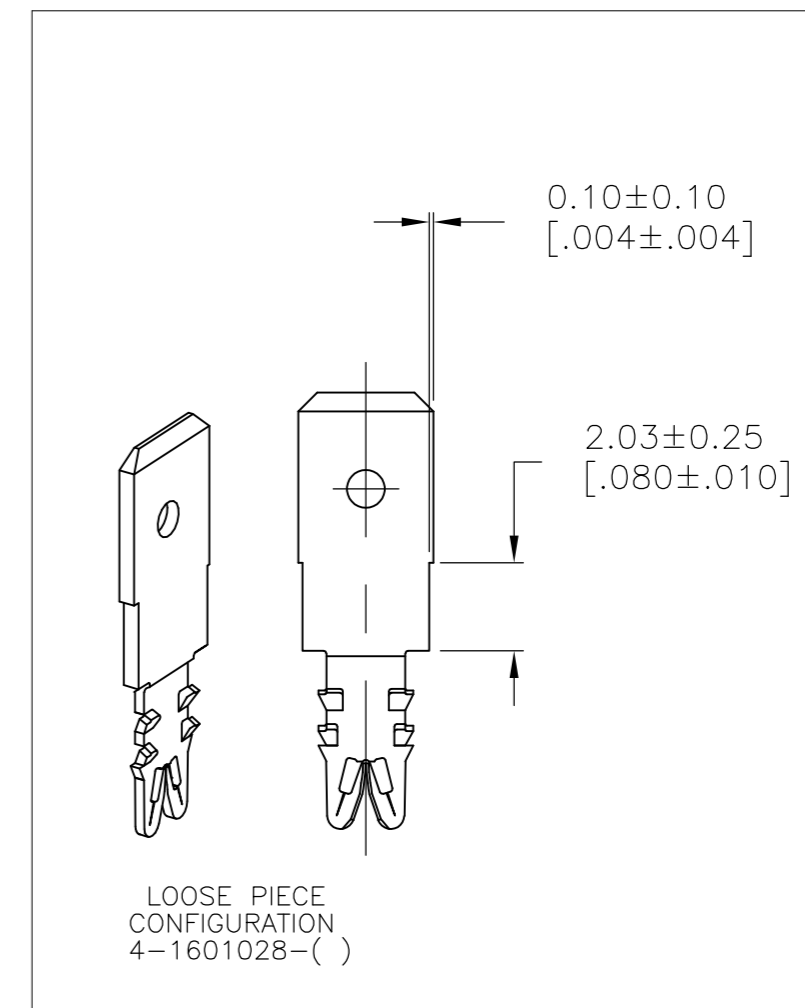
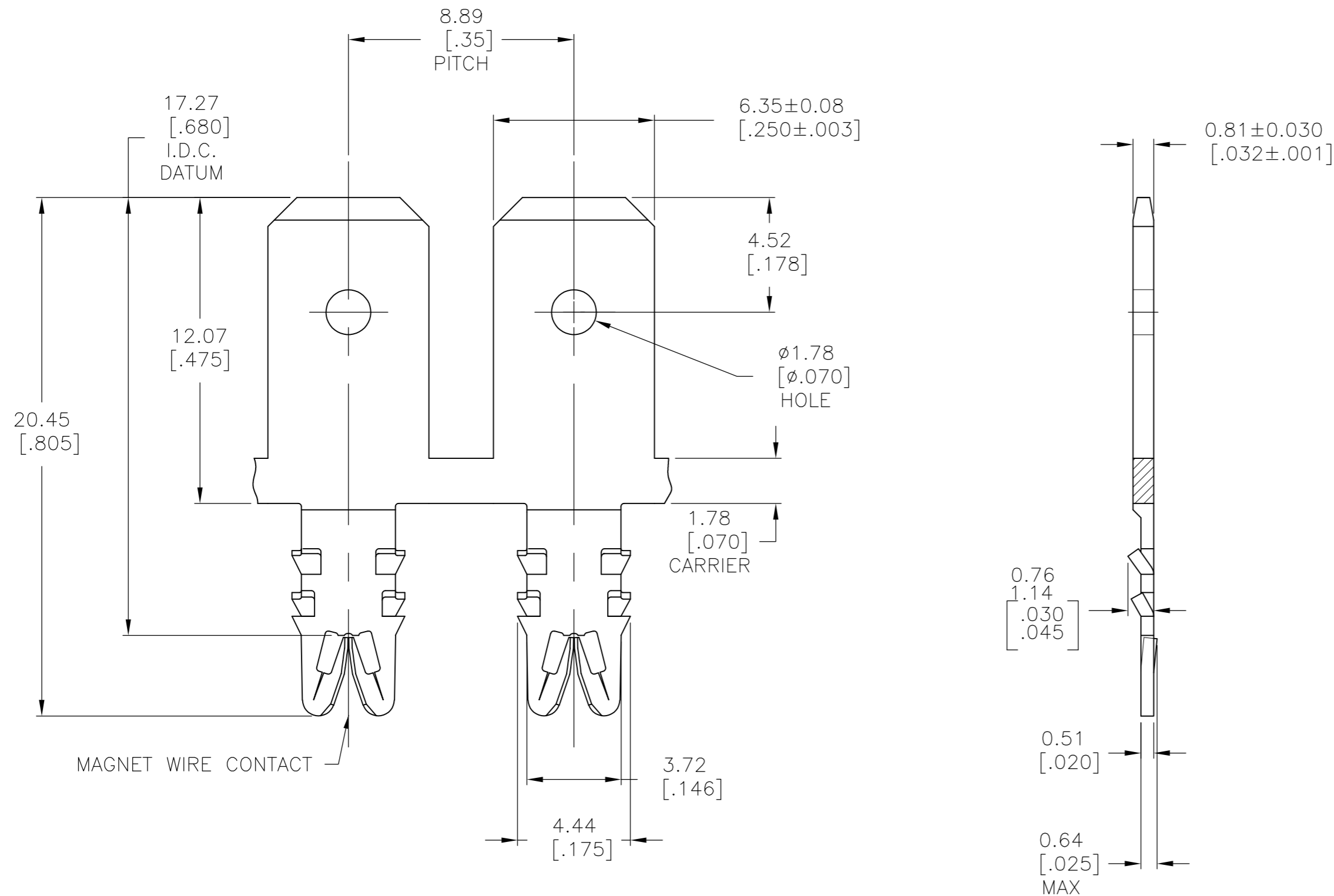
LOC		DIST		REVISIONS			
P	LTR	DESCRIPTION	DATE	DWN	APVD		
D		REVISED PER ECR-08-007001	22MAY08	HMR	GJ		
D1	50	REVISED PER ECO-09-024606	27OCT09	KK	AEG		

1 SPECIFICATIONS:
 MAGNET WIRE #18 - #34 AWG COPPER
 1.02-0.16 [.040-.006] DIA. OTHER SIZES
 MAY BE ACCOMMODATED, CONSULT
 TYCO ELECTRONICS FOR APPROVAL.

2 POCKET RECOMMENDATION: #1601425

3 TERMINAL APPLICATION TO COMPLY WITH
 TYCO ELECTRONICS SPECIFICATION
 114-13166 FIGURE 6.

4 OBSOLETE PARTS: OBSOLETE CIS STREAMLINING
 PER D.RENAUD/D.SINISI



4 OBSOLETE

FINISH	REFERENCE PART NUMBER	TE PART NUMBER
Pre Tin Plate	031-063-002	4-1601028-2
Unplated	031-063-000	4-1601028-1
Pre Tin Plate	131-063-002	2-1601028-2
Unplated	131-063-000	2-1601028-1
Pre Tin Plate	131-064-002	1601028-2
Unplated	131-064-000	1601028-1

THIS DRAWING IS A CONTROLLED DOCUMENT.		DWN J.WELLER 11JAN2002	Tyco Electronics Corporation Harrisburg, PA 17105-3608
DIMENSIONS: mm [INCHES]		CHK M.FEHER 11JAN2002	
TOLERANCES UNLESS OTHERWISE SPECIFIED:		APVD K.RANDOLPH 11JAN2002	
0 PLC ± - 1 PLC ± 0.25[.010] 2 PLC ± 0.13[.005] 3 PLC ± - 4 PLC ± - ANGLES ± 2°		NAME PRODUCT SPEC 108-2085 APPLICATION SPEC	
MATERIAL BRASS, 1/2 HARD	FINISH SEE TABLE	WEIGHT -	SIZE A2 CAGE CODE 00779 DRAWING NO C=1601028 RESTRICTED TO -
CUSTOMER DRAWING			SCALE 6:1 SHEET 1 of 1 REV D1