

Customer Information Sheet

DRAWING No.: M80-792XXXX

SHEET 2 OF 2

IF IN DOUBT - ASK

(C)

NOT TO SCALE

THIRD ANGLE PROJECTION

ALL DIMENSIONS IN mm

ORDER CODE:

M80-792XXXX

TOTAL No. OF WAYS
02-07, 17, 22

FINISH

- 22 - GOLD ON CONTACT AREA
TIN/LEAD ON TAILS
- 42 - GOLD ON CONTACT AREA
100% TIN ON TAILS
- 45 - GOLD

NOTES:

1. 2-OFF STRAIN RELIEF STRAP M80-0030006 ARE INCLUDED WITH EACH CONNECTOR.

SPECIFICATIONS:

MATERIAL:

- MOULDING = GLASS-FILLED POLYAMIDE 46 UL94V-0, BLACK
- CONTACTS = PHOSPHOR BRONZE
- LATCHES = BERYLLIUM COPPER

FINISH:

CONTACTS:

- 22 = 0.75µ GOLD ON CONTACT AREA, 3.0µ TIN/LEAD ON TAILS
- 42 = 0.75µ GOLD ON CONTACT AREA, 3.0µ 100% TIN ON TAILS
- 45 = 0.75µ GOLD
- LATCHES = 1.25µ NICKEL

ELECTRICAL:

- CURRENT RATING AT 25°C = 3.0A MAX
- CURRENT RATING AT 85°C = 2.2A MAX
- WORKING VOLTAGE = 120V AC/DC
- VOLTAGE PROOF = 360V AC/DC

CONTACT RESISTANCE (INITIAL) = 20 mΩ MAX

CONTACT RESISTANCE (AFTER CONDITIONING) = 25 mΩ MAX

INSULATION RESISTANCE (INITIAL) = 1,000 MΩ MIN

INSULATION RESISTANCE (AFTER CONDITIONING) = 100 MΩ MIN

MECHANICAL:

DURABILITY = 500 OPERATIONS

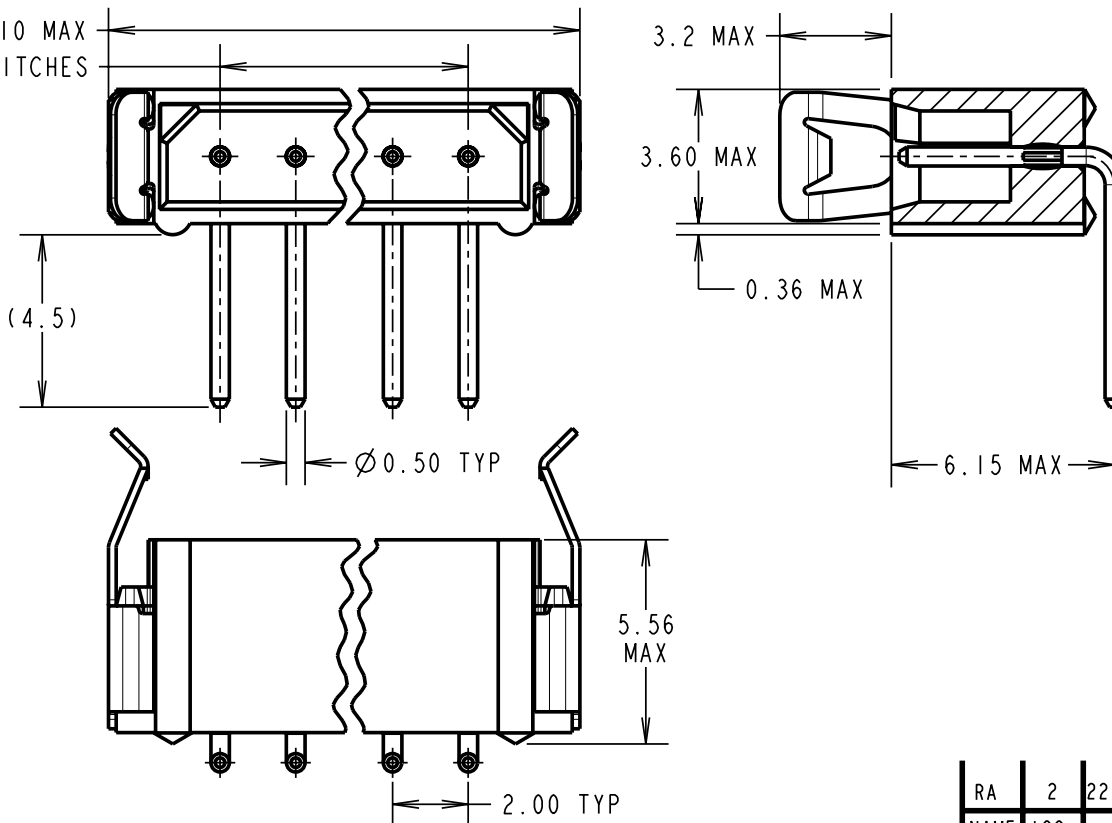
ENVIRONMENTAL:

TEMPERATURE RANGE = -55°C TO +125°C

PACKING: TUBE

FOR COMPLETE SPECIFICATION, SEE COMPONENT SPECIFICATION C005XX (LATEST ISSUE)

2.00 x No OF WAYS + 4.10 MAX
2.00 x No. OF PITCHES



RECOMMENDED
PCB LAYOUT

RA	2	22.08.08	10127
NAME	ISS.	DATE	C/NOTE
APPROVED:		R.ADDE	
CHECKED:		M.G.PLESTED	
DRAWN:		JM BROOKES	
CUSTOMER REF.:			
ASSEMBLY DRG.:			

HARWIN

HARWIN USA
TEL: 603 893 5376
FAX: 603 893 5396
mis@harwin.com

HARWIN Europe (UK)
TEL: 023 9231 4545
FAX: 023 9231 4590
mis@harwin.co.uk

HARWIN Asia
TEL: +65 6 779 4909
FAX: +65 6 779 3868
mis@harwin.com.sg

THIS DRAWING AND ANY INFORMATION OR DESCRIPTIVE MATTER SET OUT HEREON ARE CONFIDENTIAL AND COPYRIGHT PROPERTY OF THE HARWIN GROUP AND MUST NOT BE DISCLOSED, LOANED, COPIED OR USED FOR MANUFACTURING, TENDERING OR FOR ANY OTHER PURPOSE WITHOUT THEIR WRITTEN PERMISSION.

TOLERANCES

X. = ±1mm
X.X = ±0.25mm
X.XX = ±0.10mm
X.XXX = ±0.01mm

ANGLES = ±5°

UNLESS STATED

MATERIAL:

SEE ABOVE

FINISH:

S/AREA:

mm²

TITLE:

DATAMATE SIL
HORIZONTAL MALE PC TAIL
ASSEMBLY - LATCHED

DRAWING NUMBER:

M80-792XXXX

SHT
2
OF 2