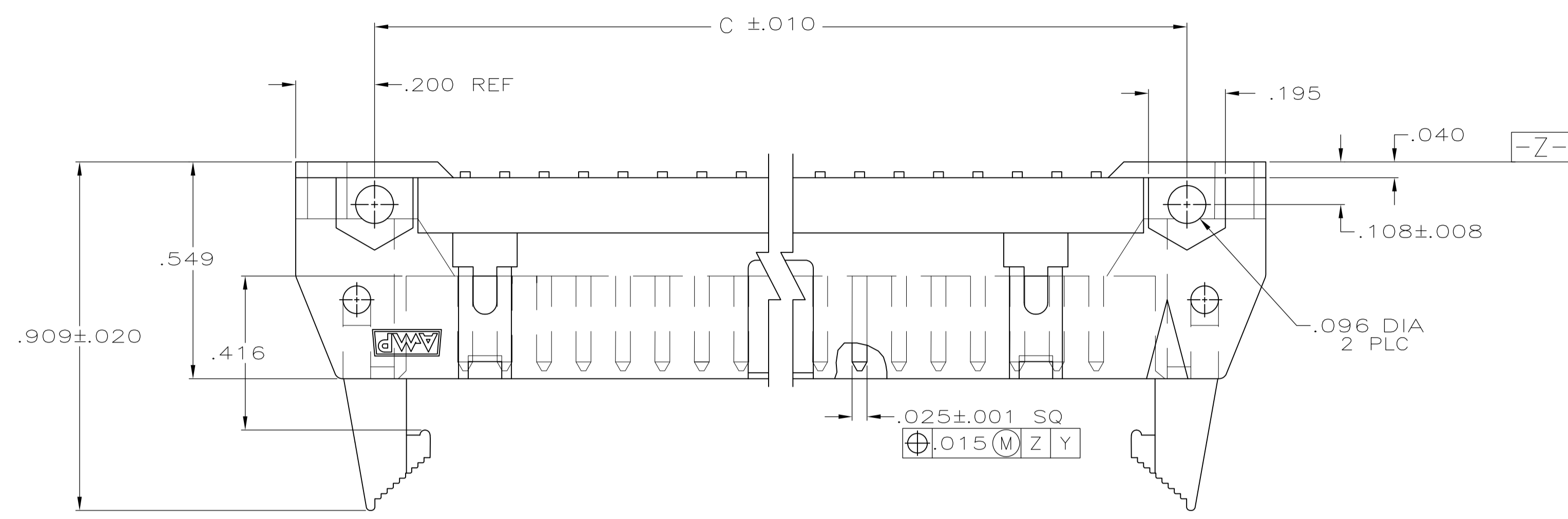
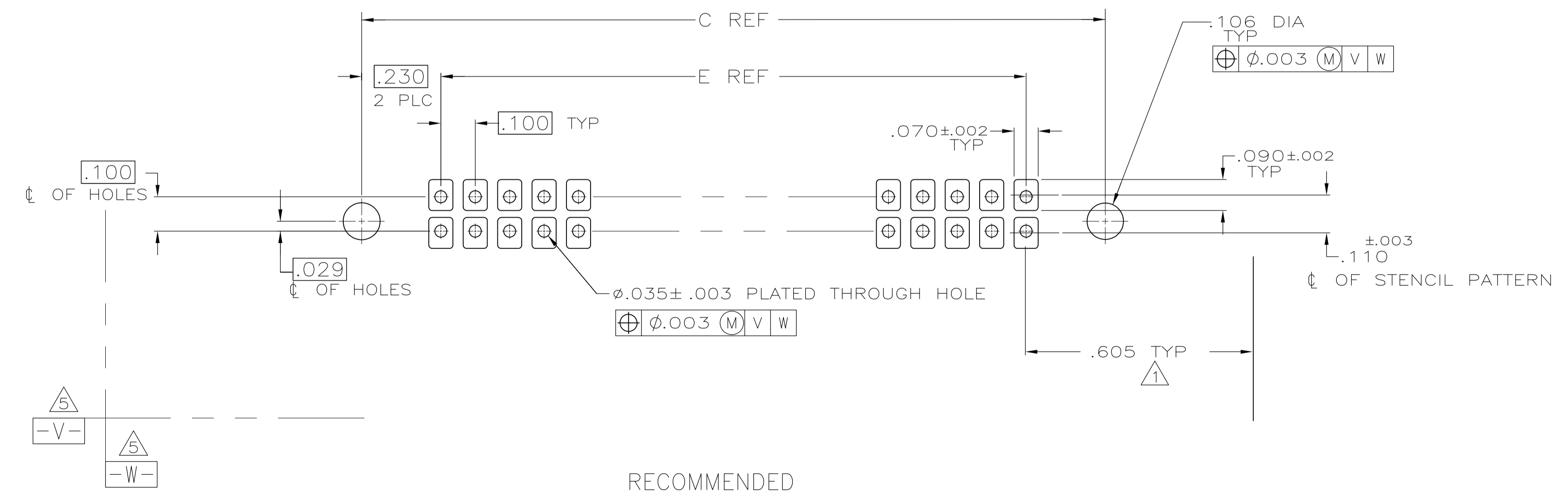
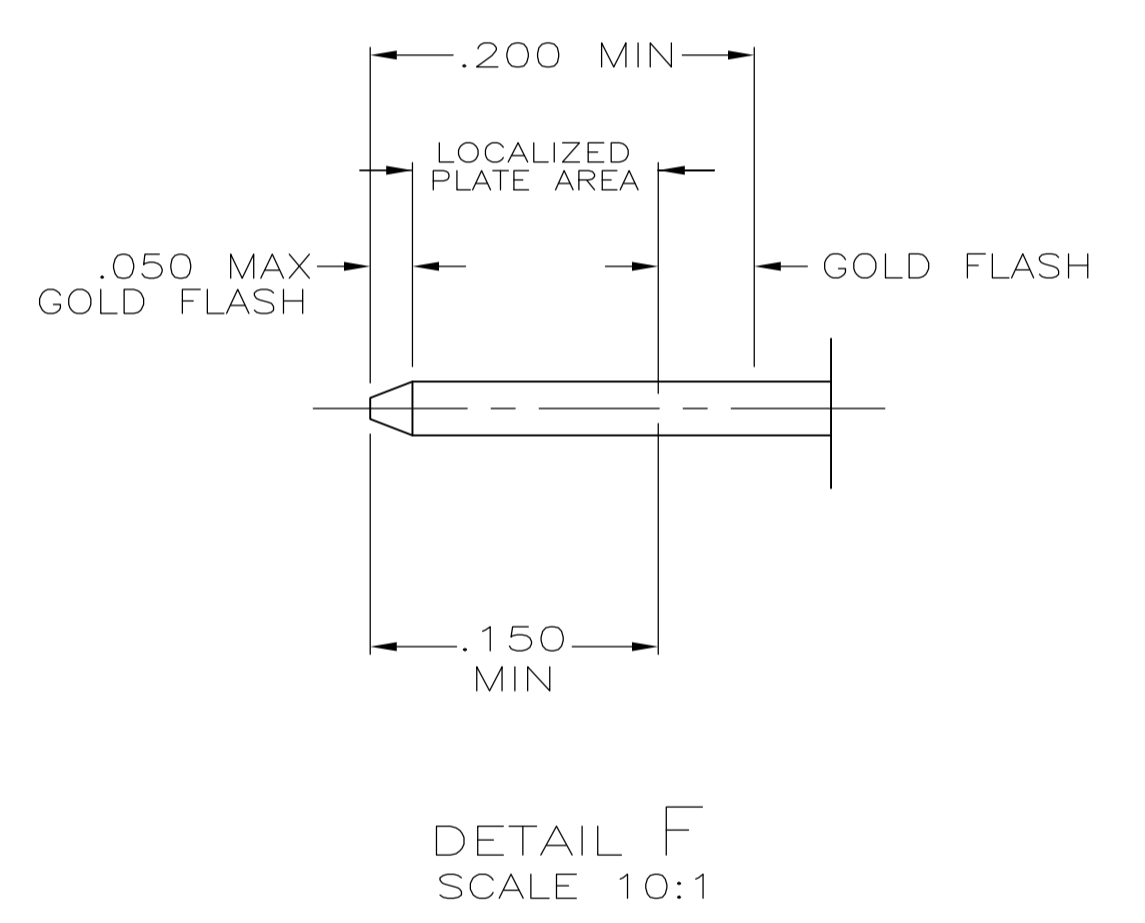
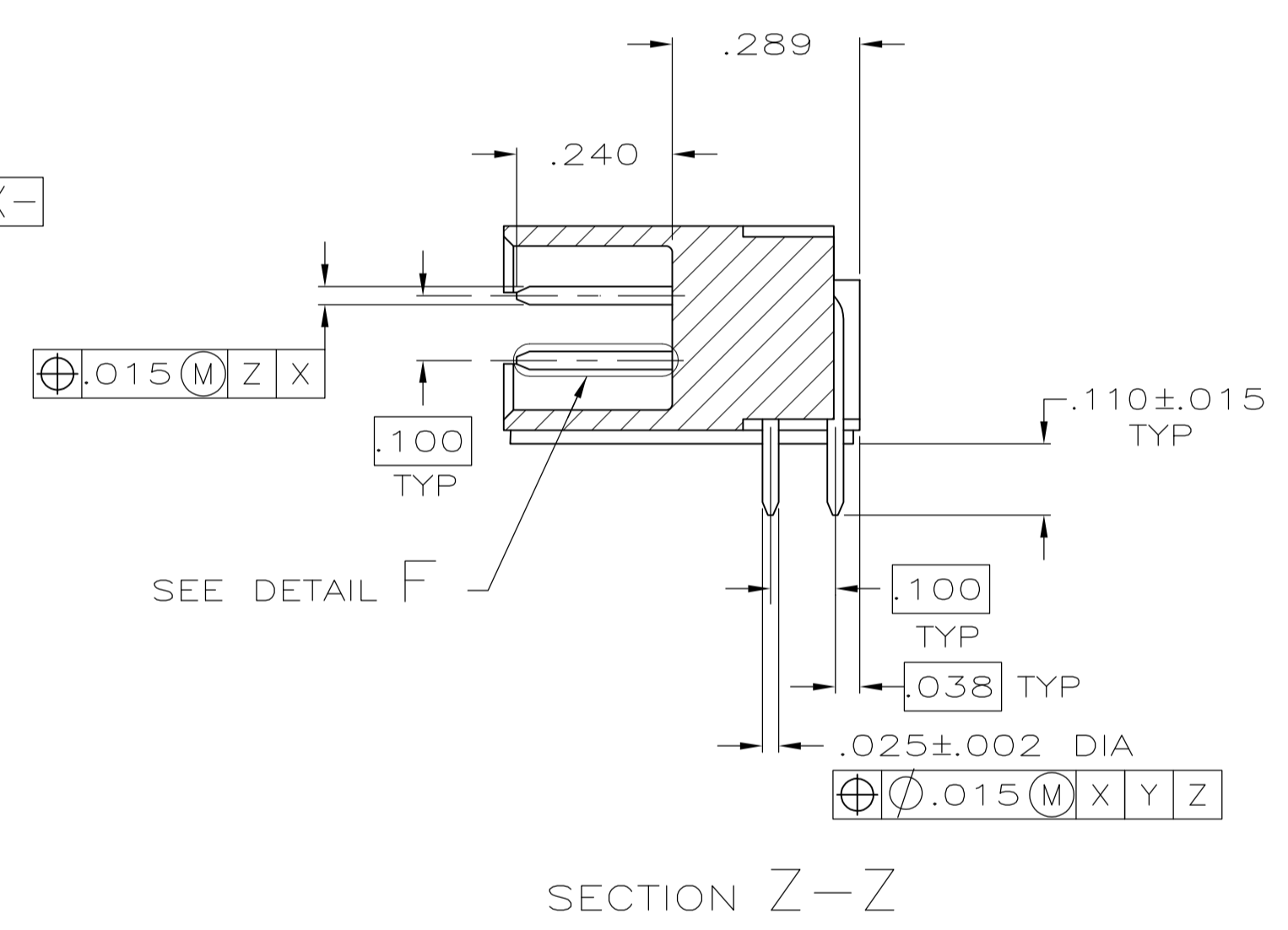
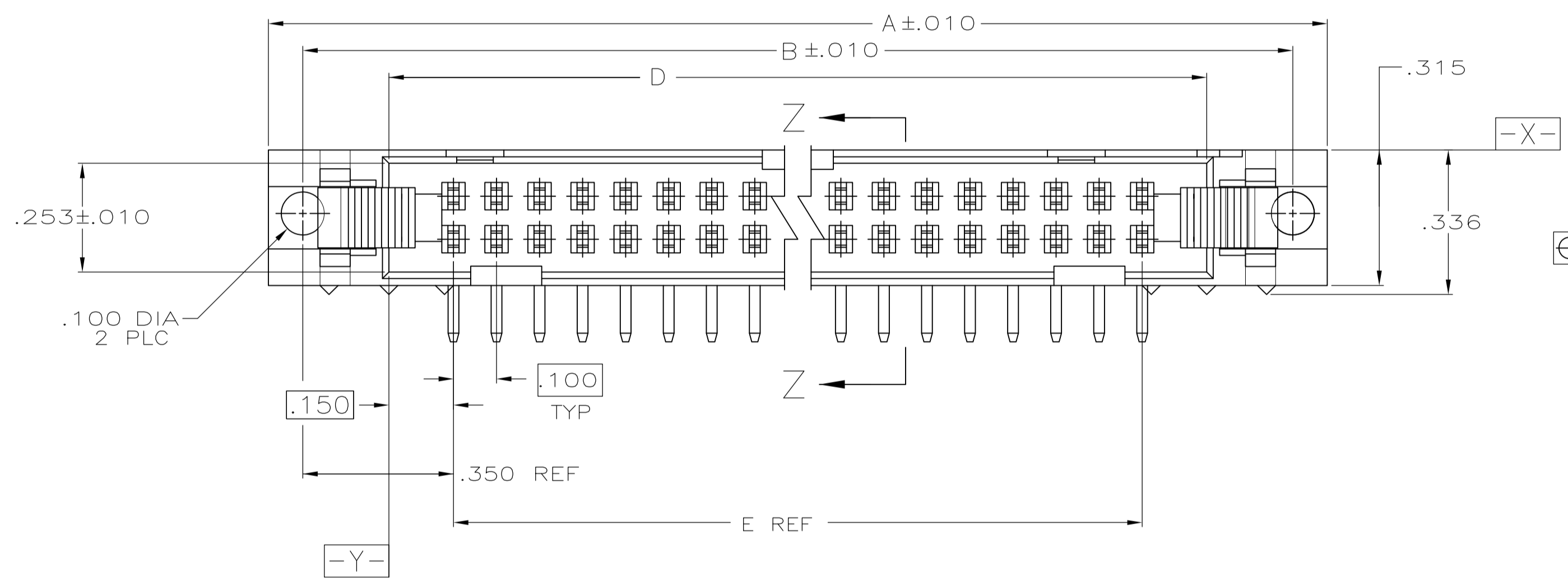


LOC		DIST		REVISIONS				
GP	00	REV	DATE	BY	APPV	DATE	BY	APPV
D		REVISED PER ECO-11-003736	17MAR2011	CJV	SLB			



- 1 DISTANCE REQUIRED BY LATCHES IN OPEN POSITION.
- 2 POSTS: GOLD FLASH OVER PALLADIUM-NICKEL PLATE, .000030 MIN TOTAL ON THE LOCALIZED PLATE AREA, .000100 MIN TIN-LEAD PLATE ON THE SOLDER-TAIL, .000050 MIN NICKEL UNDERPLATE ON THE ENTIRE POST.
-OR-
.000030 MIN GOLD PLATE ON THE LOCALIZED PLATE AREA, .000100 MIN TIN-LEAD PLATE ON THE SOLDER-TAIL, .000050 MIN NICKEL UNDERPLATE ON THE ENTIRE POST.
- 3 MOLDED PARTS: FLAME RETARDANT 94V-0 RATED, GLASS FILLED POLYESTER; RED. POSTS: BRASS
- 4 CONNECTOR TO BE PACKAGED IN TAPE & REEL.
- 5 DATUMS -V- & -W- TO BE ESTABLISHED BY CUSTOMER



1.900	2.200	2.360	2.60	2.76	40	1489892-1
E	D	C	B	A	NO OF POSN	PART NUMBER

THIS DRAWING IS A CONTROLLED DOCUMENT.

DIMENSIONS: INCHES	TOLERANCES UNLESS OTHERWISE SPECIFIED:	DIN R SAMICK 22APR02	CHK S BOLASH 23APR02	APPR M WALMSLEY 23APR02	NAME
0 PLC ± -	1 PLC ± -	TE Connectivity HEADER ASSEMBLY, HIGH TEMPERATURE, UNIVERSAL, LATCHES, AMP-LATCH™			PRODUCT SPEC
2 PLC ± -	3 PLC ± .005				APPLICATION SPEC
4 PLC ± -	ANGLES ± -				SIZE
					WEIGHT
MATERIAL	FINISH	SIZE	CAGE CODE	DRAWING NO	RESTRICTED TO
		A1	00779	1489892	
		CUSTOMER DRAWING		SCALE 4:1	SHEET 1 OF 1