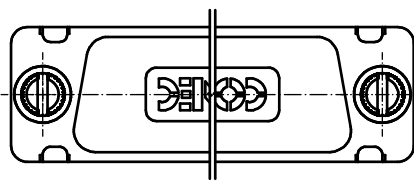
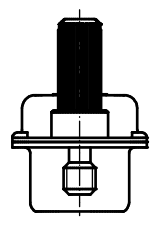
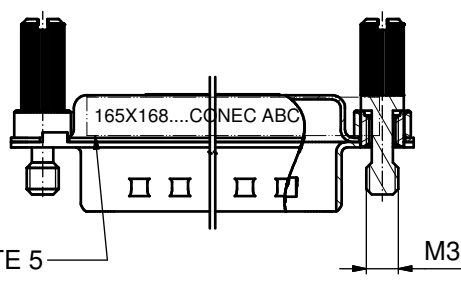
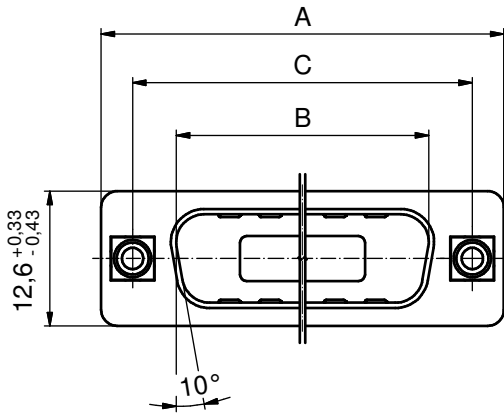
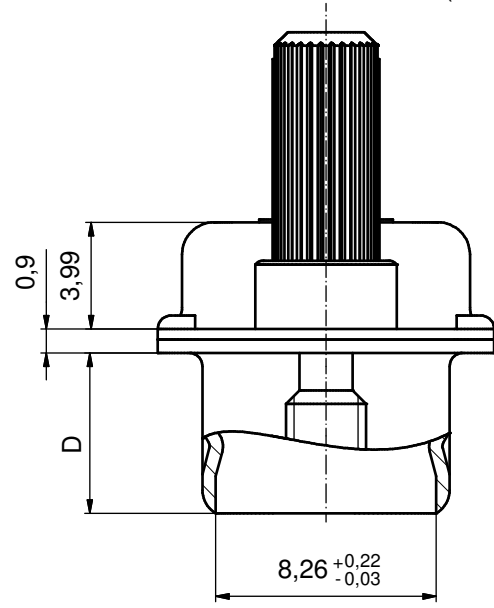


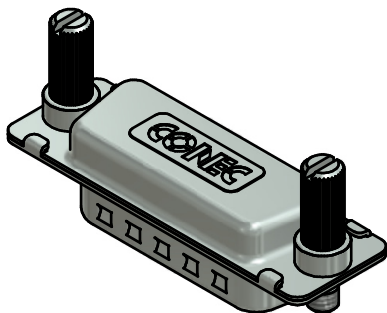
No. of pos.	A <sub>-0,76</sub>	B <sub>+0,25</sub>	C	D <sub>-0,3</sub>	Part-No.
9	31,19	16,79	25,00 <sup>+0,12</sup> <sub>-0,13</sub>	6,12	165X16859X
15	39,52	25,12	33,30 <sup>+0,15</sup> <sub>-0,1</sub>	6,12	165X16869X
25	53,42	38,84	47,04 ± 0,13	5,99	165X16879X
37	69,70	55,30	63,50 ± 0,13	5,99	165X16889X
50	67,31	52,68	61,10 <sup>+0,14</sup> <sub>-0,11</sub>	5,99	165X16899X

(5:1)



NOTES:

1. METALSHELLS: STEEL; min. 315µin TIN over 40-80µin NICKEL
2. THREADED INSERTS: COPPER ALLOY; min. 200µin TIN over 80µin NICKEL
3. COLLARS: COPPER ALLOY; min. 200µin TIN over 80µin NICKEL
4. JACK SCREWS: STEEL; NICKEL PLATED
5. CONNECTOR IS PART MARKED: PART NO. CONEC ABC



Directive 2002/95/EC RoHS compliant

THIS DRAWING MAY NOT BE COPIED OR REPRODUCED IN ANY WAY, AND MAY NOT BE PASSED ON TO A THIRD PARTY WITHOUT WRITTEN PERMISSION. OWNERSHIP AND COPYRIGHT OF CONEC GmbH DO NOT ALTER CAD DRAWING BY HAND	tolerance		dim. in mm	scale: 2:1 (5:1)	
	date			material: SEE NOTES	
	drawn	02.01.12	name		title: <b>SCREEN CAP</b> 9-50pos. for socket connector with jack screw
	appd.	02.01.12	Fischer		
	norm				
	d-old				
a	Original			dwg no:	DIN-A3
rev.	description			date	name
				part no:	SEE TABLE