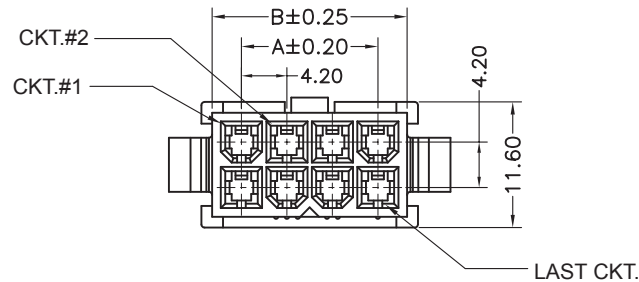
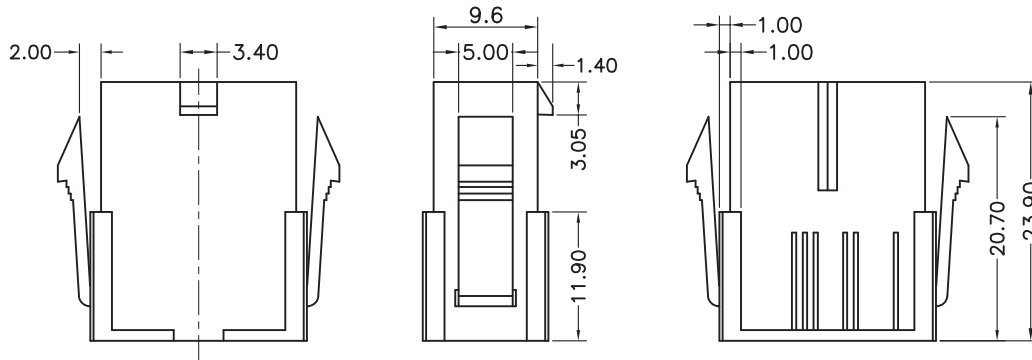


Recommended Panel Cut-out Thickness = 1,40 ±0,40



TECHNICAL CHARACTERISTICS

MATERIAL
 INSULATOR: NYLON 66
 FLAMABILITY RATING: UL94-V0
 COLOR: WHITE
 PITCH: 4.20 MM

ENVIRONMENTAL
 OPERATING TEMPERATURE: -40 UP TO 105°C
 COMPLIANCE: LEAD FREE AND ROHS

ELECTRICAL
 CURRENT RATING: 6 TO 9 A

NB CIRCUITS	2-3	4-6	7-10	12-24
AMPERES	9	8	7	6

WORKING VOLTAGE: 600 VAC
 INSULATOR RESISTANCE: >1000 MOHM
 DIELECTRIC WITHSTANDING VOLTAGE: 1500 VAC/MN

STANDARD
 CERTIFIED: E323964

SOLDERING
 JEDEC LEAD FREE WAVE SOLDERING PROCESS

PACKAGING
 BAG

DIMENSION
 A = 4.20 x (NB PIN / 2 - 1)
 B = 4.20 x (NB PIN / 2) + 1.30
 C = 4.20 x (NB PIN / 2) + 6.60

RoHS Compliant			
G	29-APR-16	DRAWING	AK
F	02-JUL-15	PINNING	AK
E	26-SEP-14	DRAWING	AS
D	09-OCT-13	PANEL THICK	QL
C	25-MAR-13	PANEL THICK	AR
B	18-NOV-09	STANDARD	JP
A	24-JUN-09	BAG PACKAGING	JP
REV	DATE	FILE	BY

PROJECTION:	
APPROVAL: BBu	

GENERAL TOLERANCE
.X = +/- 0.2
.XX = +/- 0.15
UNIT: MM
SCALE:
SHEET: 1/3
DRAW: AS

 WÜRTH ELEKTRONIK	DESCRIPTION: WR-MPC4 - 4.20MM MALE DUAL ROW PLUG WITH
	PANEL MOUNT EARS
	WERI PART NO: 649 0xx 218 22

SIZE	A4

A

B

C

D

1

2

3

4

5

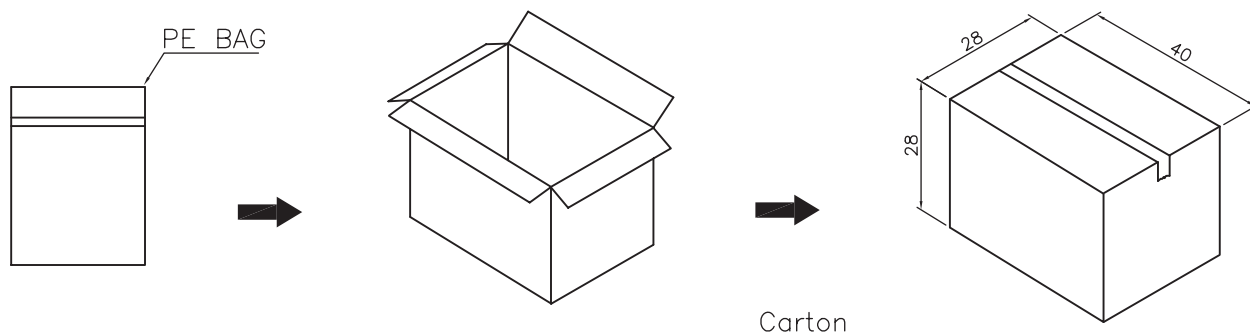
Note:


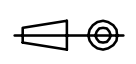
1.Dimension:

Carton Size:40*28*28(cm)

2.Quantity:

Pin.	Pcs/Bag	Pcs/Carton	Pin.	Pcs/Bag	Pcs/Carton
2	1000	7000	14	300	1500
4	1000	4000	16	250	1250
6	500	3000	18	200	1000
8	500	2500	20	200	1000
10	500	2000	22	100	800
12	400	1600	24	100	700



RoHS Compliant				PROJECTION:	GENERAL TOLERANCE		DESCRIPTION: WR-MPC4 - 4.20MM MALE DUAL ROW PLUG WITH PANEL MOUNT EARS	SIZE A4
G					.X = +/- 0.2			
F					.XX = +/- 0.15			
E				APPROVAL: BBu				
D								
C								
B								
A								
REV	DATE	FILE	BY					

1

2

3

4

5

Cautions and Warnings:

This electronic component is designed and developed with the intention for use in general electronics equipments.

Before incorporating the components into any equipments in the field such as aerospace, aviation, nuclear control, submarine, transportation, (automotive control, train control, ship control), transportation signal, disaster prevention, medical, public information network etc. where higher safety and reliability are especially required or if there is possibility of direct damage or injury to human body, Würth Elektronik must be asked for a written approval.

In addition, even electronic component in general electronic equipments, when used in electrical circuits that require high safety, reliability functions or performance, the sufficient reliability evaluation-check for the safety must be performed before by the user before usage.

A

B

C

RoHS Compliant

G				PROJECTION: 	GENERAL TOLERANCE .X = +/- 0.2 .XX = +/- 0.15	 WÜRTH ELEKTRONIK	
F							
E							
D							
C				APPROVAL: JC	UNIT: MM	DESCRIPTION: DISCLAIMER	SIZE A4
B					SCALE:		
A	10-SEP-14	PDF	QL		SHEET: 3/3	WERI PART NO: DISCLAIMER	
REV	DATE	FILE	BY		DRAW: QL		

D