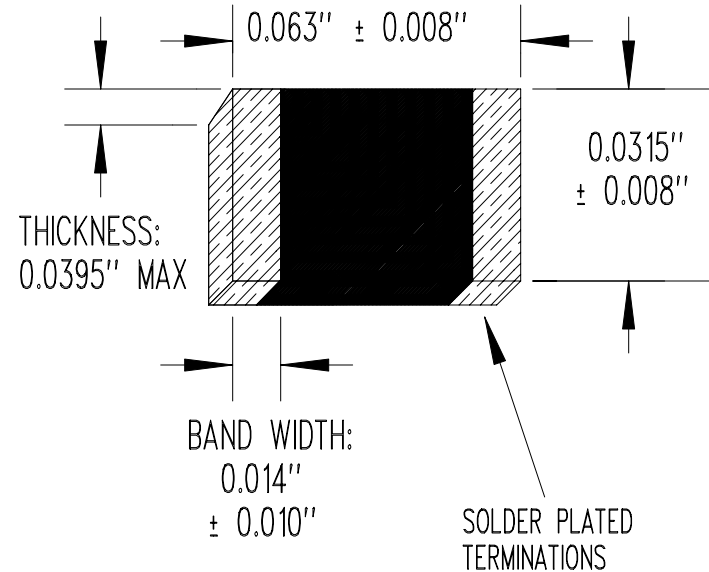


RESISTANCE/TEMPERATURE TABLE			
TEMP (°C)	RESIS (Ω)	TEMP (°C)	RESIS (Ω)
-40	9,205	45	255.7
-35	6,978	50	218.9
-30	5,348	55	188.2
-25	4,139	60	162.6
-20	3,235	65	141.0
-15	2,551	70	122.8
-10	2,029	75	107.3
-5	1,627	80	94.09
0	1,314	85	82.81
5	1,069	90	73.15
10	875.9	95	64.82
15	722.2	100	57.62
20	599.2	105	51.37
25	500.0	110	45.93
30	419.5	115	41.18
35	353.9	120	37.02
40	300.0	125	33.37



RESISTANCE @ +25°C = 500 Ω ± 5%
 BETA "β" (+25 TO +85°C) = 3,200°K NOMINAL
 POWER RATING = 150 mW
 OPERATING TEMPERATURE RANGE = -40 TO +125°C

SEE MANUFACTURING SPECIFICATION (LAYER 1)

NONE	RELEASE TO PRODUCTION	12/08/03	DD
REV	REVISION RECORD	DATE	APP

SCALE	NONE	U.S. SENSOR CORP. 1832 W. COLLINS AVE. ORANGE, CA. 92867 714-639-1000 www.ussensor.com
DRAWN BY	DAN DANKERT	
DATE	12/08/03	
REV.	NONE	
LAYER	0 OF 2	
		THERMISTOR, NTC CHIP
		P/N RB501DOJ