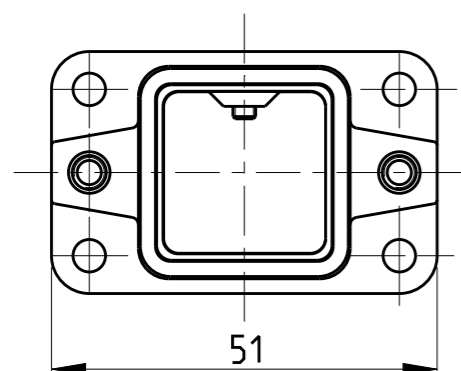
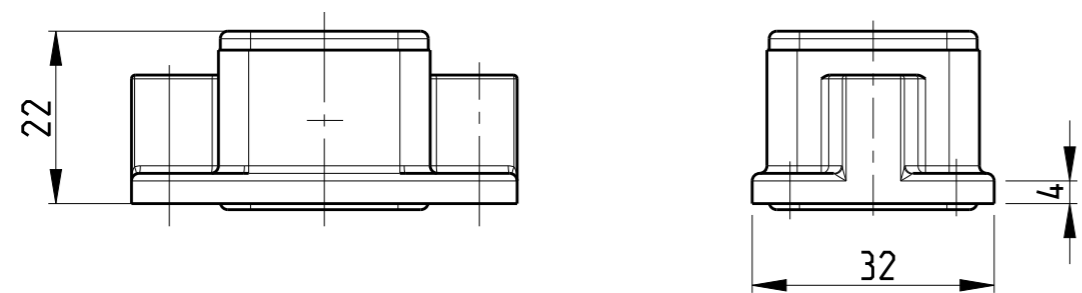
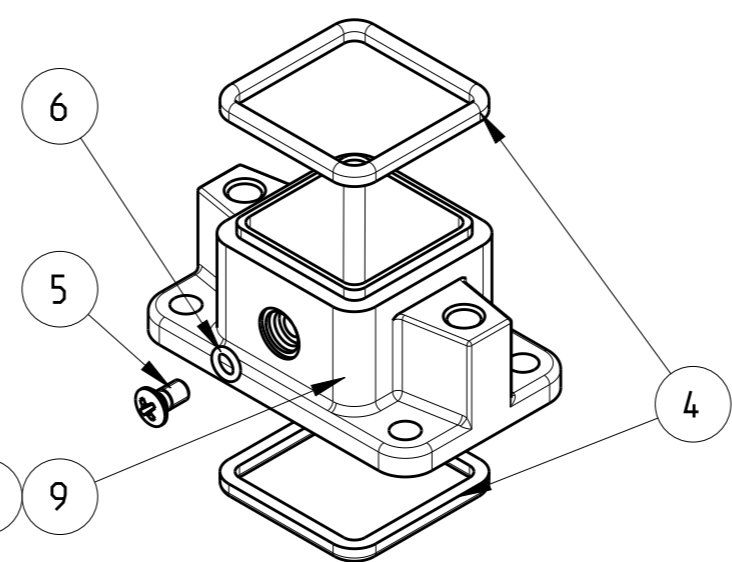


THIS DRAWING IS UNPUBLISHED. RELEASED FOR PUBLICATION 2006  
 © COPYRIGHT 2006 BY - ALL RIGHTS RESERVED.

LOC	DIST	REVISIONS			
P	LTR	DESCRIPTION	DATE	DWN	APVD
A4		ECR-09-009777	17MAY2010	SR	AR
B		ECR-16-001977	01APR2016	GCM	JB

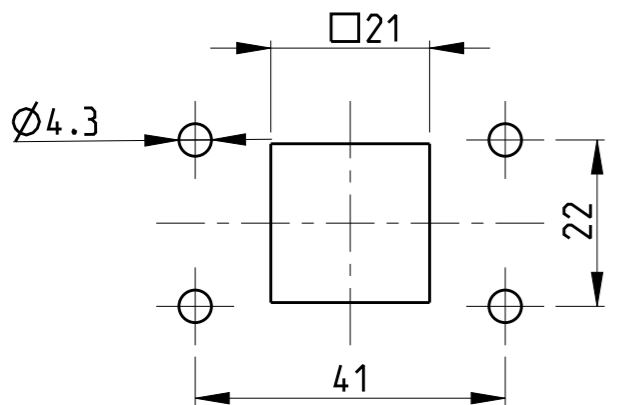


PN 1-5 AS SHOWN



Notes

- SUITABLE HOUSINGS: SERIES HIP, SIZE 1  
CUSTOMER DRAWING 1102600, 1106408, 1106200
- STANDARDS:  
DIN EN 61984, DIN EN 60664-1
- TOOL:  
PHILLIPS SCREWDRIVER PH1.
- VARNISH ON INSIDE AREA NOT NECESSARY
- PACKAGING:  
10 SETS IN A CARTON



1	x	x	-					
PN/QTY	DESCRIPTION			MATERIAL	COLOR/SURFACE	NOTE	ITEM	
1				BULKHEAD HOUSING	ALU	BLACK	SERIES HIP-K - WITHOUT LOGO	9
				GLUE	CYANACRYLAT	BLACK	LOCTITE 480	8
				GLUE	CYANACRYLAT	NATURAL	LOCTITE 401	7
1	1	1	1	O - RING	NBR	BLACK	3.0x1.0	6
1	1	1	1	SREW COUNTERSUNK RAISED HEAD	STAINL. STEEL V2A	-	M3x6 PH1 DIN EN ISO 7047	5
2	2	2	2	PROFILE SEAL	FKM	BLACK	SERIES EMV / HIP	4
	1	-	-	BULKHEAD HOUSING	ALU	BLACK	SERIES HIP-K WEIDMÜLLER LOGO	3
	-	1	-	BULKHEAD HOUSING	ALU	BLACK	SERIES HIP-K	2
	-	-	1	BULKHEAD HOUSING	ALU	GREY	SERIES HIP	1

0-2	HIP-K.3/4.AG-N
0-1	HIP-K.3/4.AG.WE
2-5	HIP-K.3/4.AG
1-5	HIP.3/4.AG
PART NO.	ORDERING TEXT

THIS DRAWING IS A CONTROLLED DOCUMENT.

DWN V.GLUMM 12AUG2009  
 CHK H.Braun 12AUG2009  
 APVD T.Schnurfeil 12AUG2009

**STE** TE Connectivity

NAME BULKHEAD HOUSING ASS'Y, BOTTOM ENTRY  
 SERIES HIP, SIZE 1

SIZE A3 CAGE CODE 00779 DRAWING NO C-1102603 RESTRICTED TO -

CUSTOMER DRAWING SCALE 1:1 SHEET 1 OF 1 REV B

DIMENSIONS:	TOLERANCES UNLESS OTHERWISE SPECIFIED:
mm	0 PLC ±
	1 PLC ±
	2 PLC ±
	3 PLC ±
	4 PLC ±
	ANGLES ±°
MATERIAL -	FINISH -