

QB-78K0RFX3

In-Circuit Emulator

User's Manual

Target Devices:

78K0R/FB3

78K0R/FC3

78K0R/FE3

78K0R/FF3

78K0R/FG3

78K0R/HC3

78K0R/HE3

78K0R/HF3

78K0R/HG3

All information contained in these materials, including products and product specifications, represents information on the product at the time of publication and is subject to change by Renesas Electronics Corp. without notice. Please review the latest information published by Renesas Electronics Corp. through various means, including the Renesas Electronics Corp. website (<http://www.renesas.com>).

Notice

1. All information included in this document is current as of the date this document is issued. Such information, however, is subject to change without any prior notice. Before purchasing or using any Renesas Electronics products listed herein, please confirm the latest product information with a Renesas Electronics sales office. Also, please pay regular and careful attention to additional and different information to be disclosed by Renesas Electronics such as that disclosed through our website.
2. Renesas Electronics does not assume any liability for infringement of patents, copyrights, or other intellectual property rights of third parties by or arising from the use of Renesas Electronics products or technical information described in this document. No license, express, implied or otherwise, is granted hereby under any patents, copyrights or other intellectual property rights of Renesas Electronics or others.
3. You should not alter, modify, copy, or otherwise misappropriate any Renesas Electronics product, whether in whole or in part.
4. Descriptions of circuits, software and other related information in this document are provided only to illustrate the operation of semiconductor products and application examples. You are fully responsible for the incorporation of these circuits, software, and information in the design of your equipment. Renesas Electronics assumes no responsibility for any losses incurred by you or third parties arising from the use of these circuits, software, or information.
5. When exporting the products or technology described in this document, you should comply with the applicable export control laws and regulations and follow the procedures required by such laws and regulations. You should not use Renesas Electronics products or the technology described in this document for any purpose relating to military applications or use by the military, including but not limited to the development of weapons of mass destruction. Renesas Electronics products and technology may not be used for or incorporated into any products or systems whose manufacture, use, or sale is prohibited under any applicable domestic or foreign laws or regulations.
6. Renesas Electronics has used reasonable care in preparing the information included in this document, but Renesas Electronics does not warrant that such information is error free. Renesas Electronics assumes no liability whatsoever for any damages incurred by you resulting from errors in or omissions from the information included herein.
7. Renesas Electronics products are classified according to the following three quality grades: "Standard", "High Quality", and "Specific". The recommended applications for each Renesas Electronics product depends on the product's quality grade, as indicated below. You must check the quality grade of each Renesas Electronics product before using it in a particular application. You may not use any Renesas Electronics product for any application categorized as "Specific" without the prior written consent of Renesas Electronics. Further, you may not use any Renesas Electronics product for any application for which it is not intended without the prior written consent of Renesas Electronics. Renesas Electronics shall not be in any way liable for any damages or losses incurred by you or third parties arising from the use of any Renesas Electronics product for an application categorized as "Specific" or for which the product is not intended where you have failed to obtain the prior written consent of Renesas Electronics. The quality grade of each Renesas Electronics product is "Standard" unless otherwise expressly specified in a Renesas Electronics data sheets or data books, etc.
 - "Standard": Computers; office equipment; communications equipment; test and measurement equipment; audio and visual equipment; home electronic appliances; machine tools; personal electronic equipment; and industrial robots.
 - "High Quality": Transportation equipment (automobiles, trains, ships, etc.); traffic control systems; anti-disaster systems; anti-crime systems; safety equipment; and medical equipment not specifically designed for life support.
 - "Specific": Aircraft; aerospace equipment; submersible repeaters; nuclear reactor control systems; medical equipment or systems for life support (e.g. artificial life support devices or systems), surgical implantations, or healthcare intervention (e.g. excision, etc.), and any other applications or purposes that pose a direct threat to human life.
8. You should use the Renesas Electronics products described in this document within the range specified by Renesas Electronics, especially with respect to the maximum rating, operating supply voltage range, movement power voltage range, heat radiation characteristics, installation and other product characteristics. Renesas Electronics shall have no liability for malfunctions or damages arising out of the use of Renesas Electronics products beyond such specified ranges.
9. Although Renesas Electronics endeavors to improve the quality and reliability of its products, semiconductor products have specific characteristics such as the occurrence of failure at a certain rate and malfunctions under certain use conditions. Further, Renesas Electronics products are not subject to radiation resistance design. Please be sure to implement safety measures to guard them against the possibility of physical injury, and injury or damage caused by fire in the event of the failure of a Renesas Electronics product, such as safety design for hardware and software including but not limited to redundancy, fire control and malfunction prevention, appropriate treatment for aging degradation or any other appropriate measures. Because the evaluation of microcomputer software alone is very difficult, please evaluate the safety of the final products or system manufactured by you.
10. Please contact a Renesas Electronics sales office for details as to environmental matters such as the environmental compatibility of each Renesas Electronics product. Please use Renesas Electronics products in compliance with all applicable laws and regulations that regulate the inclusion or use of controlled substances, including without limitation, the EU RoHS Directive. Renesas Electronics assumes no liability for damages or losses occurring as a result of your noncompliance with applicable laws and regulations.
11. This document may not be reproduced or duplicated, in any form, in whole or in part, without prior written consent of Renesas Electronics.
12. Please contact a Renesas Electronics sales office if you have any questions regarding the information contained in this document or Renesas Electronics products, or if you have any other inquiries.

(Note 1) "Renesas Electronics" as used in this document means Renesas Electronics Corporation and also includes its majority-owned subsidiaries.

(Note 2) "Renesas Electronics product(s)" means any product developed or manufactured by or for Renesas Electronics.

General Precautions for Handling This Product

1. Circumstances not covered by product guarantee

- If the product was disassembled, altered, or repaired by the customer
- If it was dropped, broken, or given another strong shock
- Use at overvoltage, use outside guaranteed temperature range, storing outside guaranteed temperature range
- If power was turned on while connection to the AC adapter, USB interface cable, or target system was in an unsatisfactory state
- If the cable of the AC adapter, the USB interface cable, the emulation probe, or the like was bent or pulled excessively
- If an AC adapter other than the supplied product was used
- If the product got wet
- If this product is connected to the target system when there is a potential difference between the GND of this product and GND of the target system.
- If the connectors or cables are plugged/unplugged while this product is in the power-on state.
- If excessive load is applied to the connectors or sockets (As for handling, please see **2.3 Mounting and Connecting Connectors**).
- If a metal part of the power switch, cooling fan, or another such part comes in contact with an electrostatic charge.
- If the product is used or stored in an environment where an electrostatic or electrical noise is likely to occur.

2. Safety precautions

- If used for a long time, the product may become hot (50°C to 60°C). Be careful of low temperature burns and other dangers due to the product becoming hot.
- Be careful of electrical shock. There is a danger of electrical shock if the product is used as described above in **1. Circumstances not covered by product guarantee**.

How to Use This Manual

Readers	This manual is intended for users who wish to perform debugging using the QB-78K0RFX3. The readers of this manual are assumed to be familiar with the device functions and usage, and to have knowledge of debuggers.
Purpose	This manual is intended to give users an understanding of the basic specifications and correct usage of the QB-78K0RFX3.
Organization	This manual is divided into the following sections. <ul style="list-style-type: none">• General• Setup procedure• Settings at product shipment• Cautions
How to Read This Manual	<p>It is assumed that the readers of this manual have general knowledge in the fields of electrical engineering, logic circuits, and microcontrollers.</p> <p>This manual describes the basic setup procedures and how to set switches.</p> <p>To understand the overall functions and usages of the QB-78K0RFX3</p> <p>→ Read this manual in the order of the CONTENTS. The mark <R> shows major revised points. The revised points can be easily searched by copying an "<R>" in the PDF file and specifying it in the "Find what:" field.</p> <p>To know the manipulations, command functions, and other software-related settings of the QB-78K0RFX3</p> <p>→ See the user's manual of the debugger (supplied with the QB-78K0RFX3) to be used.</p>
Conventions	<p>Note: Footnote for item marked with Note in the text</p> <p>Caution: Information requiring particular attention</p> <p>Remark: Supplementary information</p> <p>Numeric representation: Binary ... xxxx or xxxxB Decimal ... xxxx Hexadecimal ... xxxxH</p> <p>Prefix indicating power of 2 (address space, memory capacity): K (kilo): $2_{10} = 1,024$ M (mega): $2_{20} = 1,024_2$</p>

Terminology

The meanings of the terms used in this manual are described in the table below.

Term	Meaning
Target device	This is the device to be emulated.
Target system	This is the system to be debugged. This includes the target program and the hardware provided by the user.
IECUBE™	Generic name for Renesas Electronics' high-performance / compact in-circuit emulator.

Related Documents

Please use the following documents in conjunction with this manual.

The related documents listed below may include preliminary versions. However, preliminary versions are not marked as such.

Documents Related to Development Tools (User's Manuals)

Document Name		Document Number
QB-78K0RFX3 In-Circuit Emulator		This manual
CubeSuite+ Integrated Development Environment User's Manual	Start	R20UT0727E
	78K0R Design	R20UT0547E
	RL78,78K0R Cording	R20UT0729E
	RL78,78K0R Build	R20UT0730E
	78K0R Debug	R20UT0732E
	Analysis	R20UT0735E
	Message	R20UT0736E

Caution The related documents listed above are subject to change without notice. Be sure to use the latest version of each document for designing, etc.

IECUBE is a registered trademark of Renesas Electronics Corporation in Japan and Germany.

Windows is either registered trademarks or trademarks of Microsoft Corporation in the United States and/or other countries.

PC/AT is a trademark of International Business Machines Corporation.

CONTENTS

CHAPTER 1 GENERAL.....	7
1.1 Hardware Specifications	8
1.2 Names and Functions of Hardware	9
1.3 System Specifications.....	11
1.4 System Configuration	12
1.5 System Configuration for Each Target Device	14
1.6 Package Contents	15
1.7 AC Adapter for IECUBE.....	17
CHAPTER 2 SETUP PROCEDURE.....	18
2.1 Software Settings.....	19
2.2 Clock Settings.....	19
2.3 Mounting and Connecting Connectors	23
2.3.1 Mounting NQ to target system.....	23
2.3.2 Mounting YQ to NQ	24
2.3.3 Plugging EA into YQ.....	24
2.3.4 Precautions for handling NQ, YQ, SA, and CA	25
2.3.5 Precautions for mounting IC using NQ and MA	26
2.4 Connecting QB-78K0RFX3 to Target System	27
2.5 Notes on Power Supply and GND Pin Connection.....	30
2.6 Connecting USB Interface Cable and AC Adapter	30
2.7 Switching Power On and Off.....	30
CHAPTER 3 SETTINGS AT PRODUCT SHIPMENT.....	31
CHAPTER 4 CAUTIONS	32
4.1 Cautions Regarding Differences Between Target Device and Emulator	32
4.2 Debugging Note.....	34

CHAPTER 1 GENERAL

The QB-78K0RFX3 is an in-circuit emulator for emulating the 78K0R/FX3 or 78K0R/Hx3.

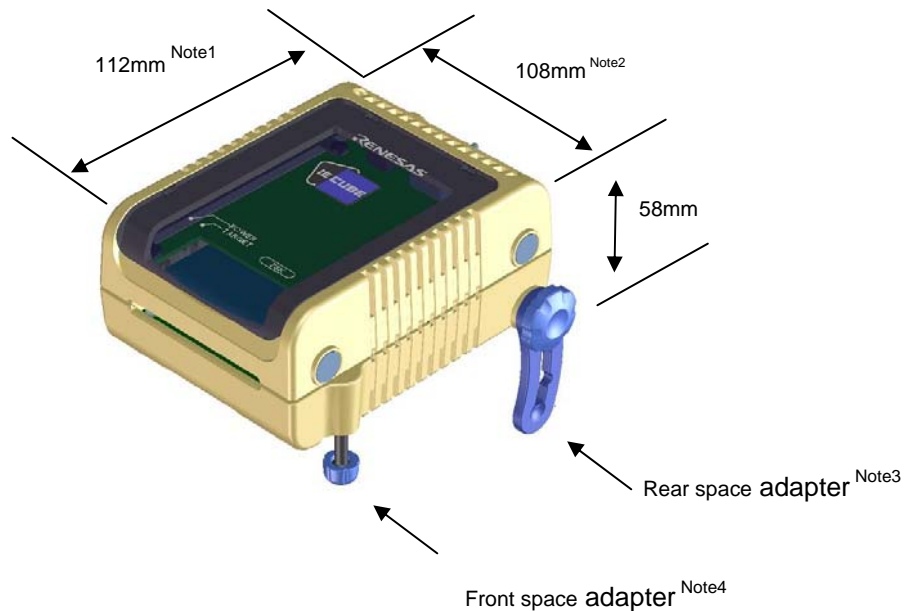
Hardware and software can be debugged efficiently in the development of systems in which the 78K0R/FX3 or 78K0R/Hx3 is used. This manual describes basic setup procedures, hardware specifications, system specifications, and how to set switches.

1.1 Hardware Specifications

Table 1-1. QB-78K0RFX3 Hardware Specifications

Parameter		Specification
Target device		78K0R/FB3, 78K0R/FC3, 78K0R/FE3, 78K0R/FF3, 78K0R/FG3, 78K0R/HC3, 78K0R/HE3, 78K0R/HF3, 78K0R/HG3
Operating voltage		2.7 to 5.5V
Operating frequency ^{Note1}	High-speed system clock	2.7 V ≤ V _{DD} ≤ 5.5 V :2 to 24 MHz
	Internal high-speed oscillation clock	2.7 V ≤ V _{DD} ≤ 5.5V :4 MHz, 8 MHz
Operating temperature range		0 to 40°C (No condensation)
Storage temperature range		-15 to 60°C (No condensation)
External dimensions		See figure below
Power consumption	Target system power supply	Voltage: 2.7 to 5.5 V Current: approx. 3.3 mA MAX
Weight		Approx. 300 g
Host interface		USB interface (1.1, 2.0)

Note1 Errors are within ±0.5%. However, this does not apply to errors of the oscillator or clock system on the target board.



- Notes**
1. Does not include projection of power switch
 2. Includes projection of screw that fixes rear space adapter
 3. Rear space adapter can adjust the height from 30 mm (longest) to 0 mm (shortest)
 4. Front space adapter can adjust the height from 20 mm (longest) to 5 mm (shortest)

1.2 Names and Functions of Hardware

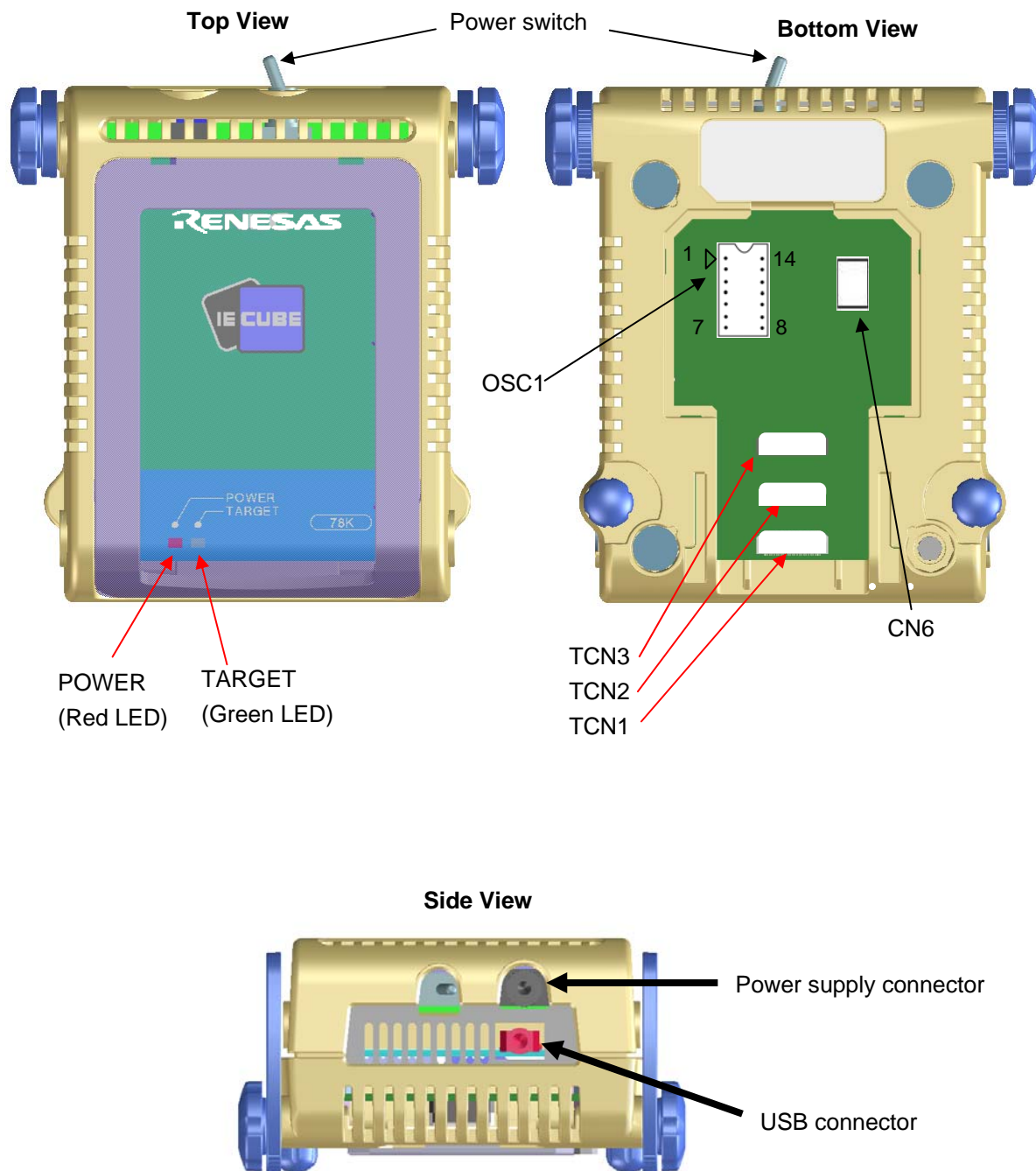


Figure 1-1. Names of Parts of QB-78K0RFX3

(1) TCN1, TCN2, TCN3

These are connectors for connecting a check pin adapter or emulation probe.

(2) OSC1

This is a socket for mounting the oscillator.

(3) CN6

This is a connector for the shipment inspection. It is not something that the user will need.

(4) POWER (Red LED)

This is an LED that shows whether the power supply of the QB-78K0RFX3 is switched on.

LED State	QB-78K0RFX3 State
Lit	Power switch ON
Not lit	Power switch OFF or AC adapter not connected to QB-78K0RFX3
Blinking	Internal error occurred (Contact an Renesas Electronics sales representative or distributor)

(5) TARGET (Green LED)

This is an LED that shows whether the power supply of the target system is switched on.

LED State	Target System State
Lit	Target system power supply ON
Not lit	Target system power supply OFF or target system not connected

(6) Power switch

This is the power switch of the QB-78K0RFX3.

It is OFF at shipment.

1.3 System Specifications

This section shows the QB-78K0RFX3 system specifications.

Table 1-2. QB-78K0RFX3 System Specifications

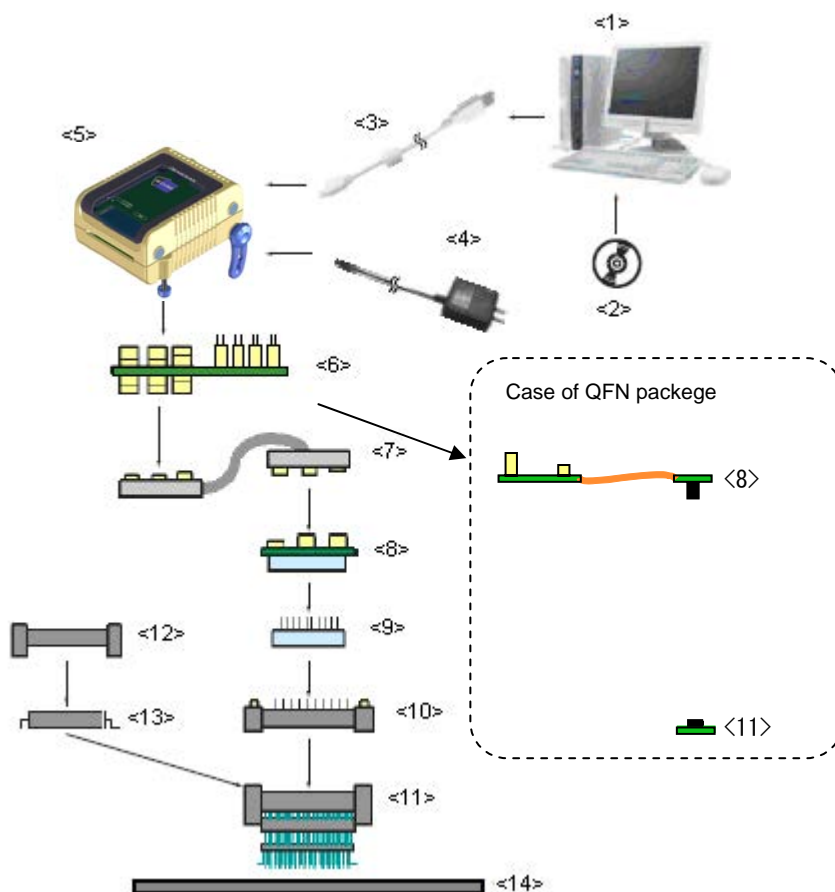
Parameter		Specification
Emulation memory capacity	Internal ROM	512 KB (MAX.)
	Internal RAM	61.75 KB (MAX.)
Program execution functions	Real-time execution function	Go, Start from Here, Come Here, Restart, Return Out, Ignore break points and Go
	Non-real-time execution function	Step In, Next Over, Slowmotion, Go & Go
Memory manipulation		Available (initialize, copy, compare)
Register manipulation		Available (general-purpose registers, control registers, SFRs)
Disassemble function		Available
Local variable view		Local variables
Watch data view		Local variables, global variables, or else
Stack trace view		Available
Break functions	Event break	Execution: 8 points Access: 8 points
	Software break	2000 points
	Pre-execution break	4 to 8 points ^{Note}
	Fail-safe break	Non-map, write protect, SFR illegal access, stack overflow, or else
	Other	Forcible break, trace full break, trace delay break, timeout break, timer overflow break
Trace functions	Trace data types	Program address, program data, access address, access data, status, time tag
	Trace modes	Unconditional trace, section trace, qualify trace, delay trigger trace
	Trace functions	Non-stop, full stop, full break, delay trigger stop, delay trigger break
	Memory capacity	128K frames
Real-time RAM monitoring function		All internal RAM spaces
Time measurement functions	Measurement clock	120 MHz
	Measurement objects	Start through end of program execution Start event through end event
	Maximum measurement time	Approx. 40 hours and 43 minutes
	Minimum resolution	8ns
	Number of timers for measurement	Start through end of program execution: 1 Start event through end event: 2
	Measurement results	Execution time (start through end of execution) Maximum, minimum, average, total, pass count (between events)
	Other	Timer overflow break function, timeout break function
Other functions		Command functions set in the console, mapping function, event function, coverage function, snapshot function, DMM function, power-off emulation function, pin mask function, flash self programming emulation function

Note The number of breaks that can be set varies depending on the location where the break is set.

1.4 System Configuration

This section shows the system configuration when using the QB-78K0RFX3 connected to a PC (Windows™ PC, PC/AT™ compatible). Connection is possible even without optional products.

Figure 1-2. System Configuration



- <1> Host machine : Windows PC, IBM PC/AT compatible can be used
- <2> Accessory Disk : Manual, etc.
- <3> USB interface cable : Cable connecting QB-78K0RFX3 to host machine
- <4> AC adapter : AC adapters classified by region
- <5> QB-78K0RFX3 : This product
- <6> Check pin adapter (optional) : Adapter used for monitoring waveforms with oscilloscope
- <7> Emulation probe : High-characteristic FPC type emulation probe
- <8> Exchange adapter : Adapter that performs pin conversion
- <9> Space adapter (optional) : Adapter used for height adjustment
- <10> YQ connector : Connector that connects exchange adapter to target connector
- <11> Target connector : Connector soldered to target system
- <12> Mount adapter (optional) : Adapter used for mounting target device into socket
- <13> Device : Target device
- <14> Target system

- Remarks 1.** Refer to **1.6 Package Contents** for the purchase forms of the above products.
- 2.** As for handling of connectors, refer to **2.3 Mounting and Connecting Connectors**.
 - 3.** The part number of <4> differs depending on the region of use. See **Table 1-5 Part Numbers of AC Adapter for IECUBE Classified by Region** for the part numbers. The IECUBE requires an AC adapter that must be purchased separately.
 - 4.** See **Table 1-4 Common Probe and Adapter** for the part numbers of <6> and <7>.
 - 5.** The combination of <8>, <9>, <10>, <11>, and <12> varies depending on the emulation device. See **Table 1-3 Adapters and Connectors for Each Target Device** for the combinations.

1.5 System Configuration for Each Target Device

The following table lists the system configuration for each target device of the QB-78K0RFX3.

The adapter and connector for each device, and common probe and adapter are sold separately. An exchange adapter, a YQ connector, a target connector, and an emulation probe are included, depending on the order product name. For details, refer to **1.6 Package Contents**.

Remark For the package drawings of the connector, adapter, and probe, refer to the following URL.
<http://www.renesas.com/iecube/78k0r>

Table 1-3. Adapters and Connectors for Each Target Device

Target Device	Package	Exchange Adaptor	Space Adaptor	YQ Connector	Target Connector	Emulation Probe	Mount Adaptor
78K0R/FB3	30MC	QB-30MC-EA-06T	QB-30MC-YS-01T	QB-30MC-YQ-01T	QB-30MC-NQ-01T	QB-80-EP-01T	QB-30MC-HQ-01T
	32K8	QB-32K8-EA-01T	-	-	QB-32K8-NQ-02T	QB-80-EP-01T	-
78K0R/FC3	40K8	QB-40K8-EA-01T	-	-	QB-40K8-NQ-01T	QB-80-EP-01T	-
	48GA	QB-48GA-EA-05T	QB-48GA-YS-01T	QB-48GA-YQ-01T	QB-48GA-NQ-01T	QB-80-EP-01T	QB-48GA-HQ-01T
	48K8	QB-48K8-EA-01T	-	-	QB-48K8-NQ-01T	QB-80-EP-01T	-
78K0R/FE3	64GB	QB-64GB-EA-09T	QB-64GB-YS-01T	QB-64GB-YQ-01T	QB-64GB-NQ-01T	QB-80-EP-01T	QB-64GB-HQ-01T
78K0R/FF3	80GK	QB-80GK-EA-10T	QB-80GK-YS-01T	QB-80GK-YQ-01T	QB-80GK-NQ-01T	QB-80-EP-01T	QB-80GK-HQ-01T
78K0R/FG3	100GC	QB-100GC-EA-09T	QB-100GC-YS-01T	QB-100GC-YQ-01T	QB-100GC-NQ-01T	QB-144-EP-02S	QB-100GC-HQ-01T
78K0R/HC3	48GA	QB-48GA-EA-05T	QB-48GA-YS-01T	QB-48GA-YQ-01T	QB-48GA-NQ-01T	QB-80-EP-01T	QB-48GA-HQ-01T
78K0R/HE3	64GB	QB-64GB-EA-09T	QB-64GB-YS-01T	QB-64GB-YQ-01T	QB-64GB-NQ-01T	QB-80-EP-01T	QB-64GB-HQ-01T
78K0R/HF3	80GK	QB-80GK-EA-10T	QB-80GK-YS-01T	QB-80GK-YQ-01T	QB-80GK-NQ-01T	QB-80-EP-01T	QB-80GK-HQ-01T
78K0R/HG3	100GC	QB-100GC-EA-09T	QB-100GC-YS-01T	QB-100GC-YQ-01T	QB-100GC-NQ-01T	QB-144-EP-02S	QB-100GC-HQ-01T

Table 1-4. Common Probe and Adapter

Name	Part Number	Target Device
Check pin adapter	QB-144-CA-01	78K0R/Fx3, 78K0R/Hx3
Emulation probe	QB-80-EP-01T	Under 80pin of 78K0R/Fx3 and 78K0R/Hx3
	QB-144-EP-02S	Over 100pin of 78K0R/Fx3 and 78K0R/Hx3

1.6 Package Contents

The included products are described for each order product name.

Products supplied with QB-78K0RFX3-ZZZ

- 1: QB-78K0RFX3
- 2: USB interface cable (2 meters)
- 3: Probe holder
- 4: Online user registration card (warranty card and software contract in one)
- 5: Packing list

Products supplied with QB-78K0RFX3-T30MC

- 1 to 5
- 6: Emulation probe QB-80-EP-01T
- 7: Exchange adapter QB-30MC-EA-06T
- 8: YQ connector QB-30MC-YQ-01T
- 9: Target connector QB-30MC-NQ-01T

Products supplied with QB-78K0RFX3-T32K8

- 1 to 5
- 6: Emulation probe QB-80-EP-01T
- 7: Exchange adapter QB-32K8-EA-01T
- 8: Target connector QB-32K8-NQ-02T

Products supplied with QB-78K0RFX3-T40K8

- 1 to 5
- 6: Emulation probe QB-80-EP-01T
- 7: Exchange adapter QB-40K8-EA-01T
- 8: Target connector QB-40K8-NQ-01T

Products supplied with QB-78K0RFX3-T48GA

- 1 to 5
- 6: Emulation probe QB-80-EP-01T
- 7: Exchange adapter QB-48GA-EA-05T
- 8: YQ connector QB-48GA-YQ-01T
- 9: Target connector QB-48GA-NQ-01T

Products supplied with QB-78K0RFX3-T48K8

- 1 to 5
- 6: Emulation probe QB-80-EP-01T
- 7: Exchange adapter QB-48K8-EA-01T
- 8: Target connector QB-48K8-NQ-01T

Products supplied with QB-78K0RFX3-T64GB

1 to 5

- 6: Emulation probe QB-80-EP-01T
- 7: Exchange adapter QB-64GB-EA-09T
- 8: YQ connector QB-64GB-YQ-01T
- 9: Target connector QB-64GB-NQ-01T

Products supplied with QB-78K0RFX3-T80GK

1 to 5

- 6: Emulation probe QB-80-EP-01T
- 7: Exchange adapter QB-80GK-EA-10T
- 8: YQ connector QB-80GK-YQ-01T
- 9: Target connector QB-80GK-NQ-01T

Products supplied with QB-78K0RFX3-T100GC

1 to 5

- 6: Emulation probe QB-144-EP-01T
- 7: Exchange adapter QB-100GC-EA-09T
- 8: YQ connector QB-100GC-YQ-01T
- 9: Target connector QB-100GC-NQ-01T

1.7 AC Adapter for IECUBE

The specifications of the AC adapter for IECUBE differ depending on the region of use. Be sure to use an AC adapter corresponding to the region of use.

Table 1-5. Part Numbers of AC Adapter for IECUBE Classified by Region

Product	Destination (Region) ^{Notes 1, 2}	Part Number ^{Note 3}
AC adapter (sold separately)	Japan	QB-COMMON-PW-JP
	USA	QB-COMMON-PW-EA
	China	QB-COMMON-PW-CN
	Hong Kong	QB-COMMON-PW-HK
	South Korea	QB-COMMON-PW-KR
	Singapore	QB-COMMON-PW-SG
	Taiwan	QB-COMMON-PW-TW

Notes 1. Products are shipped only on order from each region.

2. Contact a distributor or a Renesas Electronics sales representative for information on regions other than the above.

3. Only the AC adapter usable in each region can be ordered

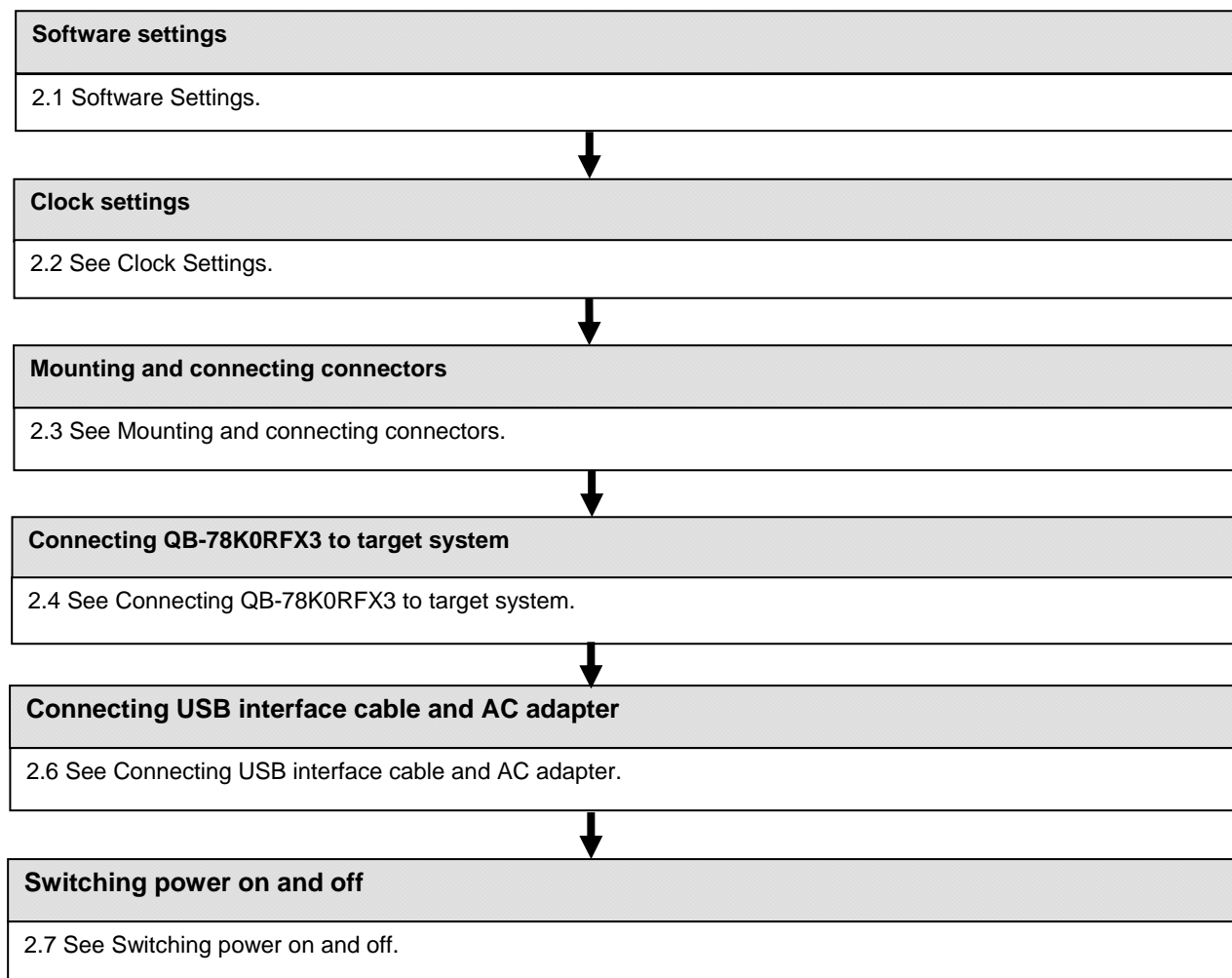
CHAPTER 2 SETUP PROCEDURE

This chapter explains the QB-78K0RFX3 setup procedure.

Setup can be completed by performing installation setup in the order in which it appears in this chapter.

Perform setup along the lines of the following procedure.

See 1.2 Names and Functions of Hardware for clock positions.



2.1 Software Settings

Check the user's manual for the debugger that will be used.

2.2 Clock Settings

The IECUBE clock must be set to the clock used by the target device. For details about how to set the clock, check the user's manual for the debugger that will be used.

IECUBE clock settings for the clock used by the target device are shown below.

Oscillation with the resonator on the target system is not supported. Therefore, the in-circuit emulator cannot emulate the oscillation operation of the clock on the target system.

Table 2-1. List of clock settings

Clock Used	Clock Supply
(1) High-speed system clock (X1 oscillator or External input)	(a) When the clock generated within the emulator is used
	(b) When the clock (a square wave) is supplied from the target system
	(c) When the oscillator (OSC1) mounted onto the emulator is used
(2) Internal high-speed oscillation clock	Uses the clock internally generated from the emulator
(3) Internal low-speed oscillation clock	Uses the clock internally generated from the emulator

(1) High-speed system clock

The clock settings are listed below.

Table 2-2. Settings for High-Speed System Clock

Type of Clock to Be Used	OSC1
(a) When the clock generated within the emulator is used	–
(b) When the clock (a square wave) is supplied from the target system ^{Note}	–
(c) When the oscillator (OSC1) mounted onto the emulator is used	Oscillator mounted

Note This setting is not possible when TARGET LED is not lit.

Remarks 1. Settings other than the above are prohibited.

2. Selection of (a) or (b) is possible regardless of whether the oscillator is not mounted in the OSC1 socket.

(a) When the clock generated within the emulator is used

This method uses the clock generated inside the emulator.

The oscillation frequency that will be used must be set in the debugger. For details about how to set the oscillation frequency, check the user's manual for the debugger that will be used.

(b) When the clock (a square wave) is supplied from the target system

The clock input from the target system is then used.

To input a clock from the target system, input to the clock pin (X2) the square-wave signal with the same voltage potential as that of the target device supply voltage (VDD). Inputting the inverted signal to X1 is not necessary.

The selectable frequencies are same as those of the target device.

For debugger settings, check the user's manual for the debugger that will be used. Oscillation by a resonator in the target system is not supported.

(c) When the oscillator (OSC1) mounted onto the emulator is used

Mount an oscillator in the OSC1 socket in the emulator and then select the "Clock socket" in the debugger.

The clock generated from the oscillator mounted on the emulator is used.

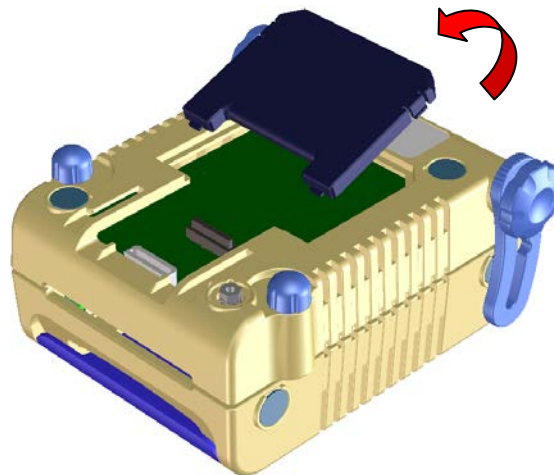
The selectable frequencies are same as those of the target device.

To modify the clock setting, the acrylic board on the bottom of the QB-78K0RFX3 must be removed.

The acrylic board can be removed by lifting it up.

For debugger settings, check the user's manual for the debugger that will be used.

Figure 2-1. Acrylic Board Removal Method



As an oscillator^{Note} to be mounted in the OSC1 socket in the emulator, use the one that satisfies the following specifications.

- Supply voltage: 5.0V
- Output level: CMOS

Note An oscillator that uses a resonator cannot be used.

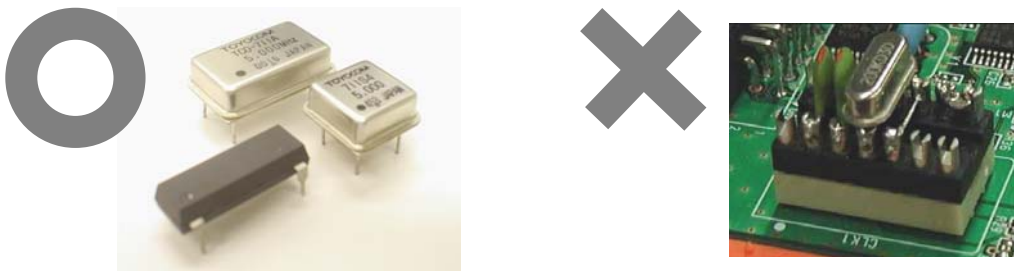
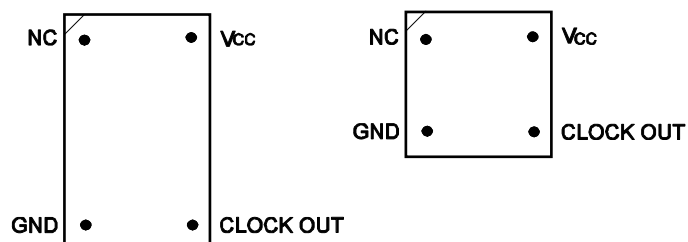
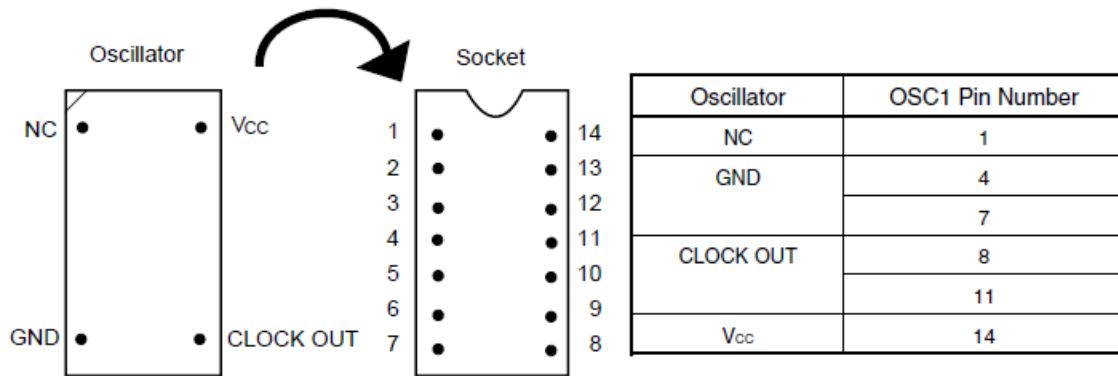


Figure 2-2. Oscillator Shape



Top View

Figure 2-3. Mapping of Oscillator to Socket



Remark Insert the oscillator into the socket, take care for the pin 1 position.

(2) Internal high-speed oscillation clock

This method uses the clock inside the emulator by configuring the use of the high-speed oscillation clock in the user program.

(3) Internal low-speed oscillation clock

This method uses the clock inside the emulator by configuring the use of the low-speed oscillation clock in the user program.

2.3 Mounting and Connecting Connectors

This section describes the methods of connecting the QB-78K0RFX3 and target system.

Make connections with both the QB-78K0RFX3 and target system powered OFF.

The following abbreviations are used in this section:

- NQ: Target connector
- YQ: YQ connector
- EA: Exchange adapter
- MA: Mount adapter
- CA: Check pin adapter
- SA: Space adapter

2.3.1 Mounting NQ to target system

(1) Thinly apply a two-component epoxy adhesive (hardening time at least 30 minutes) to the ends of the four projections on the base of the NQ and adhere the NQ to the user board (clean the surface of the target system board using alcohol or the like). If alignment of target system pads to NQ leads is difficult, align them as in (2).

(2) Align by inserting the guide pins for alignment for the NQ (NQGUAGE) through the pin holes on the top of the NQ. Accessory holes are $\phi 1.0$ mm non-through holes in two or three places.

(For hole positions, see the particular NQ drawing.)

(3) Solder after fitting the MA to the NQ. This is to prevent troubles such as flux or solder splashing and adhering to the NQ contact pins when soldering.

- | | | |
|------------------------|------------------|-----------------------------------|
| - Soldering conditions | Solder reflow | 260°C × 10 seconds or less |
| | Manual soldering | 350°C × 5 seconds or less (1 pin) |

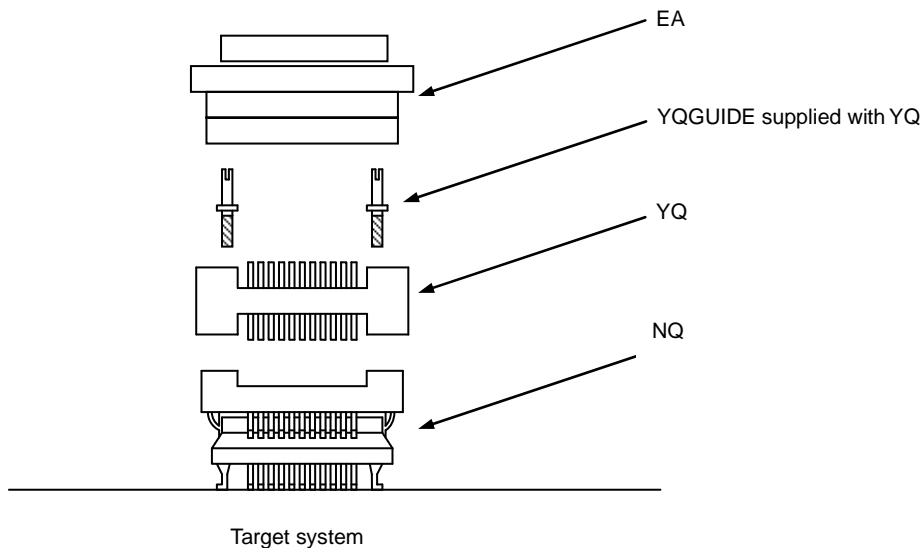
Caution Do not perform washing by flux immersion or vapor.

(4) Take away the guide pins.

2.3.2 Mounting YQ to NQ

- (1) After confirming that there are no broken or bent YQ contact pins, fit the YQ in the NQ and fasten it using the supplied YQGUIDE (for the fastening method, see the next step, (2)). If repeatedly inserting and removing, be sure to inspect the YQ pins before fitting. If pins are bent, correct them using something thin and flat such as the edge of a knife.
- (2) Fasten YQ to the NQ on the target system using the supplied YQGUIDE. Fasten the screws equally in the four corners using the supplied flat-blade screwdriver or a torque driver. The tightening torque of the YQGUIDE is 0.054 Nm (MAX.). Too great tightening causes bad connections. However, four screws for fitting to the NQ (M2 x 10 mm / 4 units) are included with the YQ.

Figure 2-4. Mounting of EA, YQ and NQ



2.3.3 Plugging EA into YQ

Match the pin 1 position of the YQ or SA (corner cuts match in both) to the pin 1 position of the EA and plug in.

- When plugging or unplugging, press on the NQ, YQ, and SA with a finger so that there is no force on the NQ.
- When plugging or unplugging, be careful of the direction of wiggling.

As a tool when unplugging, insert some kind of thin non-conductive material such as a wooden stick between the YQ (SA) and EA and wiggle while slowly unplugging. Be careful since the connector will be damaged if this is done in the wrong direction.

2.3.4 Precautions for handling NQ, YQ, SA, and CA

- (1) When taking the NQ from the box, press down on the body and take out the sponge first.
- (2) Since the pins of the YQ are thin and easily bent, be careful. When inserting it in the NQ, confirm that there are no bent pins.
- (3) When screwing a YQ soldered to a board to the NQ, fasten the screws in four places in turn using a #0 or #1 Phillips precision screwdriver or torque driver after tentatively tightening them. Fix the torque at 0.054 Nm (MAX.).
If just one place is over tightened, it may cause poor contact. Moreover, a board being connected to the YQ must have accessory holes in prescribed positions (four places: $\phi 2.3$ mm or $\phi 3.3$ mm). The $\phi 3.8$ mm or $\phi 4.3$ mm that is the screw head size is an area where wiring is prohibited.
- (4) In YQ and SA removal, since there is a danger of YQ pins being bent or broken when prying and wiggling, remove them gradually using a flat bladed screwdriver from four directions. Moreover, to connect and use the YQ and SA, screw the YQ to the NQ according to the YQGUIDE (included with the YQ) using a 2.3 mm flat bladed screwdriver and then connect it to the SA. Fix the torque at 0.054 Nm (MAX.). If even one place is over tightened, it may cause poor contact.
- (5) For the NQ, YQ, and SA, since there is a danger that washing fluid on the structure will remain in the connector, do not perform washing.
- (6) NQ, IC, and YQ cannot be used in combination.
- (7) A NQ/YQ system cannot be used in an environment of vibrations or shocks.
- (8) It is assumed that this product will be used in system development and evaluation. Moreover, when used in Japan, Electrical Appliance and Material Control Law and electromagnetic disturbance countermeasures have not been applied.
- (9) Since there are rare cases of shape change if the box is left for a long time in a place where it is 50°C or higher, for safekeeping, store it in a place where it is no higher than 40°C and direct sunlight does not hit it.
- (10) For details about handling the NQ, YQ, and SA, see the NQPACK series technical materials at the website of Tokyo Eletech Corporation.

URL: <http://www.tetc.co.jp/>

(11) CA

The CA is an optional product for IECUBE, and can be used to measure the waveform between IECUBE and the target system.

Since the pins on the CA do not correspond to the pin layout in each device, the pin header cover must be mounted according to the device to be used. For mounting methods of the pin header cover, refer to URL.

http://www.renesas.com/qb_144_ca_01

2.3.5 Precautions for mounting IC using NQ and MA

- (1) Confirm that there is no weld flash in the resin (sealant part) of the IC. If there is weld flash, remove it using a knife or the like.
- (2) Confirm that there is no weld flash breaking or bending of IC leads. In particular, confirm the planarity of IC leads. If there is abnormality in the planarity, correct that portion.
- (3) Viewing the NQ contact pins from the top, if there are foreign bodies on them, remove them using a brush or the like.
After confirming (1) to (3), fit the IC to the NQ. Also fit the MA.
- (4) Put the supplied M2 x 6 mm screws in the four accessory holes of the MA and fasten the screws in opposite corners. At that time, use either the dedicated screwdriver that is supplied or a torque driver to fasten them equally in turn with a tightening torque of 0.054 Nm (MAX.). Since the contact is poor if tightening is too great, once you have lightly fastened the MA screws, tighten them again.
- (5) Depending on the use environment, when starting up a device that has been left for a long time, starting it may be difficult. In this case, loosen the screws slightly and then retighten them.
- (6) If startup still is difficult after (5) above, check (1) to (3) again.
- (7) Tightening the screws of the MA too much may give rise to cracks in the molded part of the MA (plastic part) and bend the mold into a bowed shape, making contact poor.
- (8) After soldering the NQ, do not perform cleaning by flux immersion or vapor.

2.4 Connecting QB-78K0RFX3 to Target System

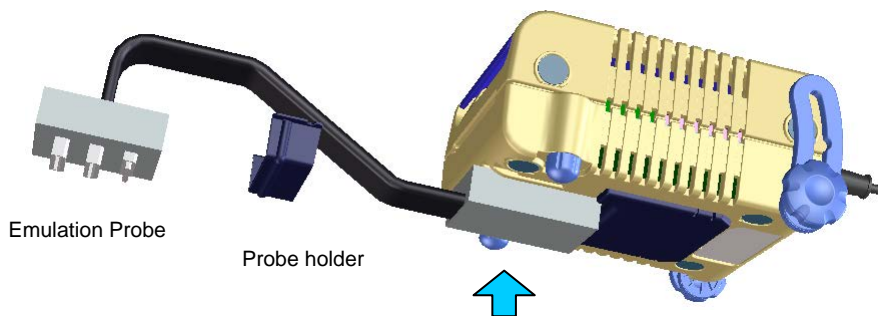
If connecting the emulation probe (QB-80-EP-01T/QB-144EP-02S), connect it to the QB-78K0RFX3 and the target system by the following procedure.

- (a) Connect the QB-78K0RFX3 to the probe.

Connect the emulation probe to the QB-78K0RFX3, as shown below.

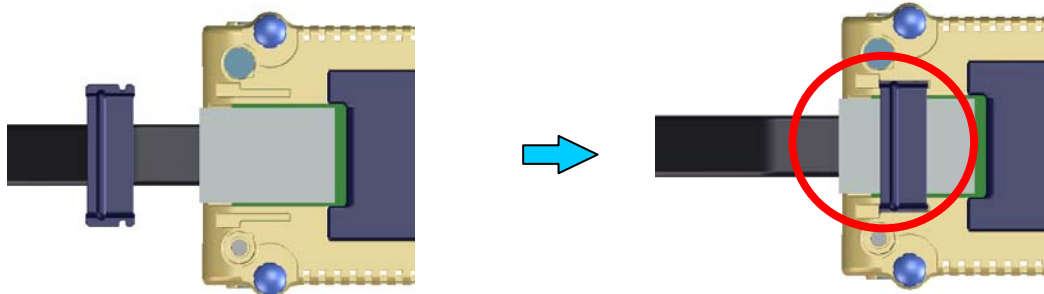
Insert CN1 and CN2 of the probe into TCN1 and TCN3 of the QB-78K0RFX3.

Figure 2-5. Connect the QB-78K0RFX3 to the probe (QB-144EP-02S)



Insert TCN1, TCN2 and TCN3 of the emulation probe into TCN1, TCN2 and TCN3 of the QB-78K0RFX3.

- <2> Insert the probe holder into the QB-78K0RFX3.



Insert the probe holder into the QB-78K0RFX3 until you hear a click (note the direction).

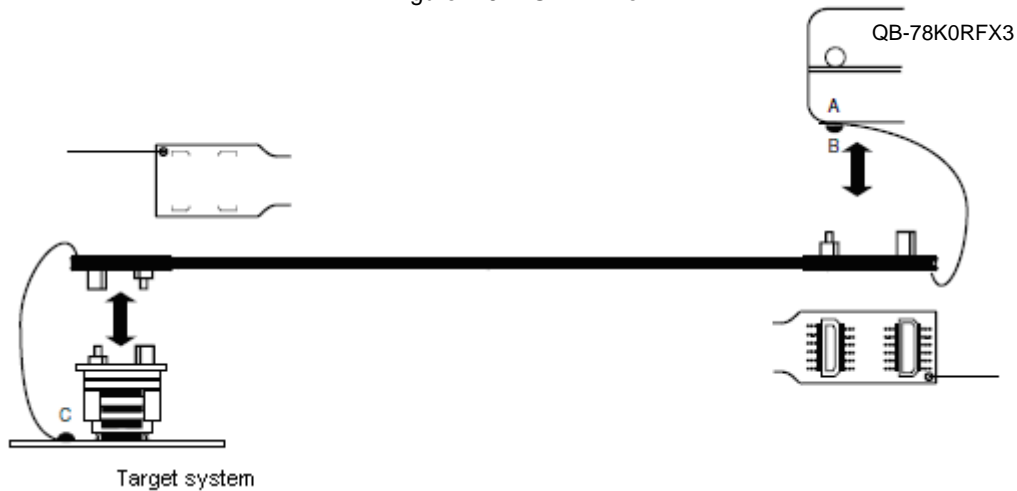
(b) Connection of emulation probe GND wire

There are three GND wires in the emulation probe. Connect them to the QB-78K0RFX3 and target system.

<1> Fasten the GND wire on the QB-78K0RFX3 side of the emulation probe to the nut on the bottom of the QB-78K0RFX3 using a #0 or #1 Phillips precision screwdriver (connection of B to A in Figure 2-6).

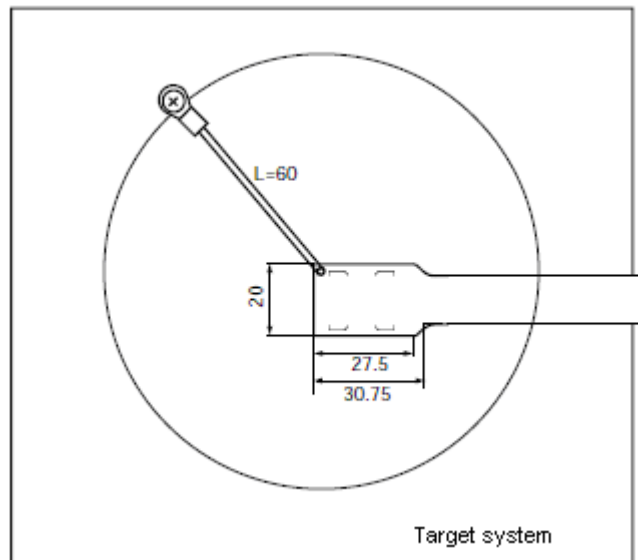
<2> Next insert the connector on the top of the emulation probe into the connector at the opening on the bottom of the QB-78K0RFX3 from below being careful of the insertion direction.

Figure 2-6. GND Wire



- <3> Connect the exchange adapter and emulation probe to the target connector.
- <4> Connect the GND wires on the target system side of the emulation probe to the target system GND. If a pin or screw is fastened to the target system GND, remove the transparent terminal cover on the end of the GND wire and fasten the Y terminal of the GND wire to the target system (C in Figure 2-6). If the GND on the target system is an exposed pad, likewise fasten the Y terminal to the pad on the target system by soldering (recommended soldering iron temperature setting: 300°C).
- <5> Since the length of the GND wire below the head (insulated part) is approximately 60 mm, there must be a GND to which it can be connected to within the range of the two approximately 60 mm radius sections of the target system for connecting the emulation probe, as shown in Figure 2-7.

Figure 2-7 Where GND Wire Can Be Connected



(c) Ensuring isolation

When connecting the target system to the QB-78K0RFX3 using an emulation probe, perform height regulation using the front spacer or rear spacer of the QB-78K0RFX3 and ensure isolation from the target system.

(d) Precautions related to emulation probe

- <1> Be careful that stress of the emulation probe is not placed on the target connector. Moreover, when removing the emulation probe, remove it slowly while pressing down on the exchange adapter with a finger so that there is no stress on the target connector.
- <2> Be sure to connect the GND wire of the emulation probe to the QB-78K0RFX3 and the target system. If it cannot be connected, the impedance of the cable is unstable and could bring about lowering of signal transmission characteristics or distortion of the output waveform for an input waveform.

2.5 Notes on Power Supply and GND Pin Connection

For power supplies and GND pins of the target device, be sure to connect all pins to each power supply or GND.

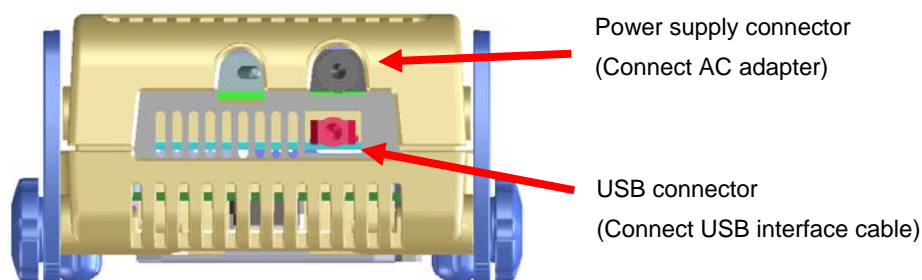
2.6 Connecting USB Interface Cable and AC Adapter

Plug the USB interface cable supplied with the QB-78K0RFX3 into the USB connector of the host machine, and plug the other side into the USB connector on the rear of the QB-78K0RFX3.

Plug the AC adapter supplied with the QB-78K0RFX3 into a receptacle and plug the other side into the power supply connector on the rear of the QB-78K0RFX3.

For QB-78K0RFX3 connector positions, see Figure 2-8.

Figure 2-8. Connector Positions



2.7 Switching Power On and Off

Be sure to switch the power on and off according to the following procedures.

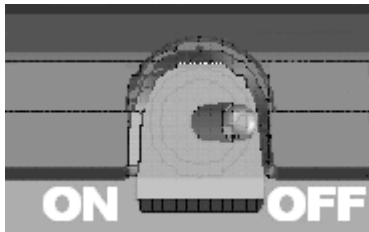
- | | |
|--|---|
| - Switching power on | - Switching power off |
| <1> QB-78K0RFX3 power on | <1> Debugger termination |
| <2> Target system power on ^{Note} | <2> Target system power off ^{Note} |
| <3> Debugger startup | <3> QB-78K0RFX3 power off |

Note In the procedures, <2> is unnecessary if the target system is not connected.

Caution If the wrong sequence was used for the operation, the target system or QB-78K0RFX3 may fail

CHAPTER 3 SETTINGS AT PRODUCT SHIPMENT

Table 3-1. Settings at Shipment

Item	Setting	Remarks
OSC1	Not mounted	Oscillator can be mounted ^{Note} .
Power switch		Set to OFF at shipment.

Note The oscillation circuit using an oscillation cannot be used.

CHAPTER 4 CAUTIONS

4.1 Cautions Regarding Differences Between Target Device and Emulator

When debugging is performed by connecting the QB-78K0RFX3 to the target system, the QB-78K0RFX3 emulates the target device as if it operates in the target system. However, the target device and the QB-78K0RFX3 operate differently in the following ways. Consequently, the target device should be used for final evaluation before launching mass production, and the customer is to be responsible for judging the appropriateness of applying the QB-78K0RFX3.

- On-chip debug function

The on-chip debug function cannot be emulated.

- Oscillator

The QB-78K0RFX3 does not support clock input by an oscillator in the target system. Consequently, the operation clock frequency when the target device is mounted in the target system may differ from the operation clock frequency when the QB-78K0RFX3 is connected.

- Pin characteristics

The pin characteristics of the QB-78K0RFX3 slightly differ when the target device is mounted to the target system, because a connector, adapter, emulation probe, and circuit board exist between the QB-78K0RFX3 and the target system. In particular, note that the A/D converter conversion results are commonly-affected.

- Target system voltage during a break

Do not decrease the voltage of the target system during a break.

A reset that is generated by the low-voltage detector (LVI) or by power-on-clear (POC) during a break may cause an incorrect operation of the debugger or communication errors.

- FLMD0 pin

Connection of the FLMD0 pin differs from that of the target device.

Table 4-1. FLMD0 Pin Connection

Item	FLMD0 Pin Connection
Target device	Protection resistance: 4.5 k Ω (TYP.) Pull-up/pull-down resistance: 10 k Ω (MIN.), 20 k Ω (TYP.), 100 k Ω (MAX.)
IECUBE	Protection resistance: 4.7 k Ω (TYP.) Pull-up/pull-down resistance: 27 k Ω (MIN.), 29 k Ω (TYP.), 32 k Ω (MAX.)

- Power-on-reset (POR) voltage value

The power-on-reset (POR) voltage value differs from that of the target device.

Table 4-2. Power-on-reset (POR) voltage value

Item		MIN.	TYP.	MAX.
Target device	V _{POR}	1.52 V	1.61 V	1.70 V
	V _{PDR}	1.50 V	1.59 V	1.68 V
IECUBE	V _{POR}	—	1.65 V	—
	V _{PDR}	—	1.55 V	—

- TTL input buffer characteristics

If the port input mode register (PIM) is used to set the input of a pin that can be set for the TTL buffer to the TTL level, the high-level input voltage characteristics differ between the target device and emulator. See Table 4-3 for details. The following pins can be set for the TTL buffer.

Target pins : P60, P61, P62, P63, P73, P75, P76, P77

Table 4-3. High-Level Input Voltage Characteristics

Item		Conditions
Target device	VIH MIN	2.2V (4.0 V ≤ VDD ≤ 5.5 V)
		2.0V (2.7 V ≤ VDD ≤ 4.0 V)
IECUBE	VIH MIN	2.0V (2.7 V ≤ VDD ≤ 5.5 V)

Note If V_{DD} is 2.0 V or less, use CMOS input.

- AD converter scan mode

When a break is performed for the A/D converter in the scan mode, the A/D converter does not stop, even during the break. It therefore becomes unclear which value stored in the conversion result registers is the conversion result of which ANI pin.

When a break is performed for the A/D converter in the scan mode, do not execute the program again. (Reset the CPU first.)

4.2 Debugging Note

- Operation after target system power application

After power application, a program will be executed for the target device mounted in the target system when reset is released. However, with the QB-78K0RFX3, the program does not start until an operation to start execution is performed after the program is downloaded using the debugger.

- Relation between Standby function and Break function

The break is interrupt function of CPU. The standby mode is released by the break for using the following debug function.

- Stops execution of the user program.
- Step execution of the standby instruction (Stops user program after execution instruction)
- Pseudo real-time RAM monitor function (Break When Readout)
- Pseudo Dynamic Memory Modification (Break When Write)
- Breakpoint setting executing of the user program.

REVISION HISTORY

Revisions up to the previous edition are shown below. The “Applied to” column indicates the chapter in each edition to which the revision was applied.

Edition	Description	Applied to
2nd edition	1.6 Package Contents - Addition and change Package Contents.	CHAPTER 1 GENERAL
	CHAPTER 2 SETUP PROCEDURE - Description about debugger is corrected.	CHAPTER 2 SETUP PROCEDURE
	CHAPTER4 CAUTIONS - Cautions of non-relevance ware deleted.	CHAPTER 4 CAUTIONS

QB-78K0RFX3
In-Circuit Emulator
User's Manual

Publication Date: August 3rd, 2011 Rev.1.00
April 27th, 2012 Rev.2.00

Published by: Renesas Electronics Corporation

**SALES OFFICES****Renesas Electronics Corporation**<http://www.renesas.com>Refer to "<http://www.renesas.com/>" for the latest and detailed information.

Renesas Electronics America Inc.
2880 Scott Boulevard Santa Clara, CA 95050-2554, U.S.A.
Tel: +1-408-588-6000, Fax: +1-408-588-6130

Renesas Electronics Canada Limited
1101 Nicholson Road, Newmarket, Ontario L3Y 9C3, Canada
Tel: +1-905-898-5441, Fax: +1-905-898-3220

Renesas Electronics Europe Limited
Dukes Meadow, Millboard Road, Bourne End, Buckinghamshire, SL8 5FH, U.K
Tel: +44-1628-585-100, Fax: +44-1628-585-900

Renesas Electronics Europe GmbH
Arcadiastrasse 10, 40472 Düsseldorf, Germany
Tel: +49-211-65030, Fax: +49-211-6503-1327

Renesas Electronics (China) Co., Ltd.
7th Floor, Quantum Plaza, No.27 ZhiChunLu Haidian District, Beijing 100083, P.R.China
Tel: +86-10-8235-1155, Fax: +86-10-8235-7679

Renesas Electronics (Shanghai) Co., Ltd.
Unit 204, 205, AZIA Center, No.1233 Lujiazui Ring Rd., Pudong District, Shanghai 200120, China
Tel: +86-21-5877-1818, Fax: +86-21-6887-7858 / -7898

Renesas Electronics Hong Kong Limited
Unit 1601-1613, 16/F., Tower 2, Grand Century Place, 193 Prince Edward Road West, Mongkok, Kowloon, Hong Kong
Tel: +852-2886-9318, Fax: +852-2886-9022/9044

Renesas Electronics Taiwan Co., Ltd.
13F, No. 363, Fu Shing North Road, Taipei, Taiwan
Tel: +886-2-8175-9600, Fax: +886 2-8175-9670

Renesas Electronics Singapore Pte. Ltd.
1 harbourFront Avenue, #06-10, keppel Bay Tower, Singapore 098632
Tel: +65-6213-0200, Fax: +65-6278-8001

Renesas Electronics Malaysia Sdn.Bhd.
Unit 906, Block B, Menara Amcorp, Amcorp Trade Centre, No. 18, Jln Persiaran Barat, 46050 Petaling Jaya, Selangor Darul Ehsan, Malaysia
Tel: +60-3-7955-9390, Fax: +60-3-7955-9510

Renesas Electronics Korea Co., Ltd.
11F., Samik Lavied' or Bldg., 720-2 Yeoksam-Dong, Kangnam-Ku, Seoul 135-080, Korea
Tel: +82-2-558-3737, Fax: +82-2-558-5141

QB-78K0RFX3
In-Circuit Emulator
User's Manual