

4

3

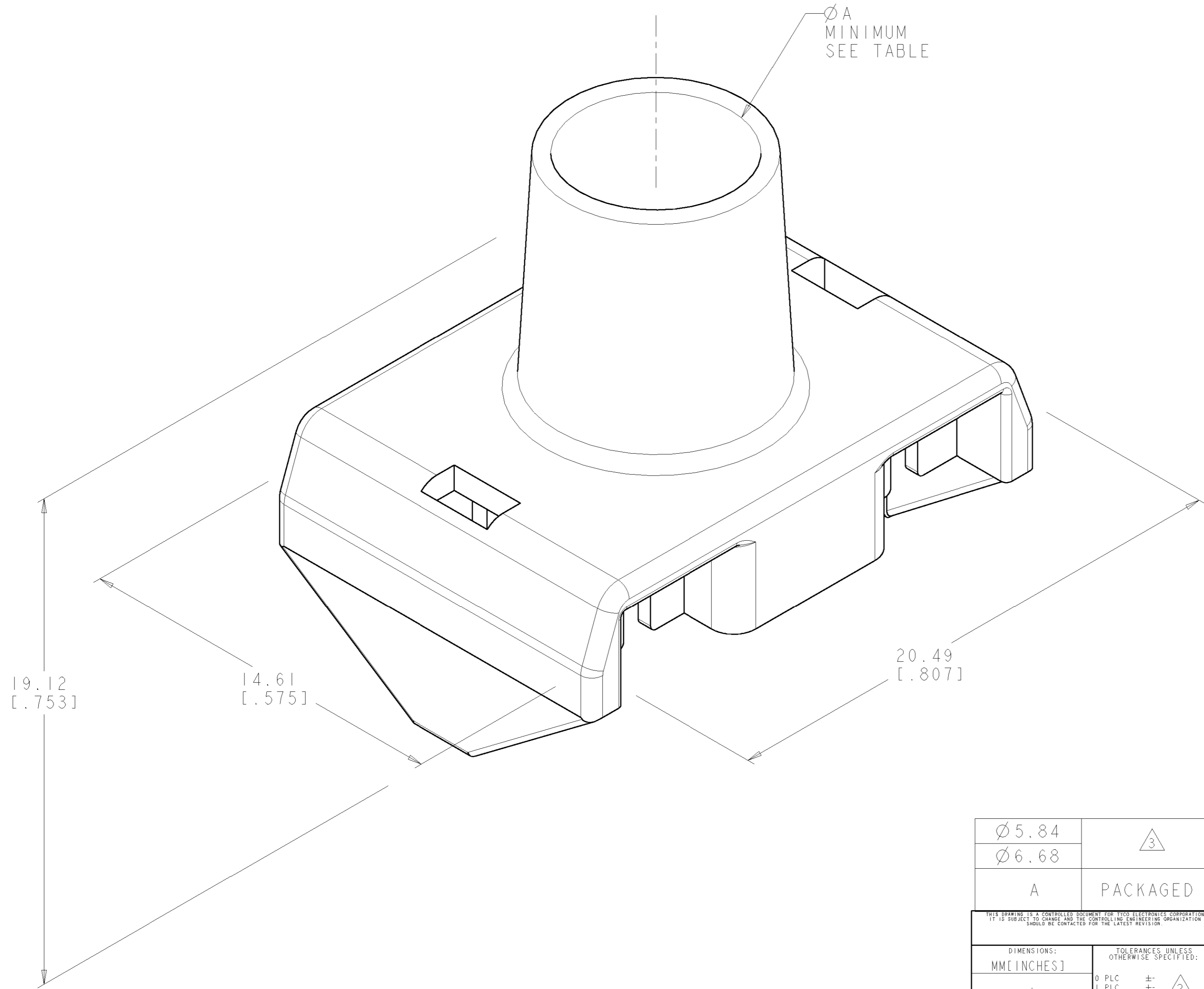
2

1

THIS DRAWING IS UNPUBLISHED. RELEASED FOR PUBLICATION 20

© COPYRIGHT 20 BY TYCO ELECTRONICS CORPORATION. ALL RIGHTS RESERVED.

LOC	DIST	REVISIONS					
HM	00	P	LTR	DESCRIPTION	DATE	DWN	APVD
		0		REV - EC 0B40-0222-01	28SEP01	LH	CD
		A		REV, 0B40-0128-02	14MAY02	TP	CD
		B		REV; EC 0B40-0105-03	14MAY03	GG	CD



- 1 MATERIAL: POLYCARBONATE, SEE TABLE FOR COLOR.
- 2 DIMENSIONS ARE MAXIMUM UNLESS OTHERWISE NOTED.
- 3 PACKAGED 25 STRAIN RELIEFS PER POLYBAG.

Ø 5.84	3	LIGHT BLUE	CATEGORY 5e	1375200-2
Ø 6.68		SMOKED GRAY	CATEGORY 6	1375200-1
A	PACKAGED	COLOR 1	DESCRIPTION	PART NO.

<small>THIS DRAWING IS A CONTROLLED DOCUMENT FOR TYCO ELECTRONICS CORPORATION. IT IS SUBJECT TO CHANGE AND THE CONTROLLING ENGINEERING ORGANIZATION SHOULD BE CONTACTED FOR THE LATEST REVISION.</small>		DWN L. HALL 27SEP01	tyco Tyco Electronics Electronics Harrisburg, PA 17105-3608	
DIMENSIONS: MM [INCHES]		CHK L. SMITH 27SEP01	NAME BEND-LIMITING STRAIN RELIEF	
TOLERANCES UNLESS OTHERWISE SPECIFIED: 0 PLC ± 2 1 PLC ± 2 PLC ± 3 PLC ± 4 PLC ± ANGLES ± FINISH -		APVD C. DOOLEY 28SEP01	RESTRICTED TO	
MATERIAL	1	PRODUCT SPEC	SIZE	A2
		APPLICATION SPEC	CAGE CODE	00779
		WEIGHT	DRAWING NO	1375200
CUSTOMER DRAWING		SCALE		10:1
		SHEET		1 OF 1
		REV		B