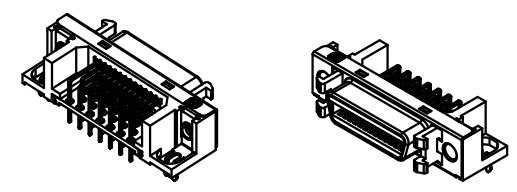
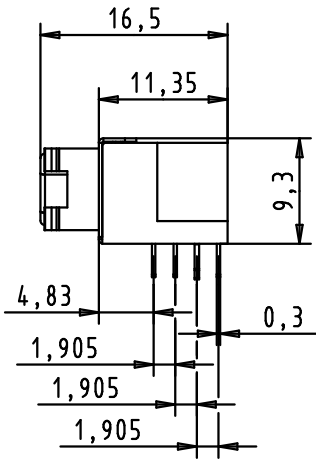
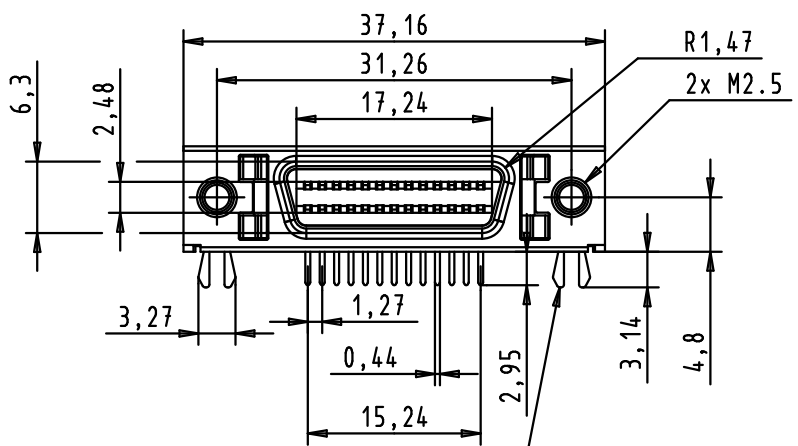


PCB Layout : component side



According to IEC 61076-3-100

1) see TB 60 11 026 5740 folio 2/2 for reel packaging

$F_i < 10N$; $F_r > 1N$
with PCB thickness 1.6 - 2.0 mm

EC01997	22-JUN-10	JB		Dat.	Name	<p>All Dim. in mm Orig. Size DIN A 4</p>	har.mik® I/O bellow 26 poles female SMC with angled solder pins, boardlocks, fixed latches	Maßstab/ Scale 1.5:1
33796	07Aug2006	ED	Detail.	25/07/05	ED			
33470	03-MAY-06	JB	Insp.					
33103	21/09/05	ED	Stand.					
32983	01/08/05	ED	HARTING EURL F-95972 Paris				TB 60 11 026 5740	Blatt/ Page 1 / 2
32978	25/07/05	ED						
Mod.	Dat.	Name						