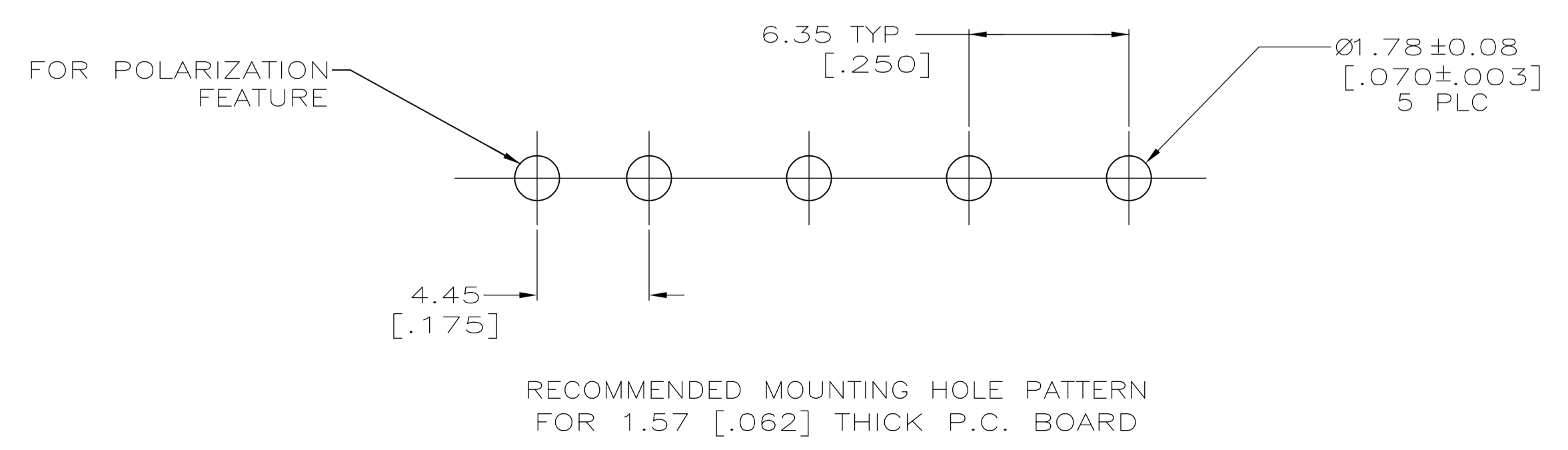
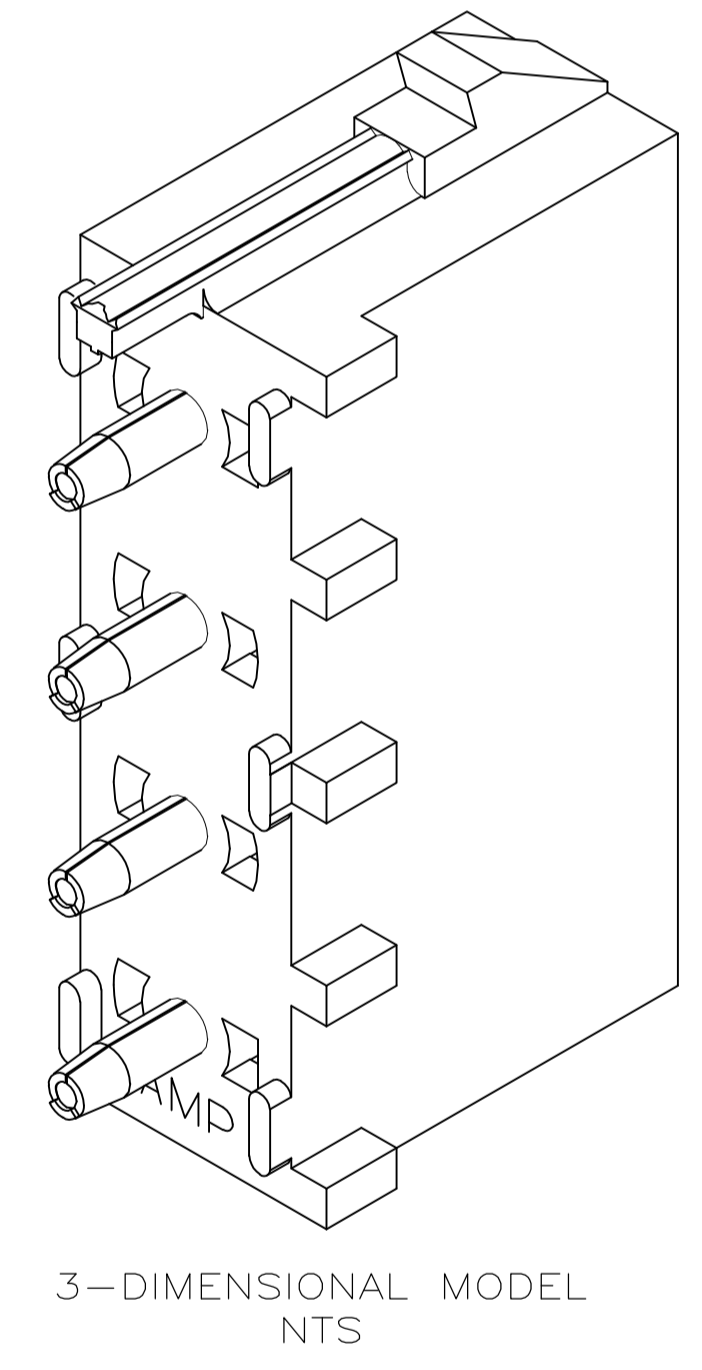
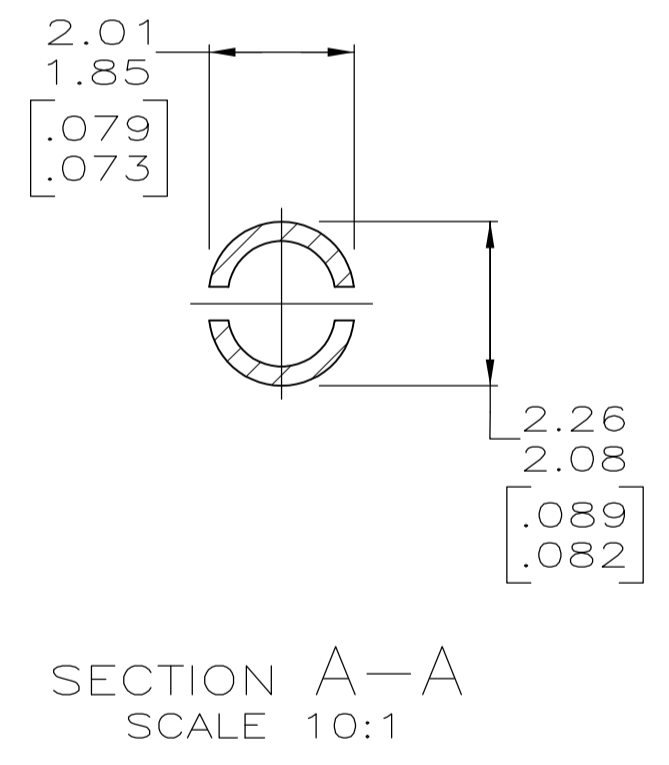
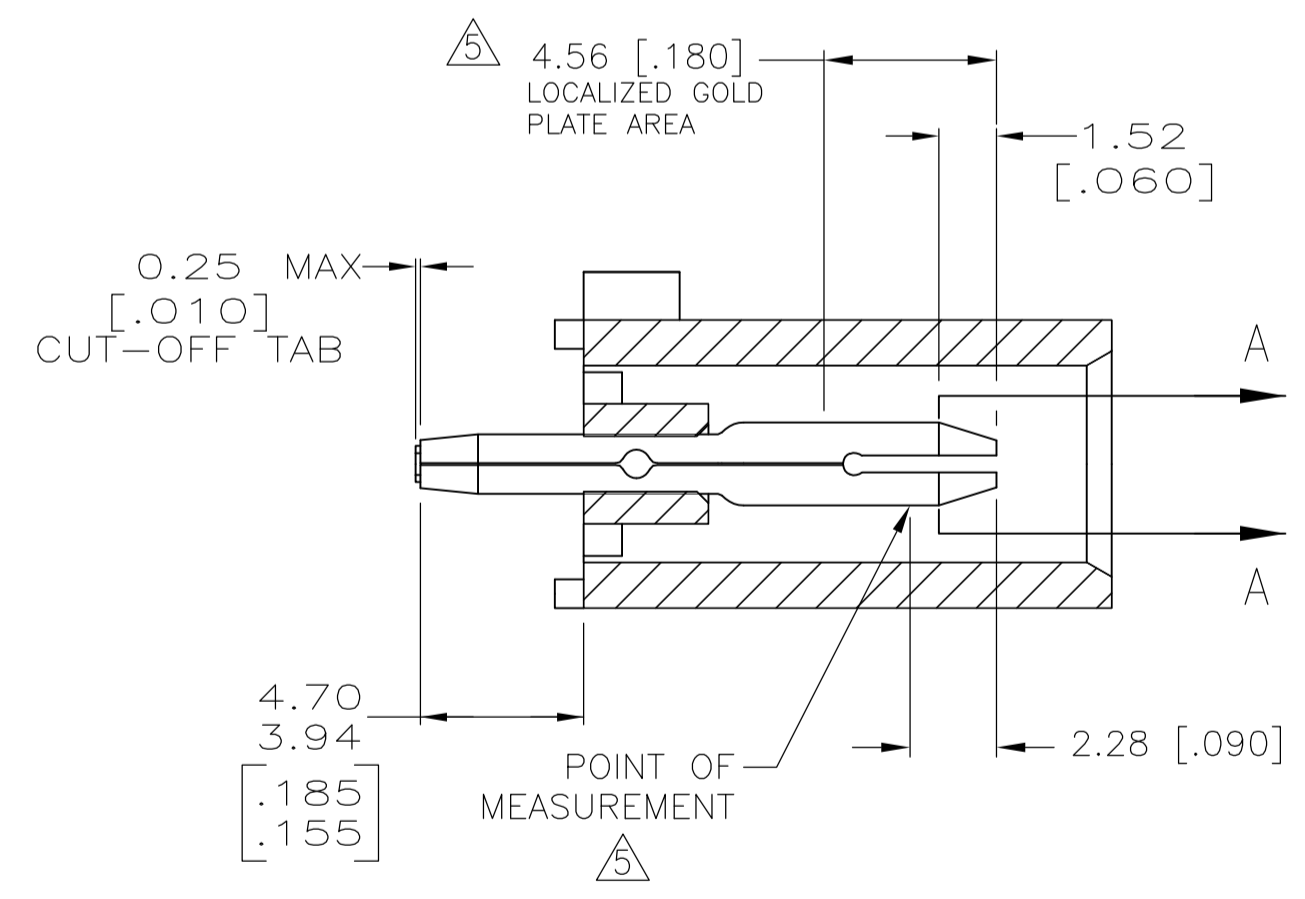
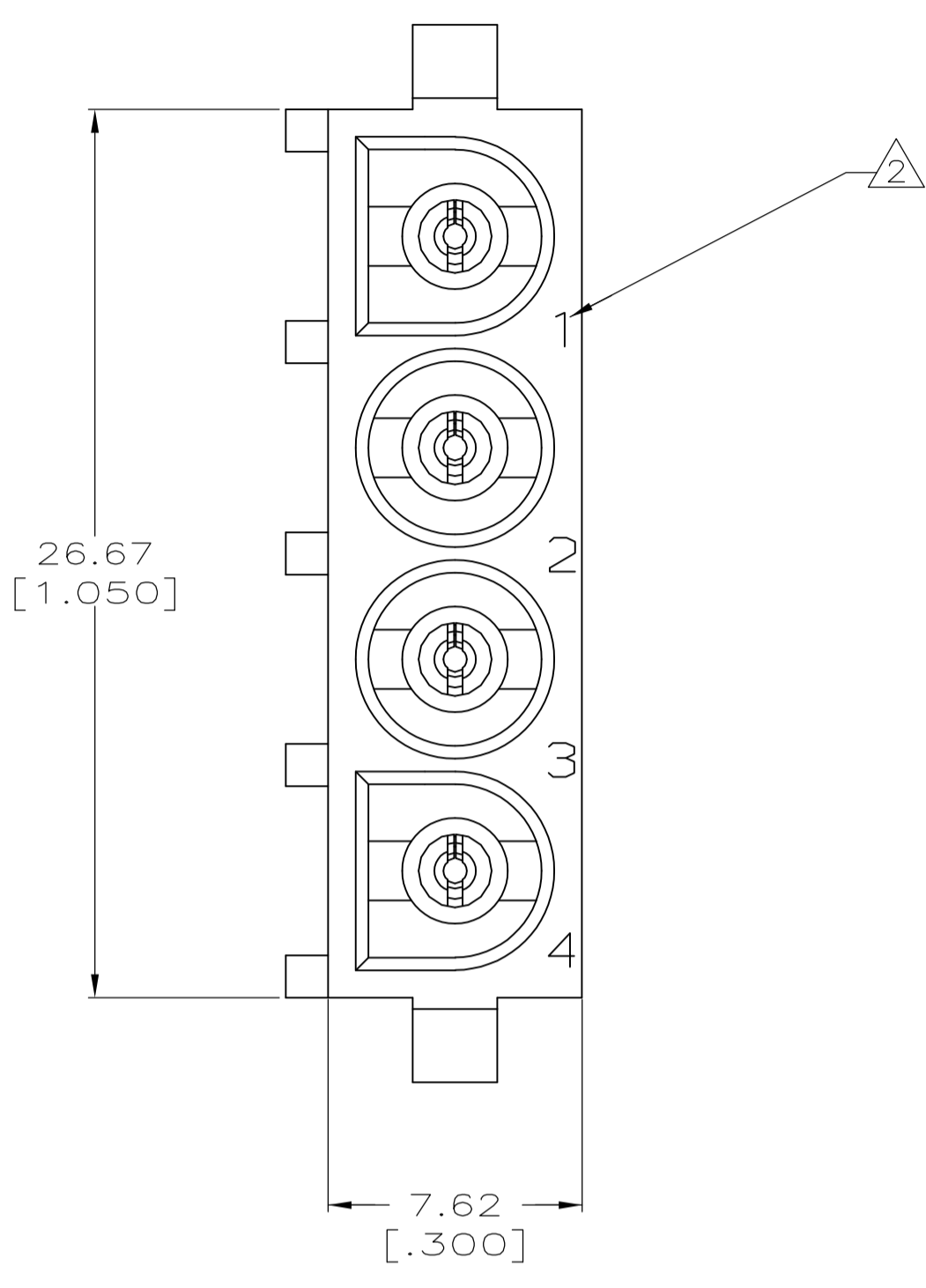
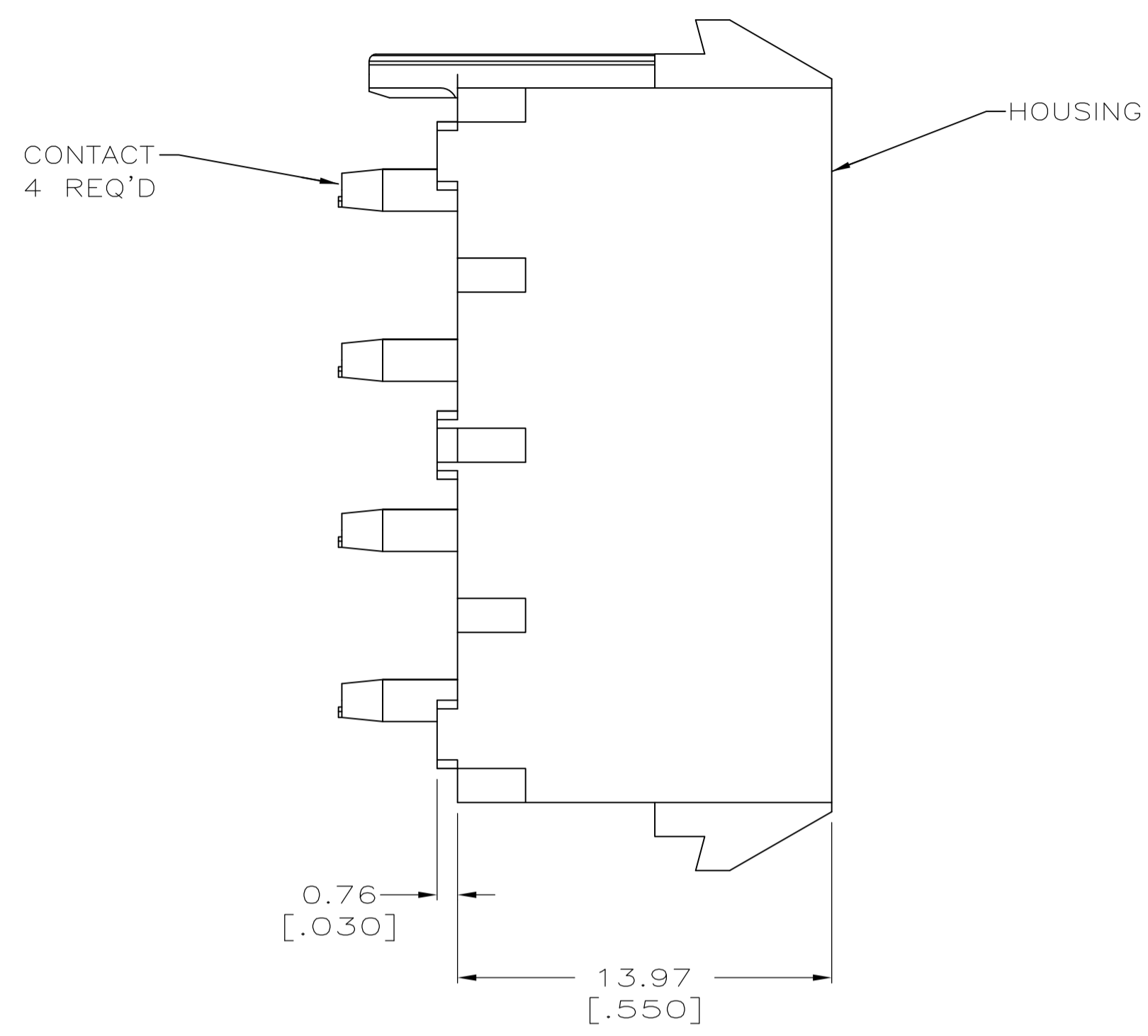
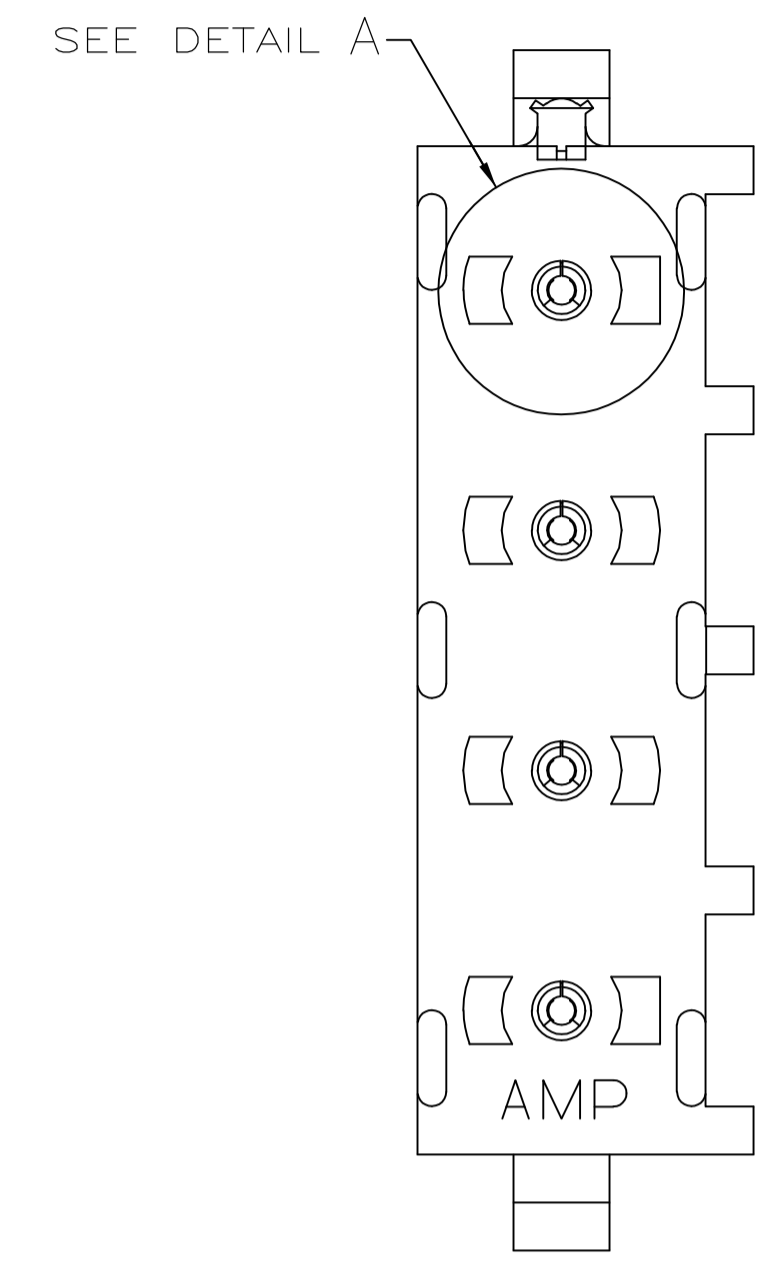


- PARTS COMPLY TO AMP SOLDERABILITY SPECIFICATION 109-11-3.
- CIRCUIT IDENTIFICATION CHARACTERS ARE ADJACENT TO THE INDICATED CAVITIES, BUT LOCATION AND ORIENTATION MAY DIFFER FROM PRINT.
- DIMENSIONS IN BRACKETS ARE IN INCHES.
- DRAIN HOLES LOCATED AS SHOWN. OPTIONAL CONSTRUCTION- ALL DRAIN HOLES LOCATED 90° AS SHOWN IN DETAIL A.
- CONTACT IS PLATED OVERALL WITH 0.00127 [.000050] NICKEL, THEN 0.00076 [.000030] GOLD OVER CONTACT LENGTH INDICATED AND MATTE-TIN ON SOLDER TAIL END.



PHOSPHOR BRONZE, PRE-TIN	NYLON, UL94V-0,BLUE	6-641968-1
PHOSPHOR BRONZE, GOLD	NYLON, UL94V-0,WHITE	641968-4
PHOSPHOR BRONZE, PRE-TIN	NYLON, UL94V-0,BLACK	641968-3
PHOSPHOR BRONZE, PRE-TIN	NYLON, UL94V-0,WHITE	641968-1
CONTACT MATERIAL AND FINISH	HOUSING MATERIAL AND COLOR	PART NUMBER

THIS DRAWING IS A CONTROLLED DOCUMENT.		BIN L McEACHIN 07-JAN-2000		TE Connectivity	
DIMENSIONS: mm [INCHES]		CIR K COBLE 07-JUN-2000		NAME	
TOLERANCES UNLESS OTHERWISE SPECIFIED:		APVD K COBLE 07-JUN-2000		PIN HEADER ASSEMBLY, POLARIZED, 4 CIRCUIT UNIVERSAL MATE-N-LOK(TM)	
0 PLC ± -		PRODUCT SPEC		SIZE CASE CODE DRAWING NO	
1 PLC ± -		APPLICATION SPEC		RESTRICTED TO	
2 PLC ± 0.13 [.005]		WEIGHT		A1 00779 C=641968	
3 PLC ± -		MATERIAL SEE TABLE		CUSTOMER DRAWING	
4 PLC ± -		FINISH SEE TABLE		SCALE 5:1 SHEET 1 OF 1 REV P3	
ANGLES ± ± 0°30'					

