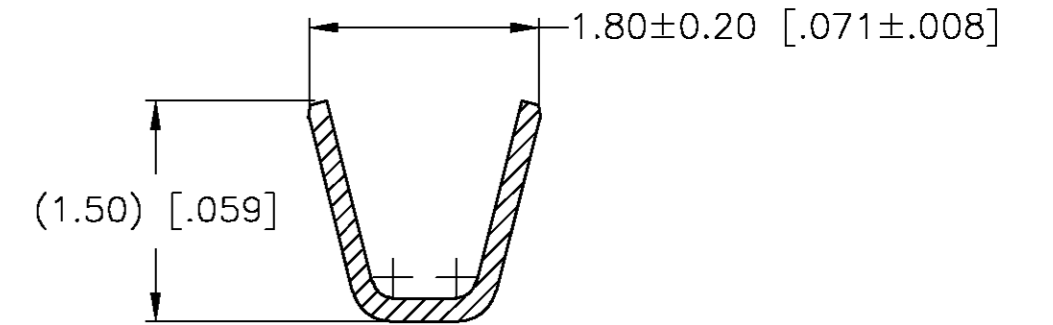
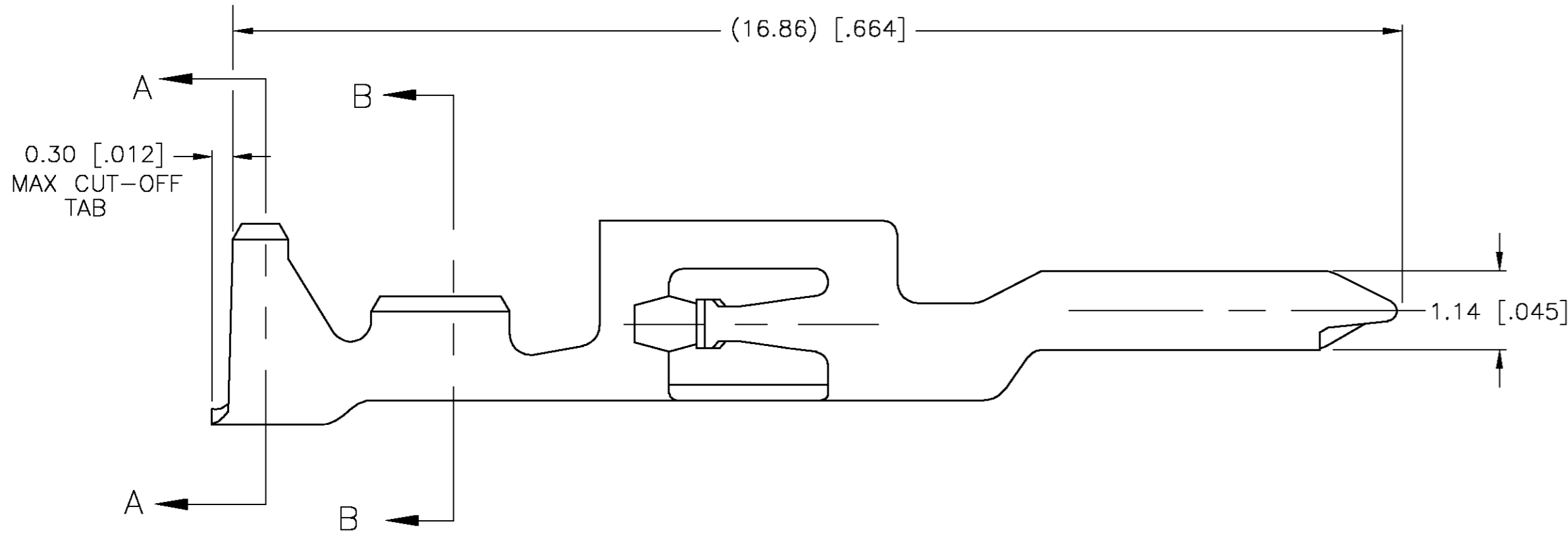
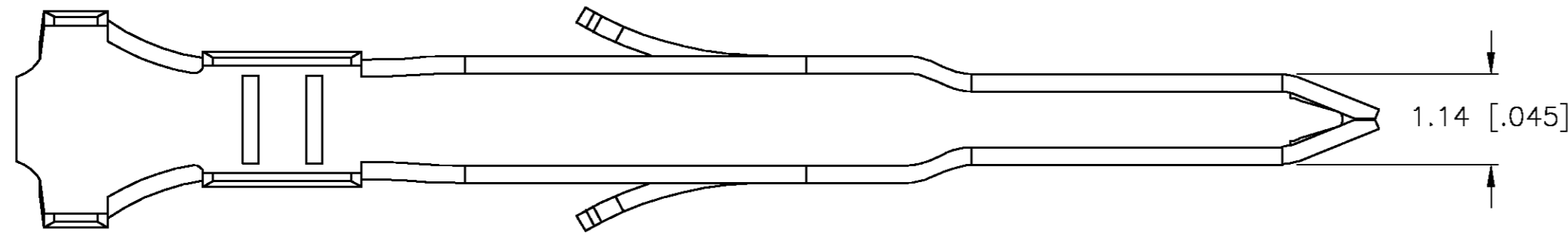


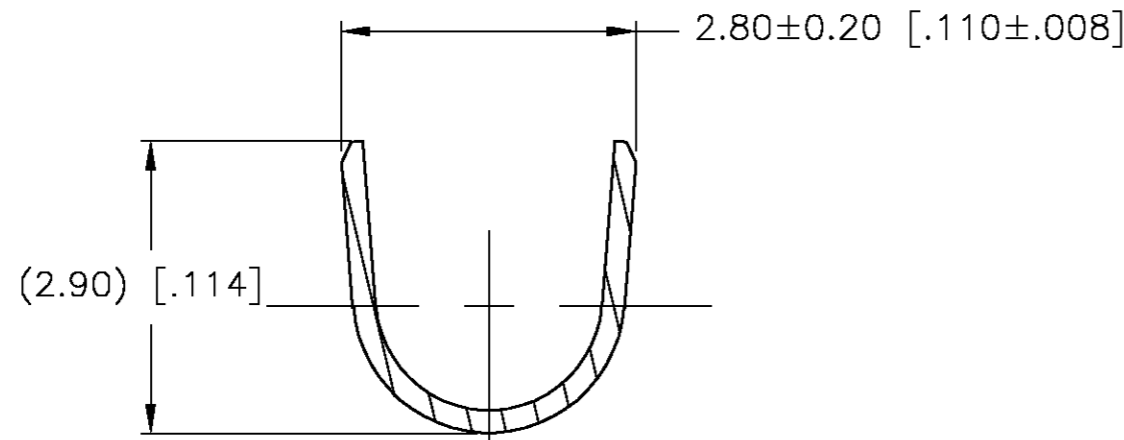
THIS DRAWING IS UNPUBLISHED. RELEASED FOR PUBLICATION  
 © COPYRIGHT BY TYCO ELECTRONICS CORPORATION. ALL RIGHTS RESERVED.

LOC	DIST	REVISIONS			
P	LTR	DESCRIPTION	DATE	DWN	APVD
CM	00	A	OG3B-0888-03	30-JAN-04	SH DC

- 1. HAND TOOL PART NUMBER 734202-3.
- 2. CONTACT EXTRACTION TOOL: 188688-1
- 3. WIRE RANGE: 0.12-0.35mm<sup>2</sup> [.005-.014in<sup>2</sup>], (22-26 AWG).
- 4. INSULATION RANGE: 1.20-1.75 [.047-.069] DIAMETER.



SECTION B-B  
SCALE 14:1



SECTION A-A  
SCALE 14:1

794578-1	PRE-TIN	0.22 [.009] PH BRZ.	794579-1
STRIP (REF)	FINISH	MATERIAL	PART NUMBER



THIS DRAWING IS A CONTROLLED DOCUMENT.

DIMENSIONS: mm [INCHES]	TOLERANCES UNLESS OTHERWISE SPECIFIED: 0 PLC ± 1 PLC ± 2 PLC ± 0.10 [.004] 3 PLC ± 4 PLC ± ±	DWN S. HOOVER 30-JAN-2004 CHK D. COLEY 30-JAN-2004 APVD D. COLEY 30-JAN-2004	tyco Electronics Tyco Electronics Corporation Harrisburg, Pa 17105-3608
		NAME D. COLEY	CONTACT, MALE, AMP-DUAC™ POWER CONNECTOR LOOSE PIECE
MATERIAL SEE CHART	FINISH SEE CHART	APPLICATION SPEC 108-6067 114-6067	RESTRICTED TO
CUSTOMER DRAWING		WEIGHT A2 00779 C=794579	SCALE 14:1 SHEET 1 OF 1 REV A