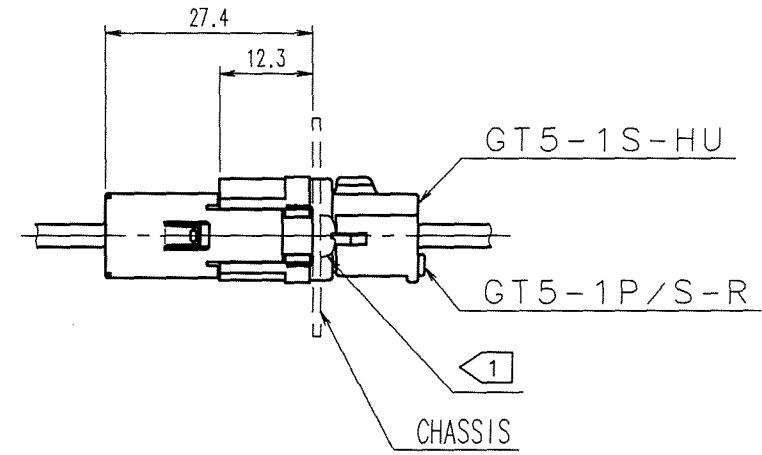
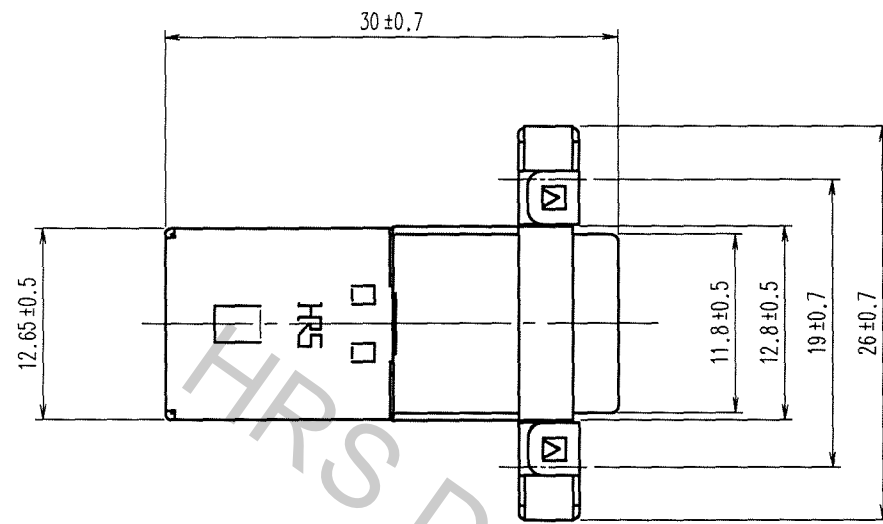
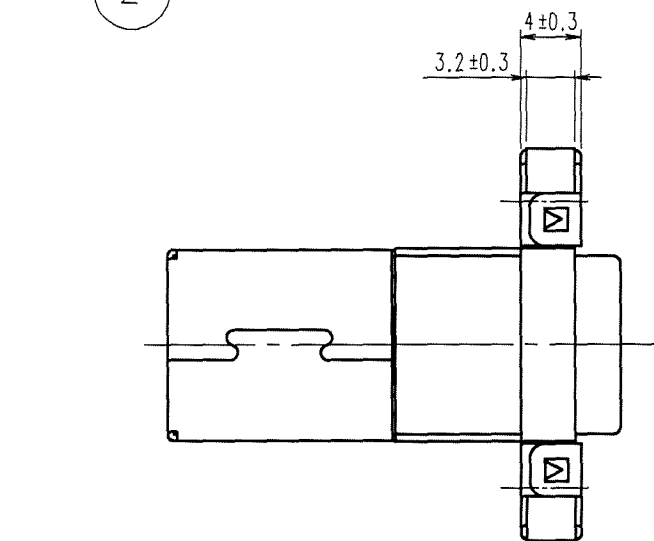
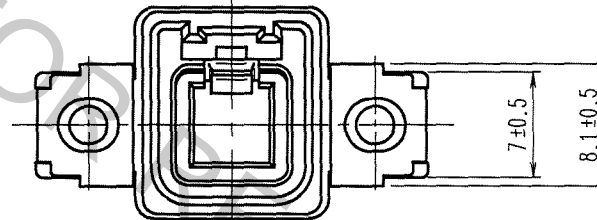
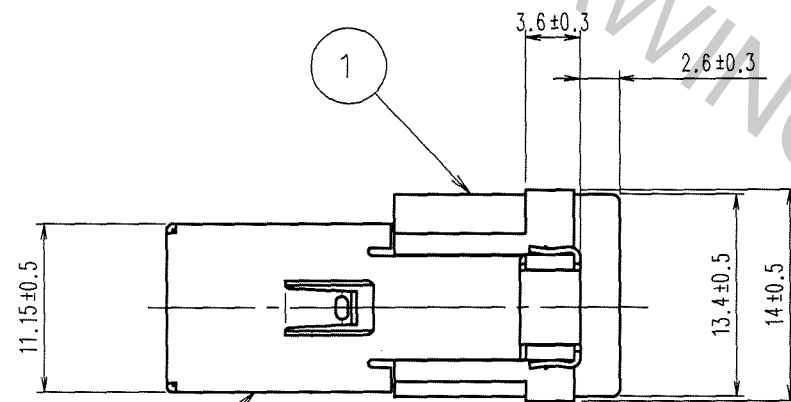
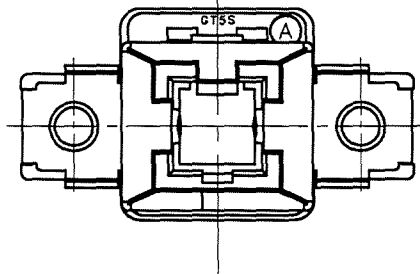


ELV. RoHS COMPLIANT



MATED CONNECTORS (1 : 1)



COUNT	DESCRIPTION OF REVISIONS	BY	CHKD	DATE	COUNT	DESCRIPTION OF REVISIONS	BY	CHKD	DATE
△				..	△				..
△				..	△				..
△				..	△				..

1	PBT	LIGHT GRAY	2	PHOSPHOR BRONZE	TIN PLATED
NO.	MATERIAL	FINISH, REMARKS	NO.	MATERIAL	FINISH, REMARKS
CODE NO. (OLD)			DRAWN	DESIGNED	CHECKED
			T.KUBOTA	M.OKADA	K. Sato
			'06. 6. 15	'96. 12. 9	'06. 6. 16
					K. Sato
					'06. 6. 16
					..
DRAWING NO.			PART NO.		
EDC3-165373-02			GT5S-1PP-HU(70)		
SCALE			CODE NO.		
2 : 1			CL755-0050-4-70		
UNITS			1/1		
mm			HRS HIROSE ELECTRIC CO., LTD		

NOTE1. FIXING SCREW SHALL BE IN ACCORDANCE WITH ISO 1481 AND 7049. NOMINAL DIAMETER 3.

TO
AMC

AMC

Apr.1.2017 Copyright 2017 HIROSE ELECTRIC CO., LTD. All Rights Reserved.