

SPECIFICATIONS

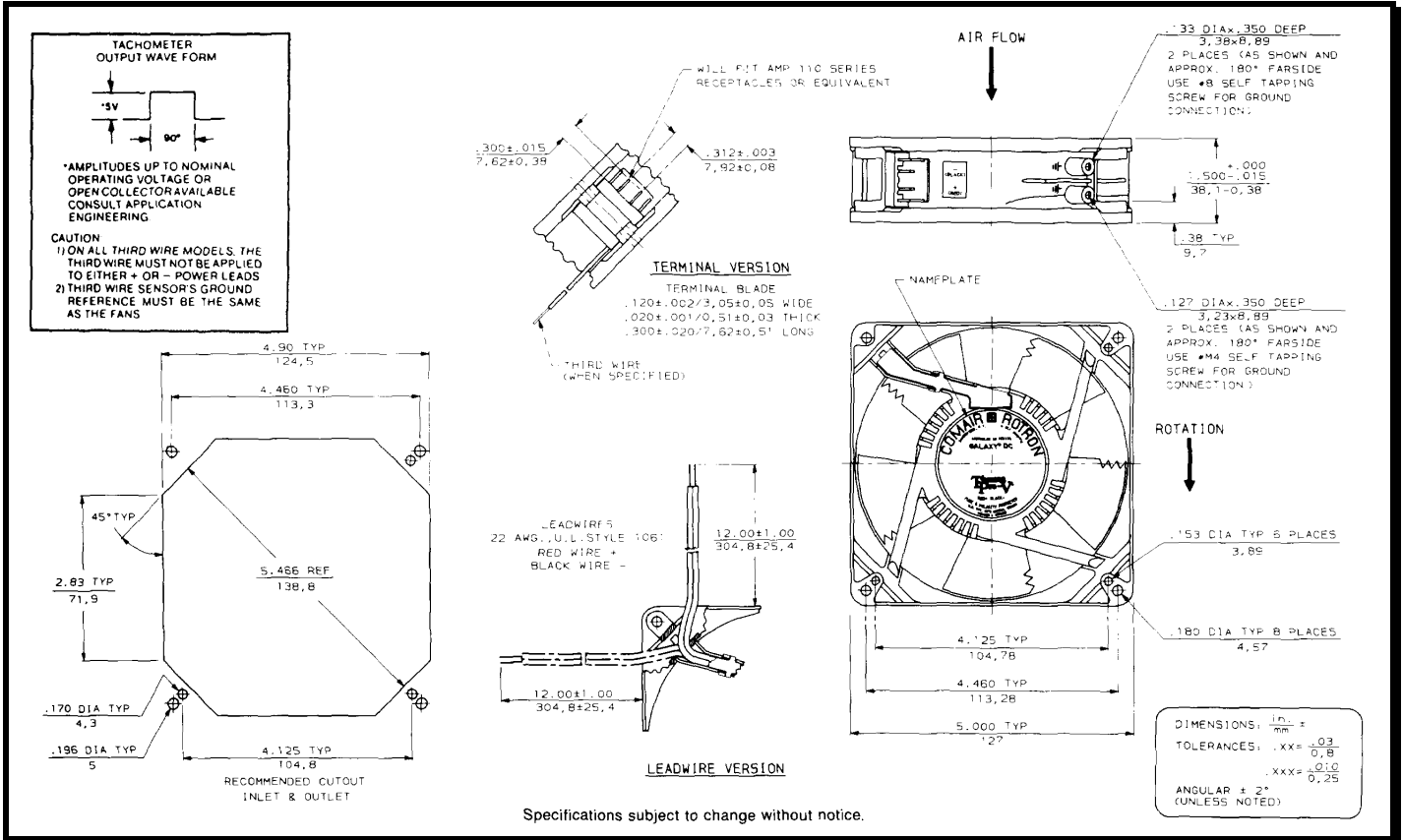
(RoHS Compliant)



Model Number: GL12B4
Part Number: 19031074A

August 11, 2005

Mechanical Drawing:



Motor:

Nominal Voltage	= 12 vdc
Operating Voltage Range	= 6 - 14 vdc
Nominal Running Current	= 1.30 amps
Locked Rotor Current	= 3.00 amps
Running Power	= 16.0 watts
Average Speed	= 3200 rpm
Bearings	= Ball
Air Flow	= 150 CFM
Acoustic	= 53.6 dBA

Construction:

Venturi: Die Cast Zinc, Black
 Propeller: Plastic, Black, UL 94V-0

Life Expectancy:

This fan is designed for continuous duty life of 75,000 hours at 40°C.

Additional Features:

Brushless DC Motor	
Polarity Protected	
Locked Rotor Protection	
Automatic Restart Capability	
Operating Temperature	-10°C to 70°C
Storage Temperature	-40 °C to 85°C

Termination:

0.110" wide Terminals Polarity Labeled

Agency Approvals:

UL, CE