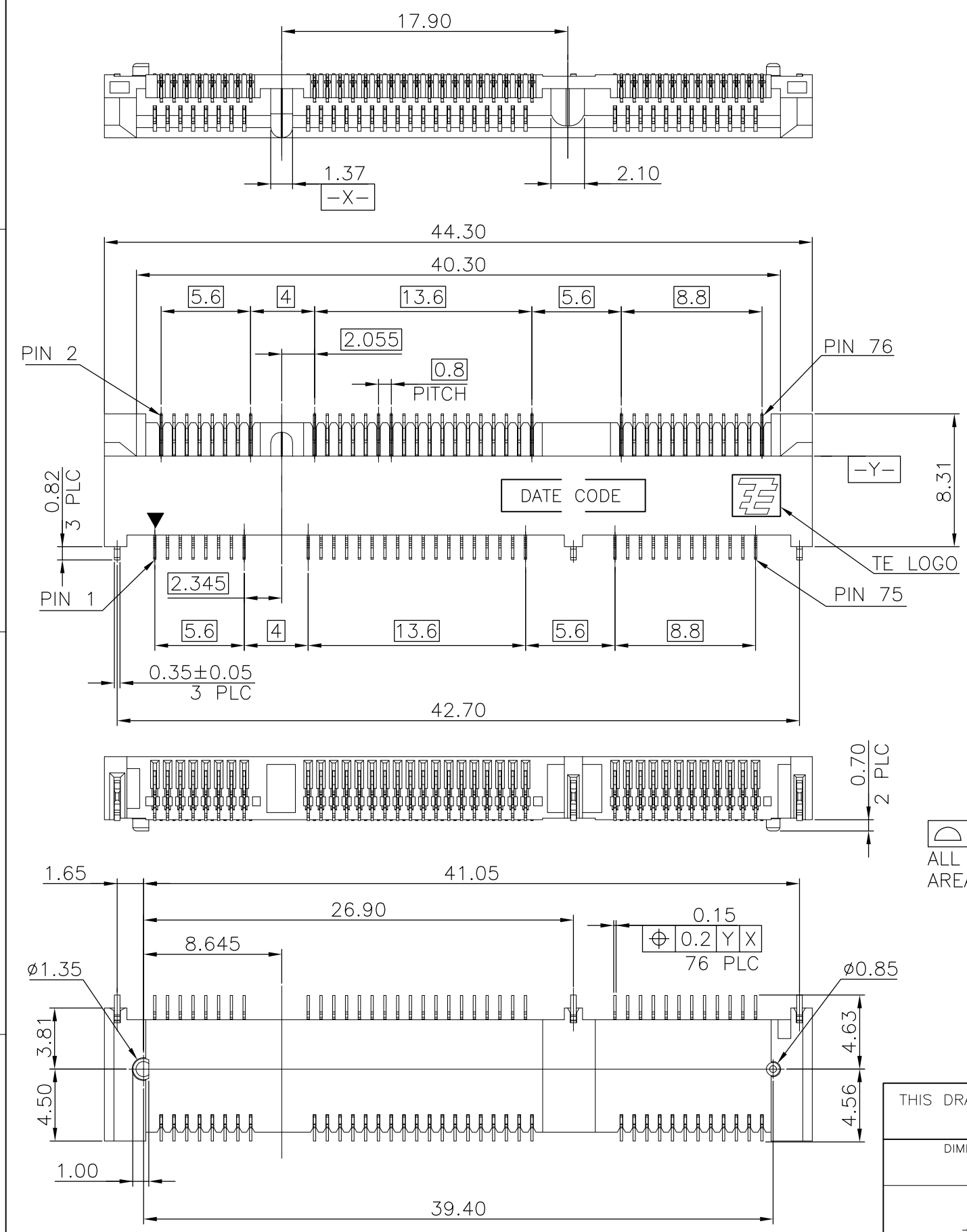


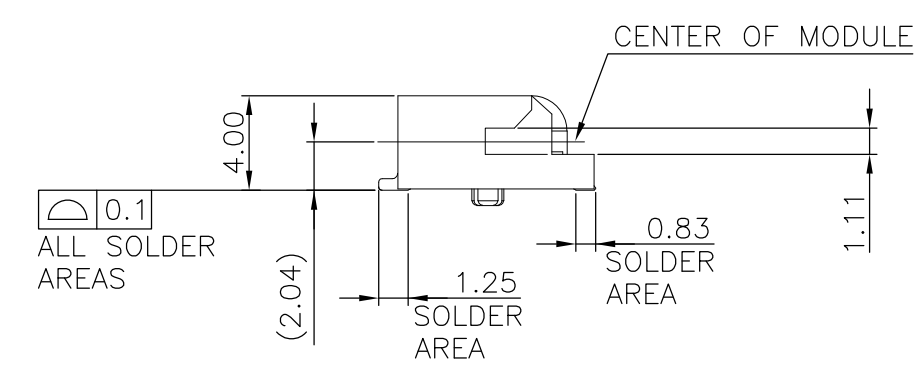
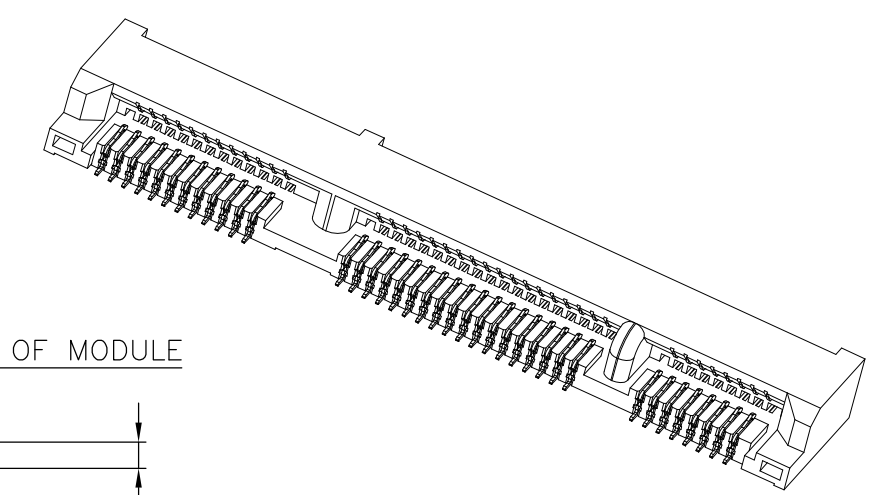
THIS DRAWING IS UNPUBLISHED. RELEASED FOR PUBLICATION  
 © COPYRIGHT 2010 BY TYCO ELECTRONICS CORPORATION. ALL RIGHTS RESERVED.

REVISIONS					
P	LTR	DESCRIPTION	DATE	DWN	APVD
B		REVISED PER ECR-16-006370	31MAY16	DZ	SL



NOTES:

- MATERIAL:  
HOUSING: LCP WITH 30% GF, UL94 V-0, BLACK COLOR.  
CONTACTS: PHOSPHOR BRONZE.  
PEGS: BRASS.
- FINISH:  
CONTACTS: (SEE TABLE) GOLD PLATED ON CONTACT AREA, GOLD FLASH ON SOLDER AREA, WITH ENTIRE CONTACT UNDERPLATED 1.27μm [50μ"] MIN. NICKEL.  
PEGS: 3.048μm [120μ"] MIN. MATTE-TIN OVER 1.27μm [50μ"] MIN. NICKEL.
- REFLOW SOLDER CAPABLE TO 260°C PER TEC-109-201, CONDITION B.
- SUBSTANCE RESTRICTIONS FOR LOW HALOGEN (BY WEIGHT):  
BROMINE (Br) ≤ 900 PPM (0.09%)  
CHLORINE (Cl) ≤ 900 PPM (0.09%)  
TOTAL CONCENTRATION OF CHLORINE (Cl) + BROMINE (Br) ≤ 1500 PPM (0.15%)



	0.762μm [30μ"]	2041286-2
OBSOLETE	GOLD FLASH	2041286-1
	MIN. GOLD THICKNESS	PART NUMBER

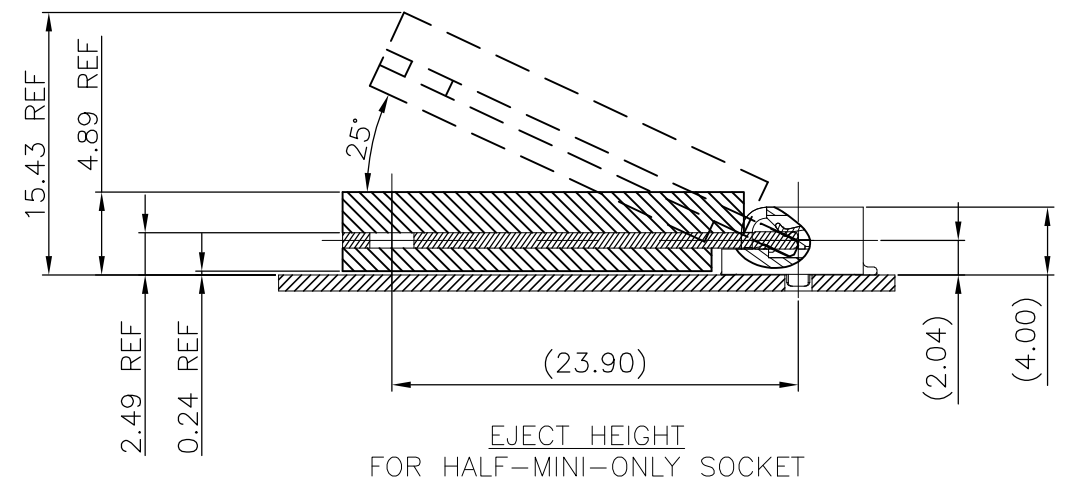
THIS DRAWING IS A CONTROLLED DOCUMENT.		DWN A. WU 22DEC2010	TE Connectivity		
DIMENSIONS: mm		CHK S. CHIEN 22DEC2010			
TOLERANCES UNLESS OTHERWISE SPECIFIED:		APVD W. KODAMA	NAME		
0 PLC ± -		PRODUCT SPEC 108-57852	0.8 MM PITCH MINI PCI EXPRESS 76PIN CONNECTOR ASSEMBLY (4MM HEIGHT)		
1 PLC ± 0.3		APPLICATION SPEC -	SIZE	CAGE CODE	DRAWING NO
2 PLC ± 0.2		MATERIAL SEE NOTE	1.752 GRAMS	A300779	C-2041286
3 PLC ± 0.15		FINISH SEE NOTE	CUSTOMER DRAWING		
4 PLC ± -			SCALE -	SHEET 1 OF 4	REV B
ANGLES ± -					

THIS DRAWING IS UNPUBLISHED. RELEASED FOR PUBLICATION  
 © COPYRIGHT 2010 BY TYCO ELECTRONICS CORPORATION. ALL RIGHTS RESERVED.

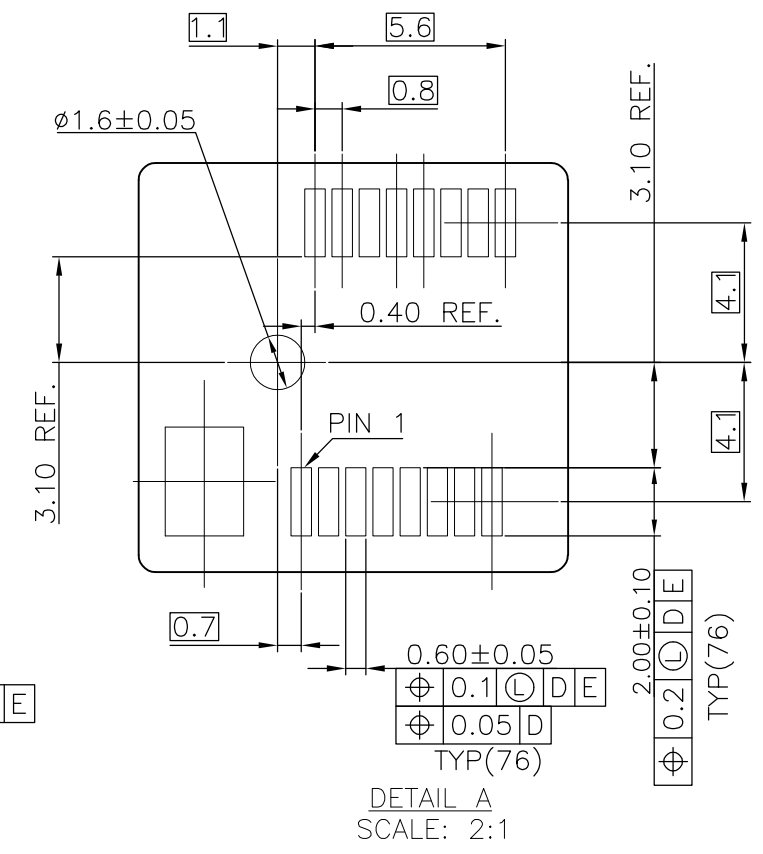
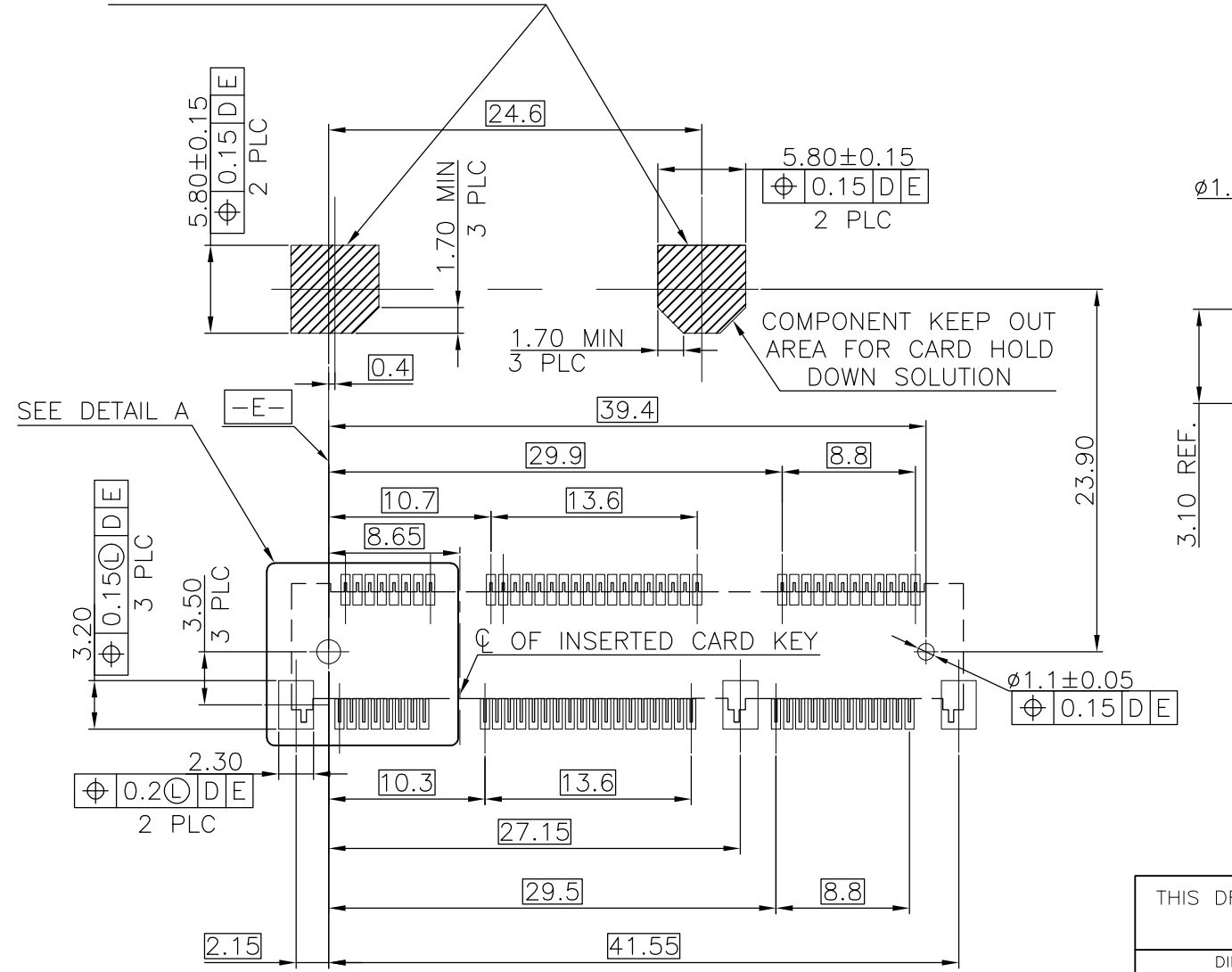
REVISIONS					
P	LTR	DESCRIPTION	DATE	DWN	APVD
B		SEE SHEET 1	-	-	-

## CONNECTOR PIN-OUT DEFINITIONS

PIN#	NAME	PIN#	NAME	PIN#	NAME	PIN#	NAME
75	GND	76	MLDIR	51	RESERVED	52	+3.3Vaux
73	ML0p	74	GND	49	RESERVED	50	GND
71	ML0n	72	GND	47	RESERVED	48	+1.5V
69	GND	70	ML1p	45	RESERVED	46	LED_WPAN#
67	GND	68	ML1n	43	GND	44	LED_WLAN#
65	ML2p	66	GND	41	+3.3Vaux	42	LED_WWAN#
63	ML2n	64	GND	39	+3.3Vaux	40	GND
61	GND	62	ML3p	37	GND	38	USB_D+
59	GND	60	ML3n	35	GND	36	USB_D-
57	AUXp	58	GND	33	PETp0	34	GND
55	AUXn	56	GND	31	PETn0	32	SMB_DATA
53	DMC#	54	HPD	29	GND	30	SMB_CLK
				27	GND	28	+1.5V
				25	PERp0	26	GND
				23	PERn0	24	+3.3Vaux
				21	GND	22	PERST#
				19	RESERVED* (UIM_C4)	20	W_DISABLE#
				17	RESERVED* (UIM_C8)	18	GND



COMPONENT KEEP OUT AREA FOR CARD HOLD DOWN SOLUTION



MECHANICAL KEY

15	GND	16	UIM_VPP
13	REFCLK+	14	UIM_RESET
11	REFCLK-	12	UIM_CLK
9	GND	10	UIM_DATA
7	CLKREQ#	8	UIM_PWR
5	COEX2	6	1.5V
3	COEX1	4	GND
1	WAKE#	2	3.3Vaux

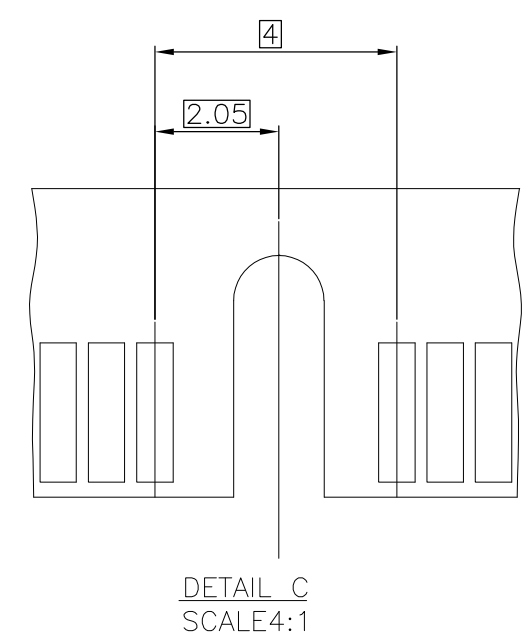
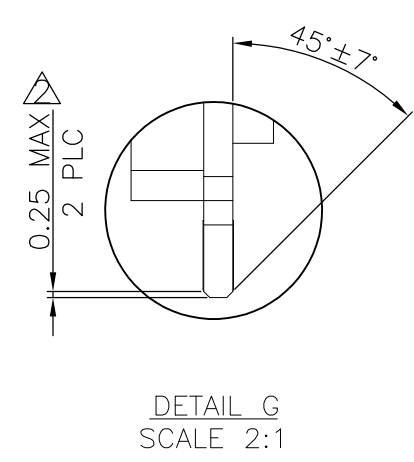
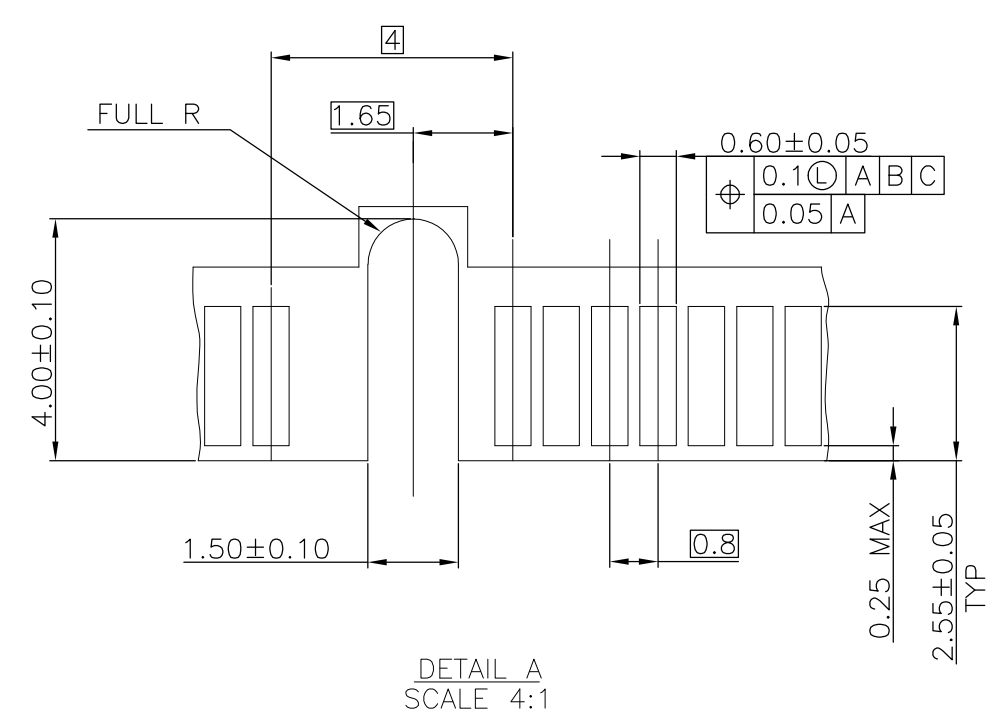
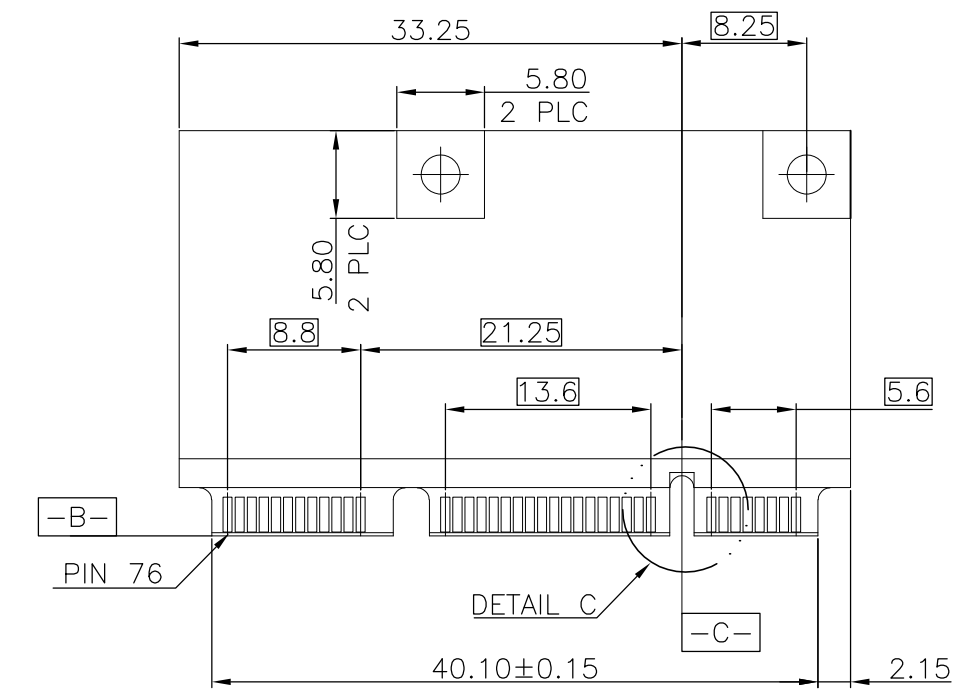
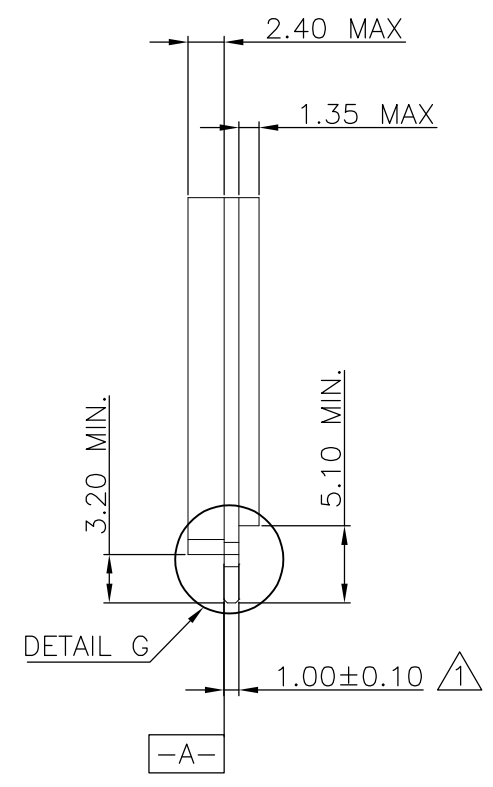
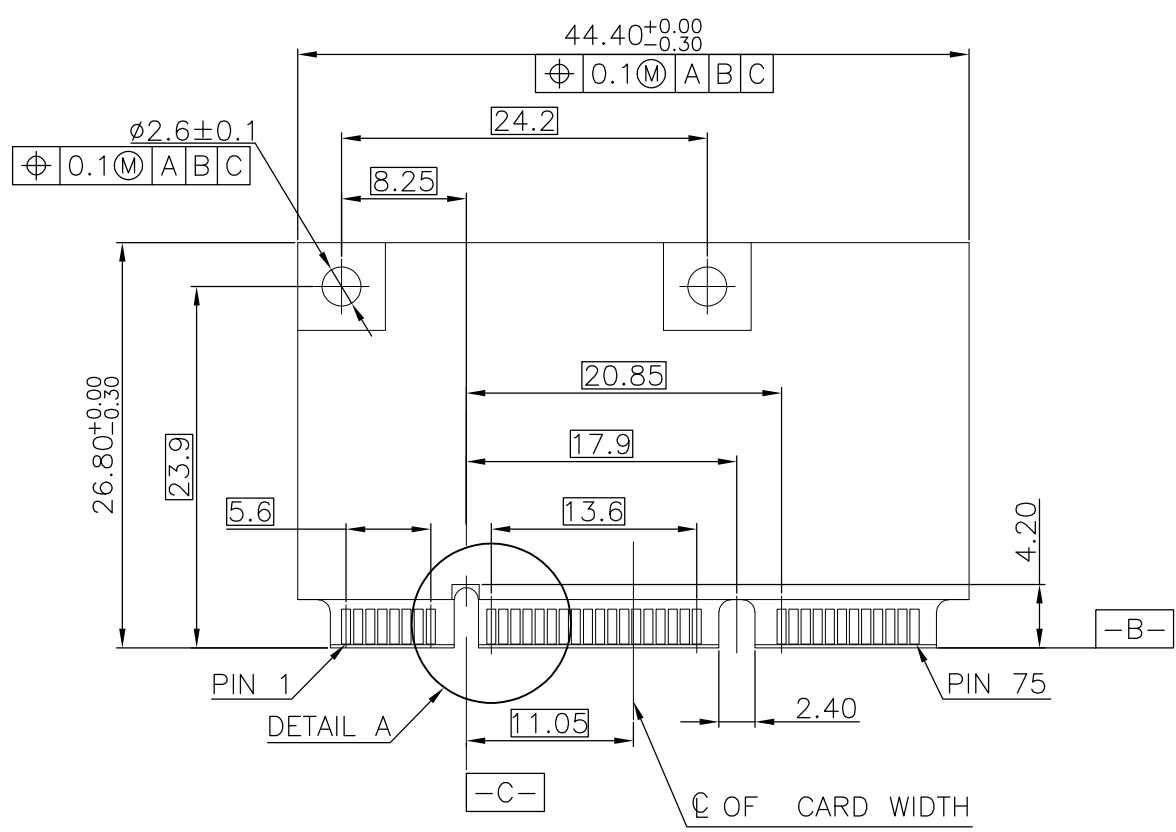
\* RESERVED FOR FUTURE UIM INTERFACE (IF NEEDED)

-D- IS THE TOP SURFACE OF PCB.  
 RECOMMENDED P.C.B BOARD LAYOUT  
 TOLERANCE: ±0.05

THIS DRAWING IS A CONTROLLED DOCUMENT.		DWN A. WU 22DEC2010	TE Connectivity	
		CHK S. CHIEN 22DEC2010		
DIMENSIONS: mm		APVD W. KODAMA	NAME 0.8 MM PITCH MINI PCI EXPRESS 76PIN CONNECTOR ASSEMBLY (4MM HEIGHT)	
TOLERANCES UNLESS OTHERWISE SPECIFIED:		PRODUCT SPEC	SIZE	
0 PLC ± -		APPLICATION SPEC	CAGE CODE	DRAWING NO
1 PLC ± -			RESTRICTED TO	
2 PLC ± -			A3	00779
3 PLC ± -			C=2041286	
4 PLC ± -				
ANGLES ± -				
FINISH		WEIGHT		
		CUSTOMER DRAWING		SCALE
				SHEET
				2 OF 4
				REV
				B

THIS DRAWING IS UNPUBLISHED. RELEASED FOR PUBLICATION  
 © COPYRIGHT 2010 BY TYCO ELECTRONICS CORPORATION. ALL RIGHTS RESERVED.

REVISIONS				
P	LTR	DESCRIPTION	DATE	APVD
	B	SEE SHEET 1	-	-



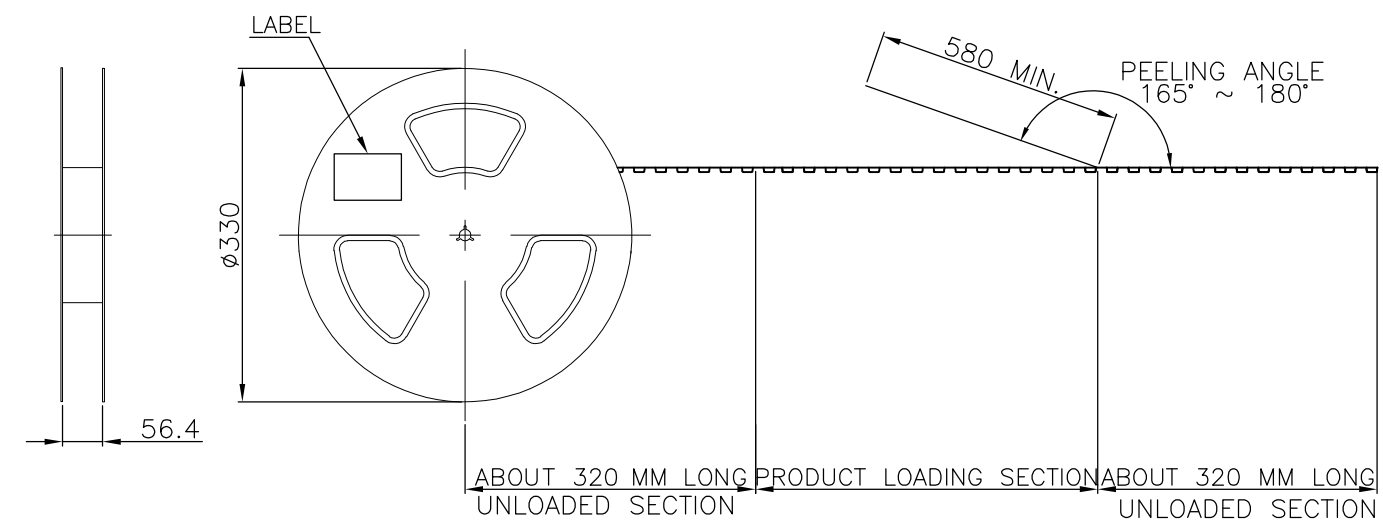
NOTES:

- ▲ CARD THICKNESS APPLIES ACROSS TABS AND INCLUDES PLATING AND/OR METALLIZATION.
- ▲ EDGE BEVEL MUST BE PRESENT AND FREE OF CUTTING BURRS FROM PCB AND CONTACT MATERIALS.

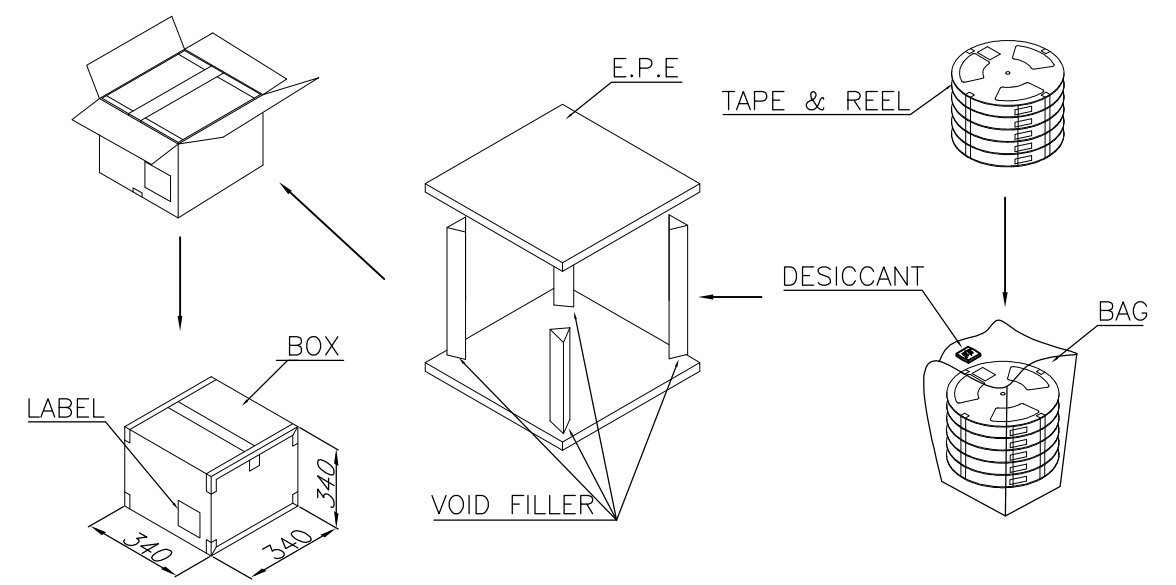
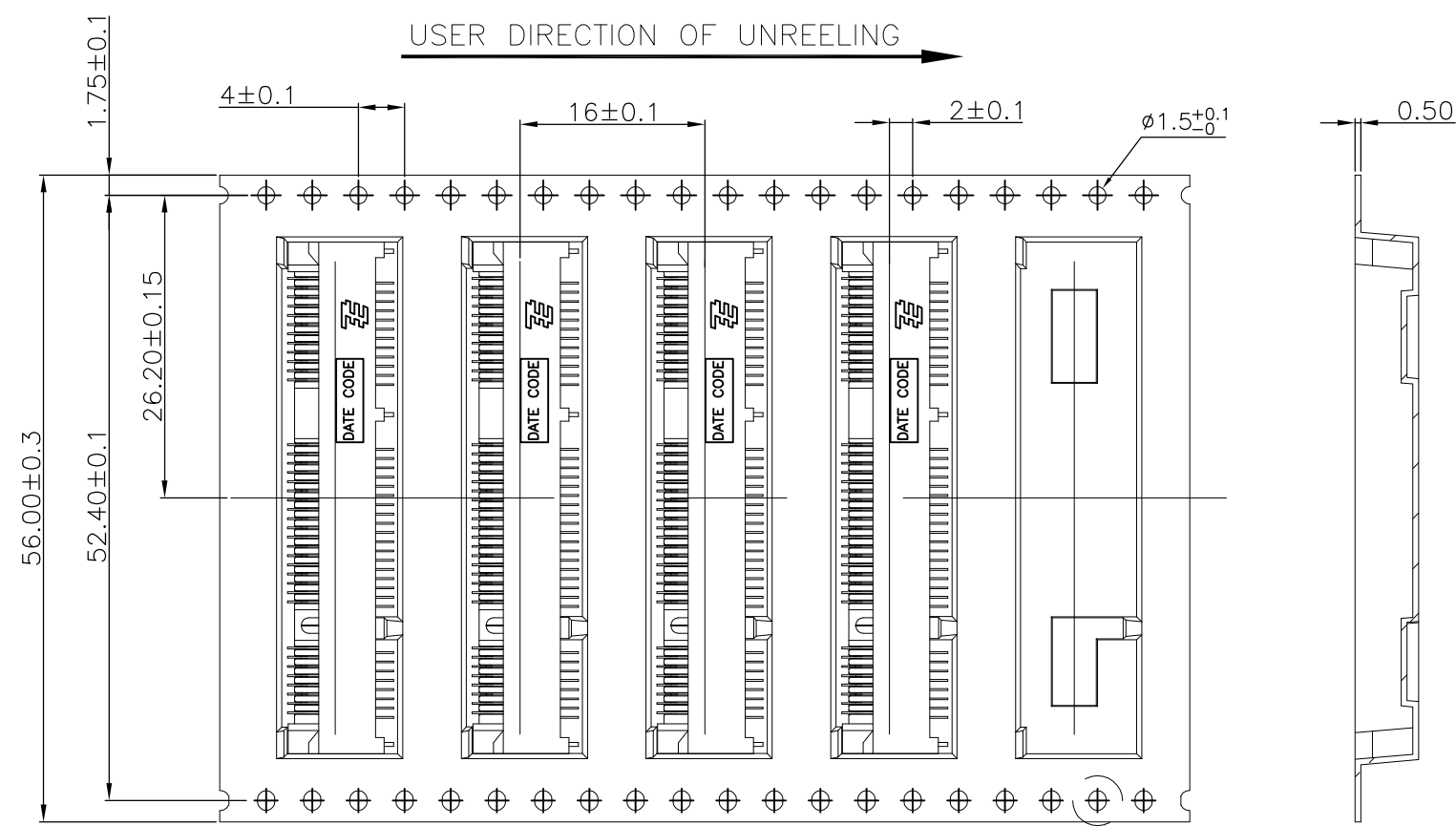
THIS DRAWING IS A CONTROLLED DOCUMENT.		DWN A. WU 22DEC2010	TE Connectivity	
DIMENSIONS: mm		CHK S. CHIEN 22DEC2010		
TOLERANCES UNLESS OTHERWISE SPECIFIED:		APVD W. KODAMA	NAME 0.8 MM PITCH MINI PCI EXPRESS 76PIN CONNECTOR ASSEMBLY (4MM HEIGHT)	
0 PLC ± - 1 PLC ± - 2 PLC ± - 3 PLC ± - 4 PLC ± - ANGLES ± -		PRODUCT SPEC -	SIZE A3	
MATERIAL -		FINISH -	APPLICATION SPEC -	CAGE CODE 00779
		WEIGHT -	DRAWING NO C-2041286	RESTRICTED TO -
CUSTOMER DRAWING			SCALE -	SHEET 3 OF 4
			REV B	

THIS DRAWING IS UNPUBLISHED. RELEASED FOR PUBLICATION  
 © COPYRIGHT 2010 BY TYCO ELECTRONICS CORPORATION. ALL RIGHTS RESERVED.

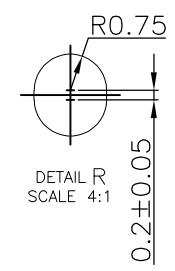
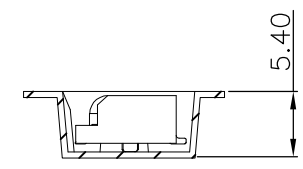
REVISIONS					
P	LTR	DESCRIPTION	DATE	DWN	APVD
	B	SEE SHEET 1	-	-	-



- NOTES:
- MATERIAL:  
 BOX: FIBREBOARD, CORRUGATED, DOUBLE WALL.  
 COVER TAPE: PET, TRANSPARENT COLOR.  
 CARRIER TAPE: POLYSTYRENES, TRANSPARENT COLOR.  
 REEL: HIPS, BLUE COLOR.  
 BAG: POLYETHYLENES, TRANSPARENT COLOR.
  - EACH BAG SHALL BE INCLUDED DESICCANT.
  - PEELING STRENGTH: 0.1 ~ 1.3 N (10 ~ 130 GRAMS).
  - PEELING SPEED: 300 mm/min.



4000	5	800	7.01 Kg	12.3 Kg
PCS/BOX	REELS/BOX	PCS/TAPE	NET WEIGHT	GROSS WEIGHT



THIS DRAWING IS A CONTROLLED DOCUMENT.		DWN A. WU 22DEC2010	TE Connectivity		
		CHK S. CHIEN 22DEC2010			
DIMENSIONS: mm		APVD W. KODAMA	NAME 0.8 MM PITCH MINI PCI EXPRESS 76PIN CONNECTOR ASSEMBLY (4MM HEIGHT)		
TOLERANCES UNLESS OTHERWISE SPECIFIED:		PRODUCT SPEC	APPLICATION SPEC		
0 PLC ± - 1 PLC ± - 2 PLC ± - 3 PLC ± - 4 PLC ± - ANGLES ± -		FINISH	SIZE A3	CAGE CODE 00779	DRAWING NO C-2041286
MATERIAL		WEIGHT	RESTRICTED TO		
		CUSTOMER DRAWING	SCALE	SHEET	REV
			-	4 OF 4	B