

MATERIALS LIST:

1. CABLE:UL2725 (7/0.085TA*1PR+EAM)*2+7/0.08TA*1PR+19/0.10TA*2C +19/0.10TA*2+PE Conductive film+B85% OD:4.0mm JACKET PVC COLOR:BLACK
2. CONNECTOR:USB 3.1 C MALE,INSULATOR BLACK,NICKEL PLATED SHELL PIN GOLD PLATED.
3. CONNECTOR:USB 3.0 A MALE,INSULATOR BLUE,NICKEL PLATED SHELL PIN GOLD PLATED.
4. PVC MOLDED:V398 45P BLACK

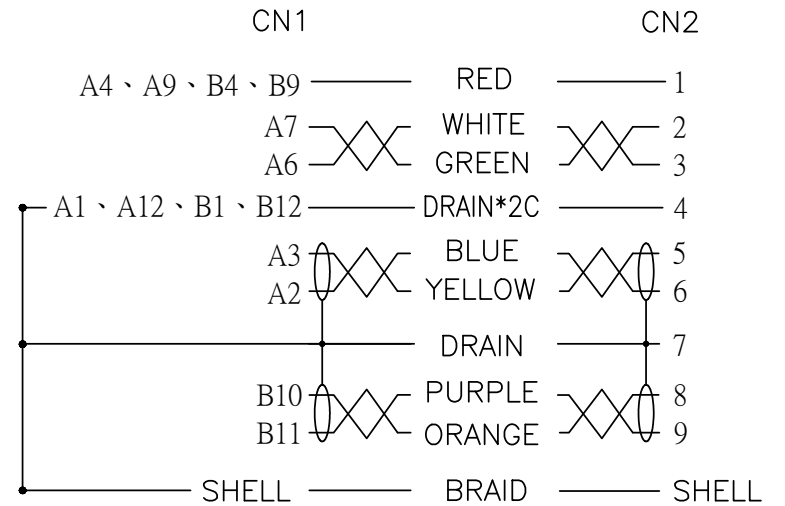
ELECTRONIC TEST:

A. OPEN/SHORT/INTERMITTENCE: 100%.

REMARK:

- 1.ALL MATERIALS TO MEET RoHS
- 2.CHECK IMPORTANT SIZE:Y1&Y3

PIN OUT



CnC Tech, LLC			
Industrial Cable and Connector Technology			
DRAWN BY	LUCIEN	DARWING NO.	
CHECKED BY		CUSTOMER	
APPROVAL BY		ITEM NO.	105-1032-BL-00150
DECIDE BY		DATE	16.06.16
VERSIONS/EDITEON	A/0	PROJECTION	

REV	ECN NO	DESCRIPTION	D.B	DATE