

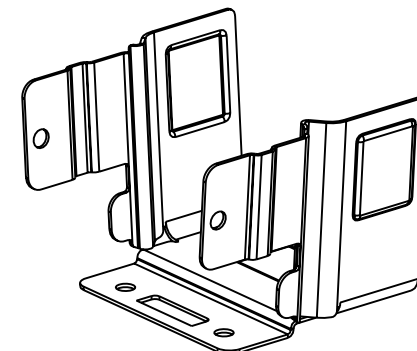
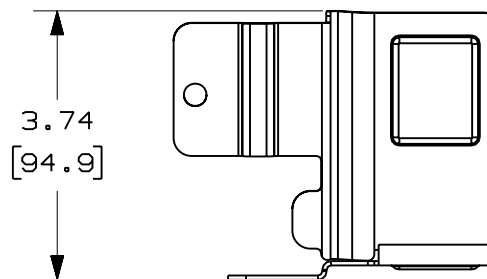
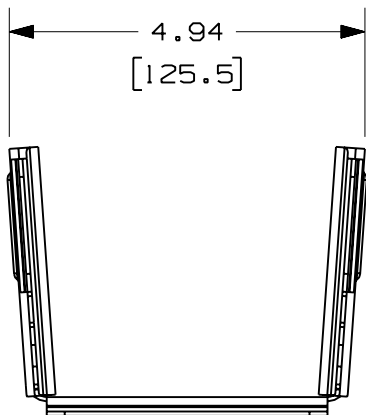
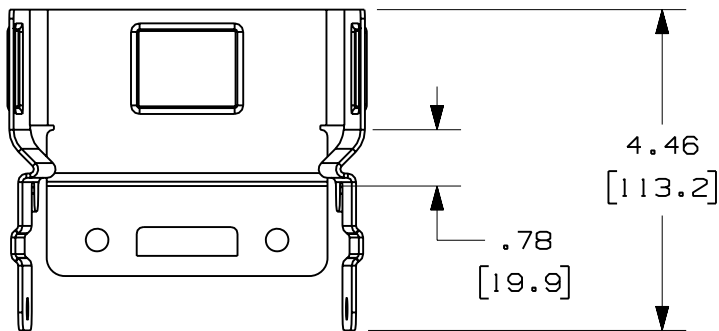
THIS COPY IS PROVIDED ON A RESTRICTED BASIS AND IS NOT TO BE USED IN ANY WAY DETRIMENTAL TO THE INTERESTS OF PANDUIT CORP.

PANDUIT PART NUMBER	WEIGHT
FRTEL4	0.73 LB/EACH (330g/EACH)



NOTES:

1. SEE CURRENT CATALOG FOR ADDITIONAL PART SUFFIXES TO INDICATE PACKAGE QUANTITY.
2. THE FIBERRUNNER 4x4 TO TELECT 4x4 WAVETRAX CABLE MANAGEMENT SYSTEM ADAPTER ATTACHES TO THE TELECT 4x4 WAVETRAX SOLID CHANNEL USING THE SUPPLIED HARDWARE LISTED BELOW. THE ADAPTER ACCEPTS THE FIBERRUNNER 4x4 QUIKLOCK COUPLER WHICH THEN ALLOWS FOR THE ATTACHMENT OF THE FIBERRUNNER 4x4 CABLE ROUTING SYSTEM.
3. THE FIBERRUNNER 4x4 TO TELECT 4x4 WAVETRAX CABLE MANAGEMENT SYSTEM ADAPTER INCLUDES:
ONE (1) ADAPTER,
FOUR (4) 1/4-20x5/8" NYLON COMBINATION BINDING HEAD MACHINE SCREWS,
FOUR (4) 1/4-20 NYLON DECO WING NUTS.
4. FINISH COLOR: BLACK
5. DIMENSIONS IN PARENTHESES ARE IN METRIC.



ENG. REF.: D39163BD_DC_FRTEL4_01.prt

CAD FILENAME/LAYERS: FRTEL4.pdf

PANDUIT CORP TINLEY PARK, ILLINOIS
 FIBERRUNNER 4x4 TO TELECT 4x4 WAVETRAX
 CABLE MANAGEMENT SYSTEM ADAPTER (FRTEL4)
 CUSTOMER DRAWING

UNLESS OTHERWISE SPECIFIED,
 DIMENSIONAL TOLERANCES ARE:
 (.X) ± (.XXX) ±
 (.XX) ± .03 (.8) ANGLES ±

UNLESS OTHERWISE SPECIFIED,
 ALL DIMENSIONS ARE GIVEN IN
 INCHES, THIRD ANGLE PROJECTION.

REV	DATE	BY	CHK	DESCRIPTION	ECN	R	CUST	SUP	GMBH
1	7-19-06	DTP	RN	A. REVISED PART WEIGHT	39163-03	RN	RN		
R	6-28-05	MSO	RPA	RELEASED TO PRODUCTION	39163-03	RN	RN		

DRAWN BY: MSO	MAT'L: STEEL	SCALE: NONE
DATE: 6-28-05		DRAWING NO.: 39163-03
CHK'D: RPA		DWG SIZE: A