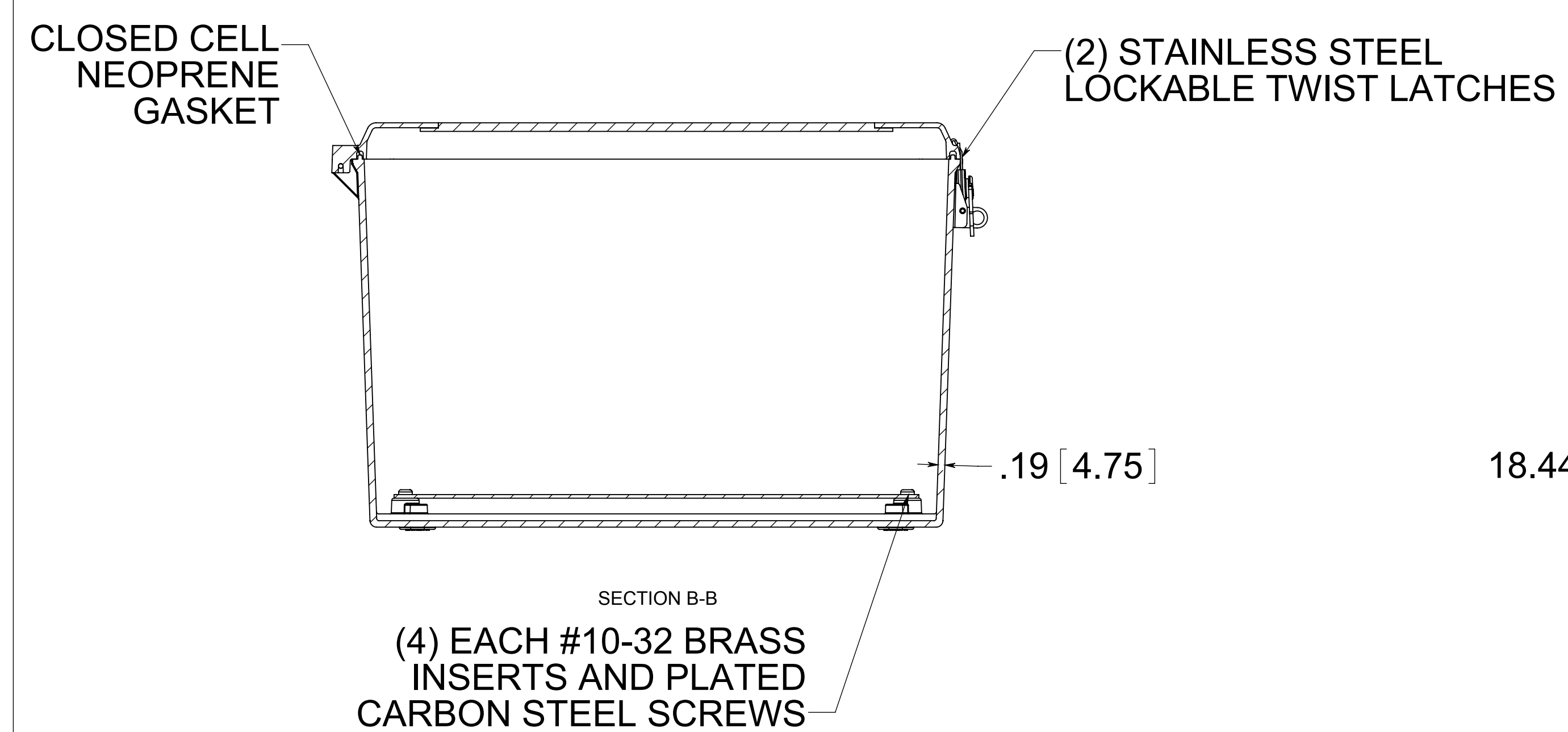
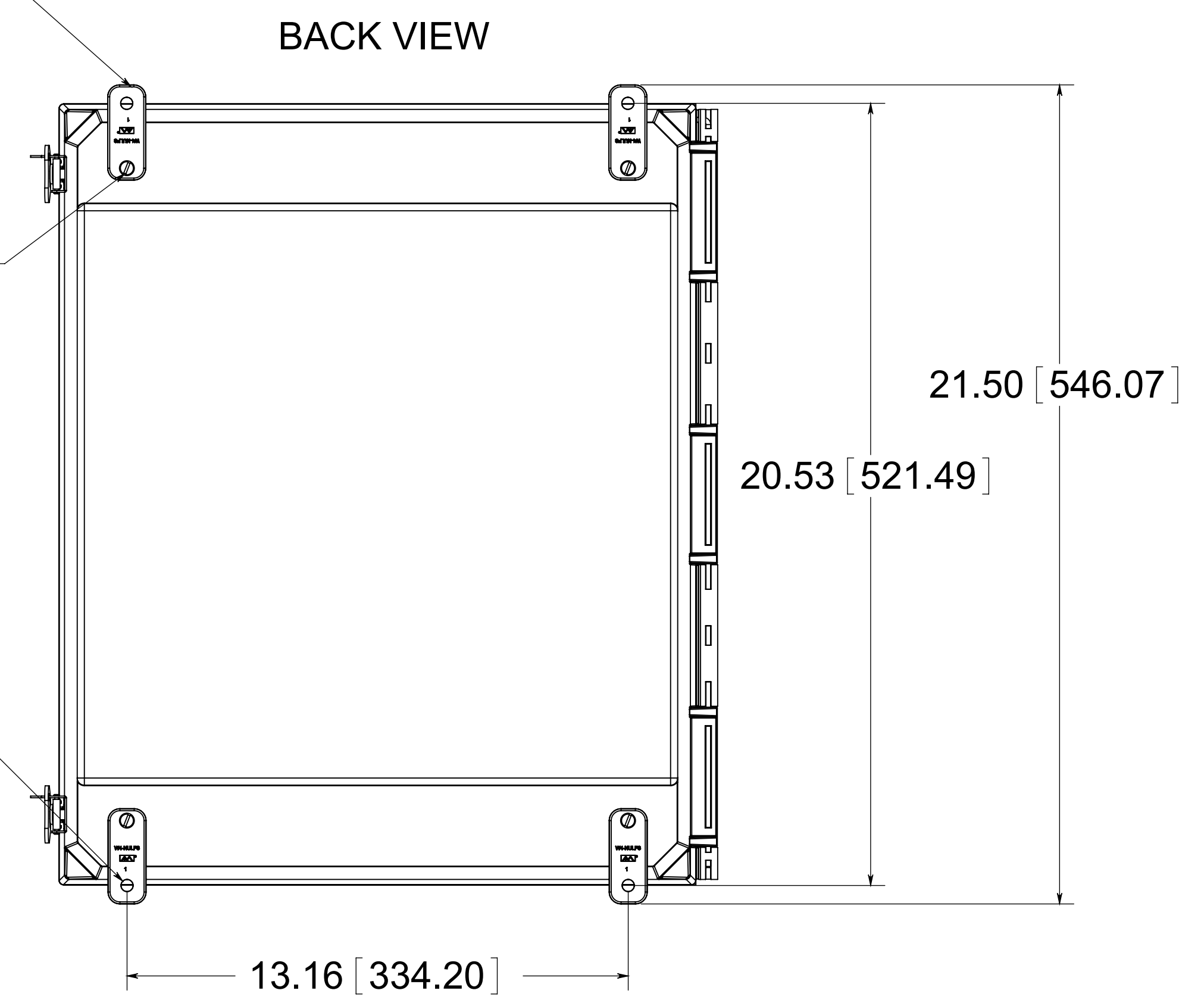
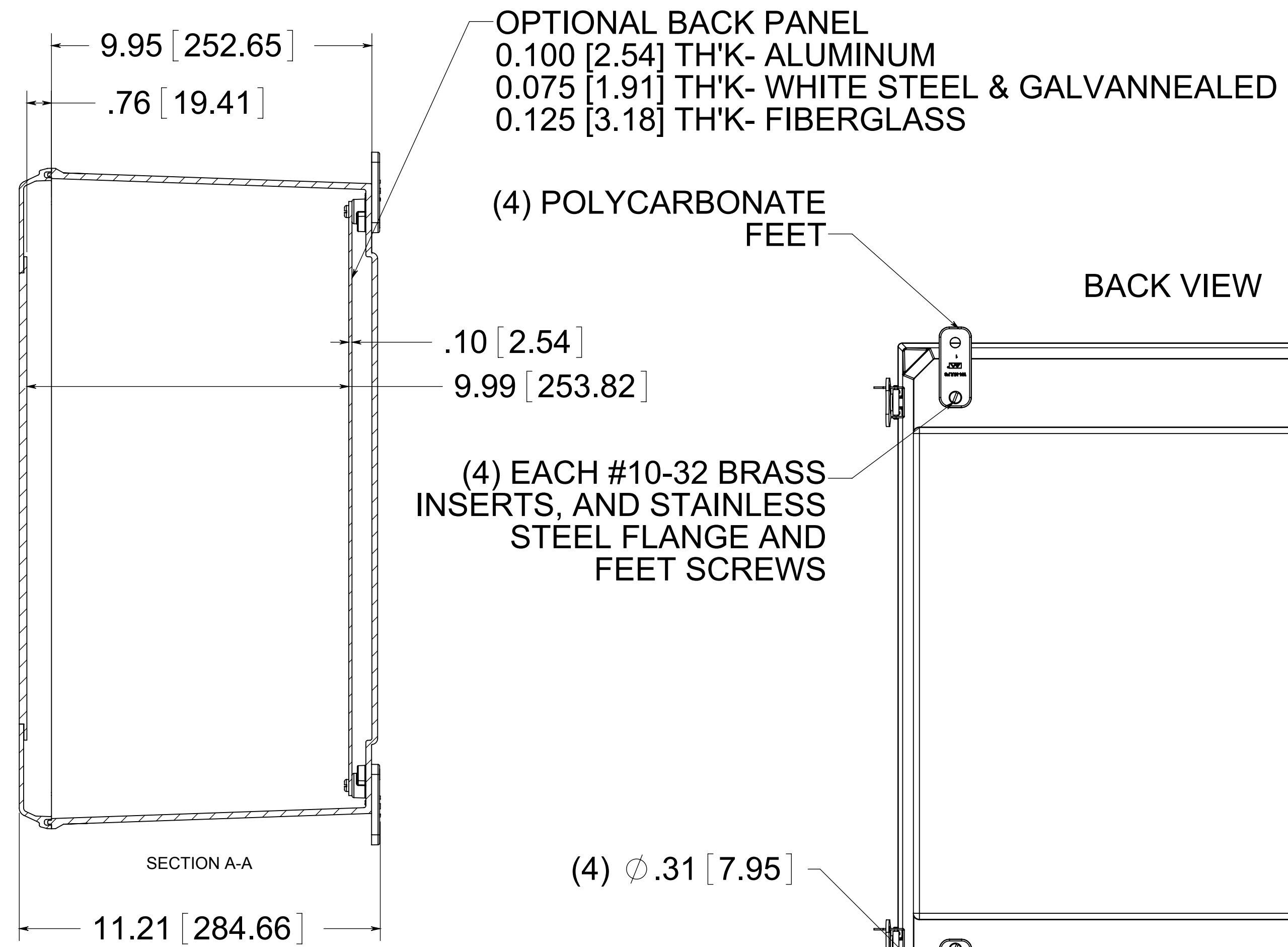
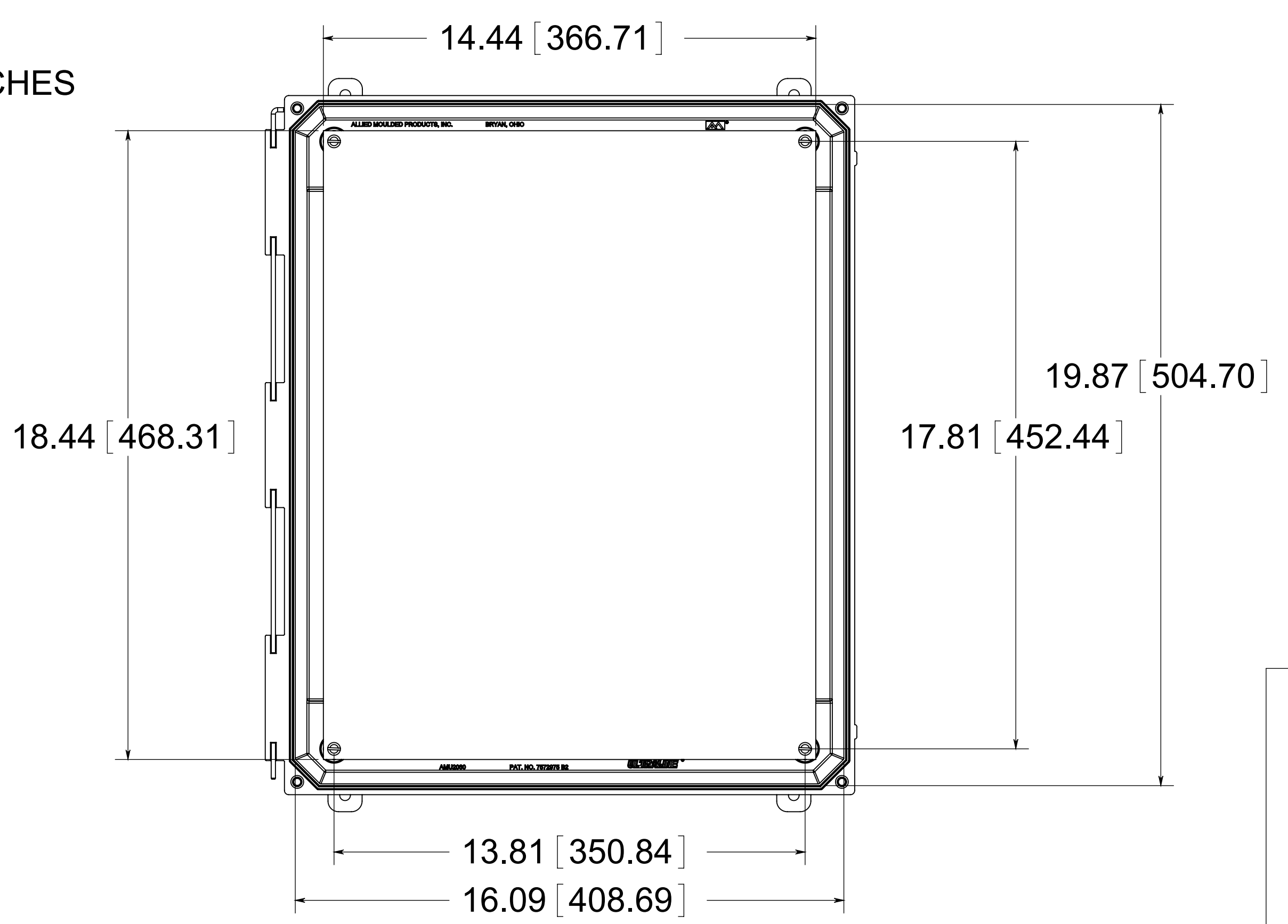


STAINLESS STEEL HINGE PIN



FRONT VIEW WITH COVER REMOVED AND BACK PANEL DISPLAYED



MATERIAL:
 BOX- COMPRESSION MOLDED FIBERGLASS REINFORCED POLYESTER
 COVER- COMPRESSION MOLDED FIBERGLASS REINFORCED POLYESTER
 WINDOWS- POLYCARBONATE

PART No. PJU201610TW
 for more information visit www.hammfg.com
 Data subject to change without notice
 Drawing Not to Scale