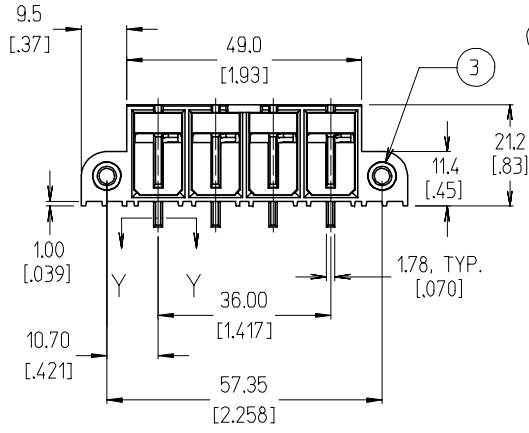
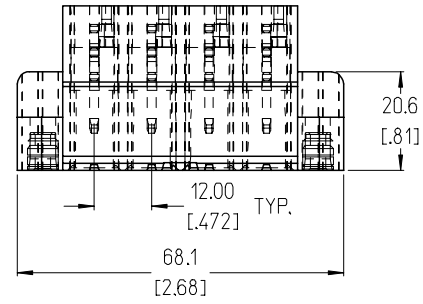
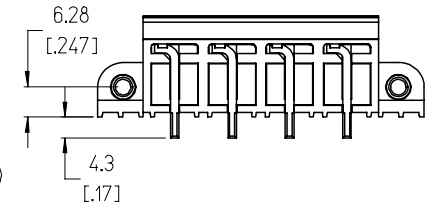
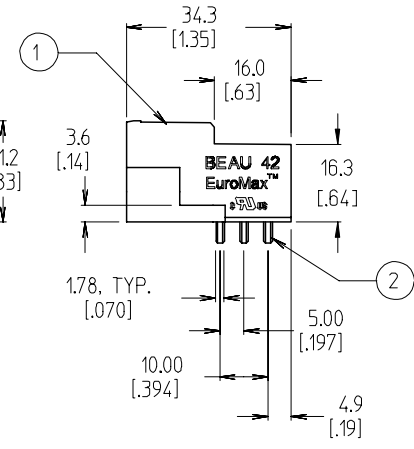


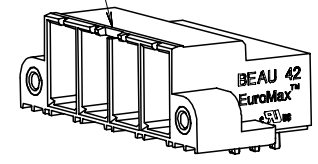
RECOMMENDED PTH PATTERN



SECTION Y-Y
SCALE 3:1



4 CIRCUIT HEADER
HAS ONLY ONE "PRY SLOT"



- NOTES:
1. MATERIAL: SEE TABLE
 2. FINISH: SEE TABLE
 3. PRODUCT SPECIFICATION: SEE PPS.42.001
 4. MATES WITH: 394220004
 5. INCH DIMS ARE SHOWN IN BRACKETS (XXX).
 6. ASSEMBLY IS ROHS COMPLIANT.

ITEM	QTY.	DESCRIPTION	MATERIAL	FINISH
3	2	THD. INSERT, M4	BRASS	NONE
2	4	BLADE CONTACT	COPPER	TIN PLATED
1	1	MOLDING, HEADER	PBT	BLACK

INITIAL RELEASE	EC NO: ETC2007-0371	DRW: C. YORK 2007/04/26	CHKD: J. MACNEIL 2007/05/09	APPR: J. MACNEIL 2007/05/10
REV	DESCRIPTION	QUALITY SYMBOLS		
A				

GENERAL TOLERANCES (UNLESS SPECIFIED)	
mm	INCH
4 PLACES ± ---	± ---
3 PLACES ± ---	± .005
2 PLACES ± 0.13	± .01
1 PLACE ± 0.3	± ---
ANGULAR ± 2 °	
DRAFT WHERE APPLICABLE MUST REMAIN WITHIN DIMENSIONS	

DIMENSION STYLE	
MM/IN	
DRAWN BY	DATE
C. YORK	2007/04/16
CHECKED BY	DATE
J. MACNEIL	2007/04/16
APPROVED BY	DATE
J. MACNEIL	2007/04/16
MATERIAL NO.	
394290003	

SCALE	DESIGN UNITS	THIRD ANGLE PROJECTION
1:1	INCH	
TITLE		
HEADER, 12MM, 85A, 600V, NO PCB MOUNTING HOLE		
MATERIAL NO.		
394290003		
DOCUMENT NO.		
SD-39429-003		
SHEET NO.		
1 OF 1		