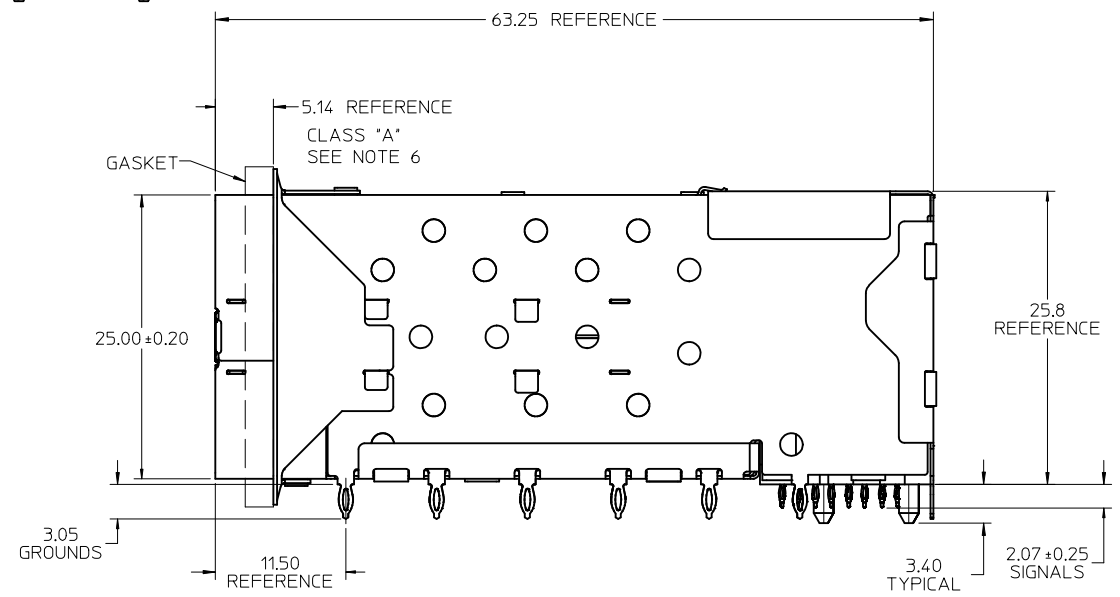


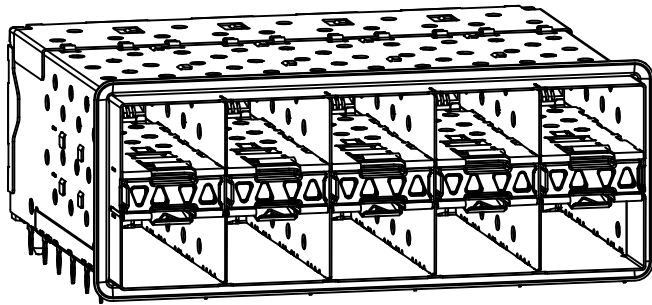
PART NUMBER	DESCRIPTION	VIEW	COMPLIANT TAIL PLATING
	4 LIGHT PORTS	SEE PG 2	TIN / LEAD
	INNER 2 PORTS	SEE PG 2	TIN / LEAD
	OUTER 2 PORTS	SEE PG 2	TIN / LEAD
	4 LIGHT PORTS	SEE PG 2	TIN
	INNER 2 PORTS	SEE PG 2	TIN
760937003	OUTER 2 PORTS	SEE PG 2	TIN

- NOTES:
- MATERIAL:
 - CAGE: NICKEL SILVER, THICKNESS: 0.25mm
 - GASKET FLANGE: STAINLESS STEEL
 - EMI GASKET: CONDUCTIVE POLYMER
 - CONNECTOR HOUSING: GLASS FILLED LIQUID CRYSTAL POLYMER (LCP), UL 94V-0, COLOR: BLACK
 - OVERMOLD TERMINAL HOUSING: GLASS FILLED LIQUID CRYSTAL POLYMER (LCP), UL 94V-0, COLOR: BLACK
 - TERMINALS: BRASS
 - LIGHT PIPE HOUSING: ZINC
 - FINISH
 - TERMINALS: CONTACT AREA: 0.76 MICROMETERS MINIMUM HARD GOLD OVER 1.27 MICROMETERS MINIMUM NICKEL.
 - COMPLIANT TAIL - TIN/LEAD VERSION: 0.76 TO 1.52 MICROMETERS 90/10 TIN-LEAD OVER 0.76 TO 1.52 MICROMETERS NICKEL.
 - COMPLIANT TAIL - TIN VERSION: 0.76 TO 1.52 MICROMETERS 90/10 TIN OVER 0.76 TO 1.52 MICROMETERS NICKEL.
 - LIGHT PIPE HOUSING: 150 MICROMETERS MINIMUM NICKEL OVER 150 MICROMETERS MINIMUM COPPER.
 - REFER TO PS-75310-001 PRODUCT SPEC FOR ALL ELECTRICAL, MECHANICAL AND ENVIRONMENTAL SPECIFICATIONS.
 - LIGHT PIPE PAD LAYOUT IS FOR 0805 LOW-PROFILE LED PACKAGE, FOR OTHER RECOMMENDED LAYOUTS REFER TO MOLEX'S REPORT TS-75310-001
 - REFER TO PK-75733-001 FOR ALL PACKAGING SPECIFICATIONS.
 - THE SURFACES CONFORM TO THE MOLEX COSMETIC SPEC PS-45499-002. ALL EXTERIOR SURFACES TO BE CLASS "B" SURFACE EXCEPT THE UNDERSIDE (CLASS "C") OF THE CAGE (SIDE TOWARD THE PCB) AND AS OTHERWISE NOTED.

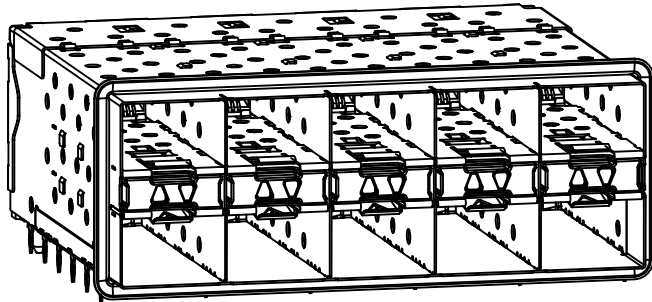


CLRFY CAGE APPRCE EC NO: UCP2011-0874 DRWN:BBARKER 2010/12/13 CHKD: SMILLER 2011/05/02 APPR:SMILLER	QUALITY SYMBOLS ▽=0 ▽=0	GENERAL TOLERANCES (UNLESS SPECIFIED)		DIMENSION STYLE MM ONLY	SCALE 3:1	DESIGN UNITS METRIC	THIRD ANGLE PROJECTION	
		4 PLACES ± --- ± --- 3 PLACES ± --- ± --- 2 PLACES ± 0.13 ± --- 1 PLACE ± 0.25 ± ---	mm INCH	DRAWN BY DATE BBARKER 2010/09/28	TITLE STACKED SFP+ 2X5 ASS'Y WITH ENHANCED EMI AND ELASTOMERIC GASKET			
		ANGULAR ± 5 °		CHECKED BY DATE BSMART	MOLEX MOLEX INCORPORATED			
		DRAFT WHERE APPLICABLE MUST REMAIN WITHIN DIMENSIONS		APPROVED BY DATE SMILLER 2011/05/02	MATERIAL NO. SEE TABLE	DOCUMENT NO. SD-76093-0002	SHEET NO. 1 OF 4	

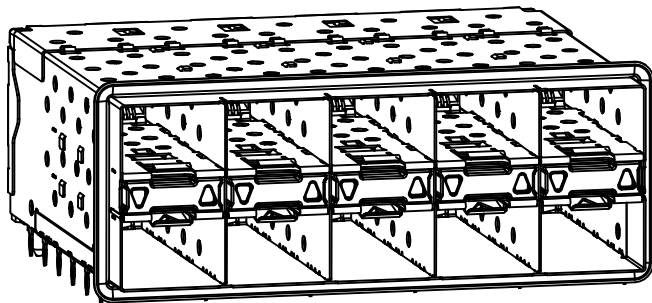
THIS DRAWING CONTAINS INFORMATION THAT IS PROPRIETARY TO MOLEX INCORPORATED AND SHOULD NOT BE USED WITHOUT WRITTEN PERMISSION



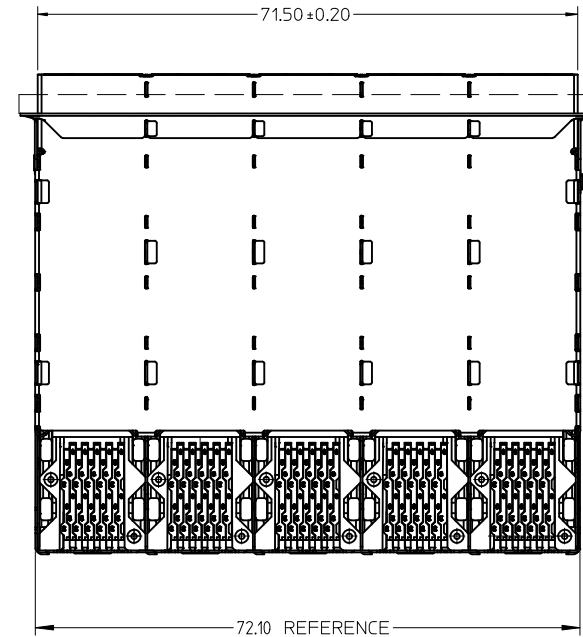
WITH INNER AND OUTER LIGHT PIPES



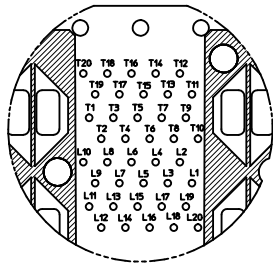
WITH INNER LIGHT PIPES



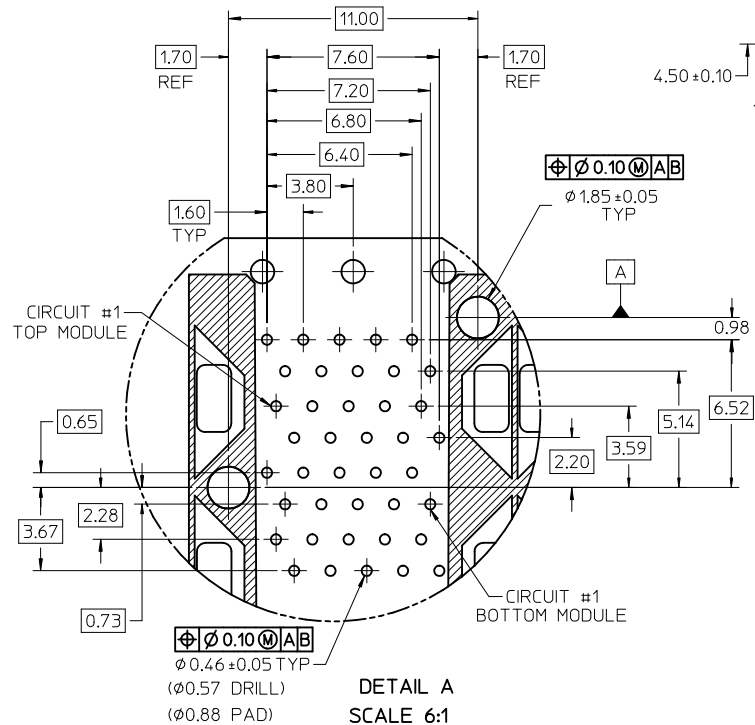
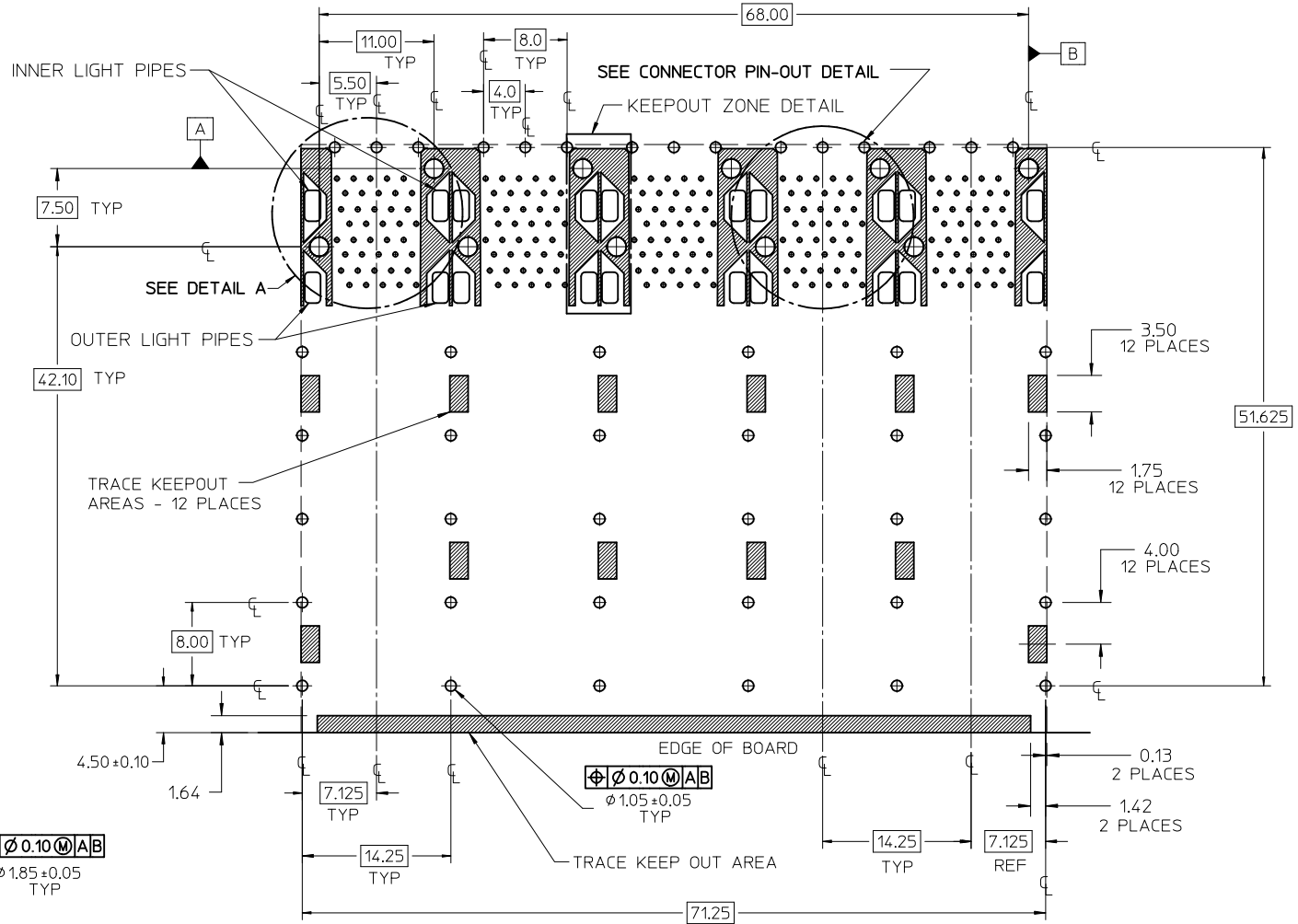
760937003
WITH OUTER LIGHT PIPES



SEE SHEET 1 EC NO: UCP2011-0874 DRWN:BBARKER 2010/12/13 CHKD: APPR:SMILLER 2011/05/02	QUALITY SYMBOLS ▽=0 ▽=0	GENERAL TOLERANCES (UNLESS SPECIFIED) <table border="1"> <thead> <tr> <th></th> <th>mm</th> <th>INCH</th> </tr> </thead> <tbody> <tr> <td>4 PLACES</td> <td>± .10</td> <td>± .004</td> </tr> <tr> <td>3 PLACES</td> <td>± .15</td> <td>± .006</td> </tr> <tr> <td>2 PLACES</td> <td>± 0.13</td> <td>± .005</td> </tr> <tr> <td>1 PLACE</td> <td>± 0.25</td> <td>± .010</td> </tr> </tbody> </table> ANGULAR ± 5 °		mm	INCH	4 PLACES	± .10	± .004	3 PLACES	± .15	± .006	2 PLACES	± 0.13	± .005	1 PLACE	± 0.25	± .010	DIMENSION STYLE MM ONLY DRAWN BY DATE BBARKER 2010/09/28 CHECKED BY DATE BSMART APPROVED BY DATE SMILLER 2011/05/02	SCALE 2:1 DESIGN UNITS METRIC THIRD ANGLE PROJECTION	TITLE STACKED SFP+ 2X5 ASS'Y WITH ENHANCED EMI AND ELASTOMERIC GASKET
		mm	INCH																	
	4 PLACES	± .10	± .004																	
	3 PLACES	± .15	± .006																	
2 PLACES	± 0.13	± .005																		
1 PLACE	± 0.25	± .010																		
DRAFT WHERE APPLICABLE MUST REMAIN WITHIN DIMENSIONS	MATERIAL NO. SEE TABLE	DOCUMENT NO. SD-76093-0002	SHEET NO. 2 OF 4																	
SIZE C	THIS DRAWING CONTAINS INFORMATION THAT IS PROPRIETARY TO MOLEX INCORPORATED AND SHOULD NOT BE USED WITHOUT WRITTEN PERMISSION																			
REV B	DESCRIPTION																			



CONNECTOR PIN-OUT DETAIL
SCALE 4:1

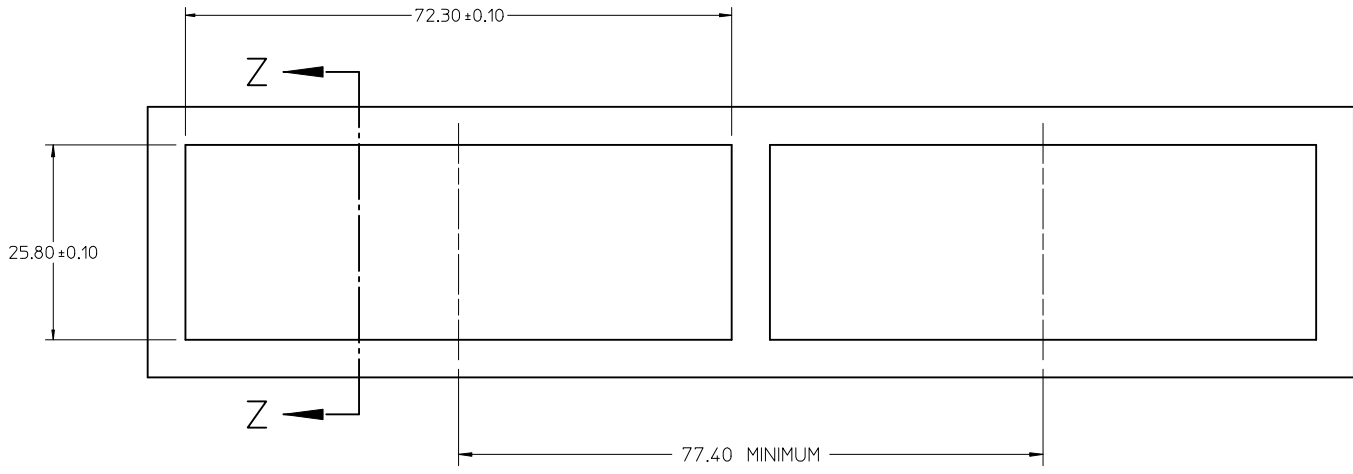


DETAIL A
SCALE 6:1

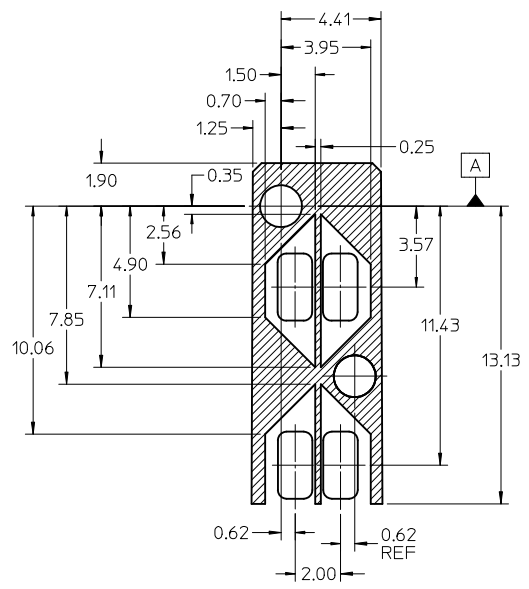
RECOMMENDED PCB LAYOUT - COMPONENT SIDE
RECOMMENDED PCB THICKNESS - 2.36 MM (.093 INCH)

THE ENTIRE AREA OF THE CONNECTOR FOOTPRINT
TO BE CONSIDERED THE KEEP OUT AREA FOR COMPONENTS
THIS AREA IS INDICATED BY THE DASHED LINE

SEE SHEET 1 EC NO: UCP2011-0874 DRWN:BBARKER 2010/12/13 CHKD: APPR:SMILLER 2011/05/02 REV: B	QUALITY SYMBOLS $\nabla=0$ $\nabla=0$	GENERAL TOLERANCES (UNLESS SPECIFIED) <table border="1"> <tr> <th></th> <th>mm</th> <th>INCH</th> </tr> <tr> <td>4 PLACES</td> <td>$\pm .13$</td> <td>$\pm .005$</td> </tr> <tr> <td>3 PLACES</td> <td>$\pm .13$</td> <td>$\pm .005$</td> </tr> <tr> <td>2 PLACES</td> <td>± 0.13</td> <td>$\pm .005$</td> </tr> <tr> <td>1 PLACE</td> <td>± 0.25</td> <td>$\pm .010$</td> </tr> </table>		mm	INCH	4 PLACES	$\pm .13$	$\pm .005$	3 PLACES	$\pm .13$	$\pm .005$	2 PLACES	± 0.13	$\pm .005$	1 PLACE	± 0.25	$\pm .010$	DIMENSION STYLE MM ONLY DRAWN BY DATE BBARKER 2010/09/28 CHECKED BY DATE BSMART APPROVED BY DATE SMILLER 2011/05/02	SCALE 3:1 DESIGN UNITS METRIC THIRD ANGLE PROJECTION	STACKED SFP+ 2X5 ASS'Y WITH ENHANCED EMI AND ELASTOMERIC GASKET MOLEX INCORPORATED DOCUMENT NO. SD-76093-0002 SHEET NO. 3 OF 4
		mm	INCH																	
	4 PLACES	$\pm .13$	$\pm .005$																	
	3 PLACES	$\pm .13$	$\pm .005$																	
2 PLACES	± 0.13	$\pm .005$																		
1 PLACE	± 0.25	$\pm .010$																		
DRAFT WHERE APPLICABLE MUST REMAIN WITHIN DIMENSIONS	MATERIAL NO. SEE TABLE SIZE C	THIS DRAWING CONTAINS INFORMATION THAT IS PROPRIETARY TO MOLEX INCORPORATED AND SHOULD NOT BE USED WITHOUT WRITTEN PERMISSION																		

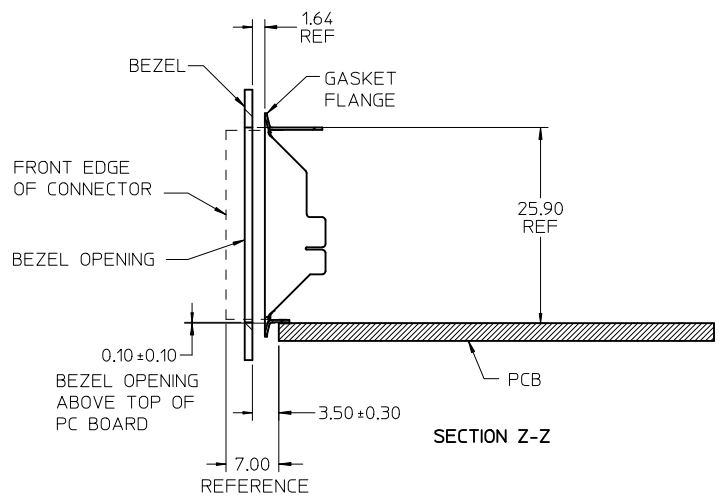


BEZEL CUTOUT CENTER SPACING DETAIL
BEZEL THICKNESS 0.8 TO 2.6



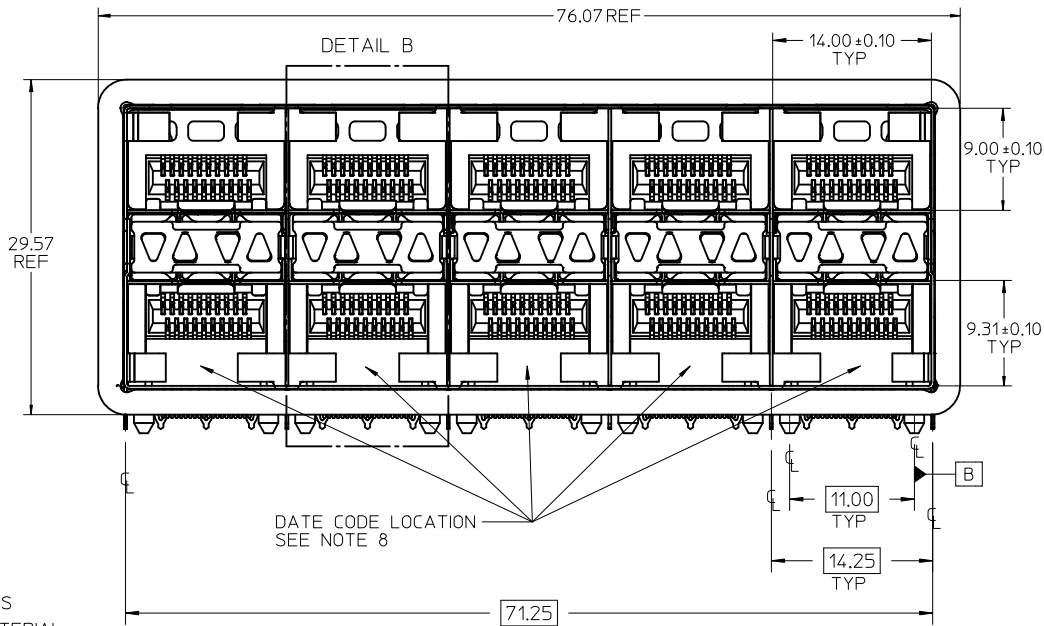
KEEPOUT ZONE DETAIL
SCALE 6:1

THE HATCHED AREA IN THIS VIEW INDICATES ZONES THAT ARE OCCUPIED BY THE PLASTIC HOUSING THAT SEATS AGAINST THE PCB AND BY THE VERTICAL METAL CAGE WALL THAT STOPS JUST SHORT OF THE PCB



SECTION Z-Z

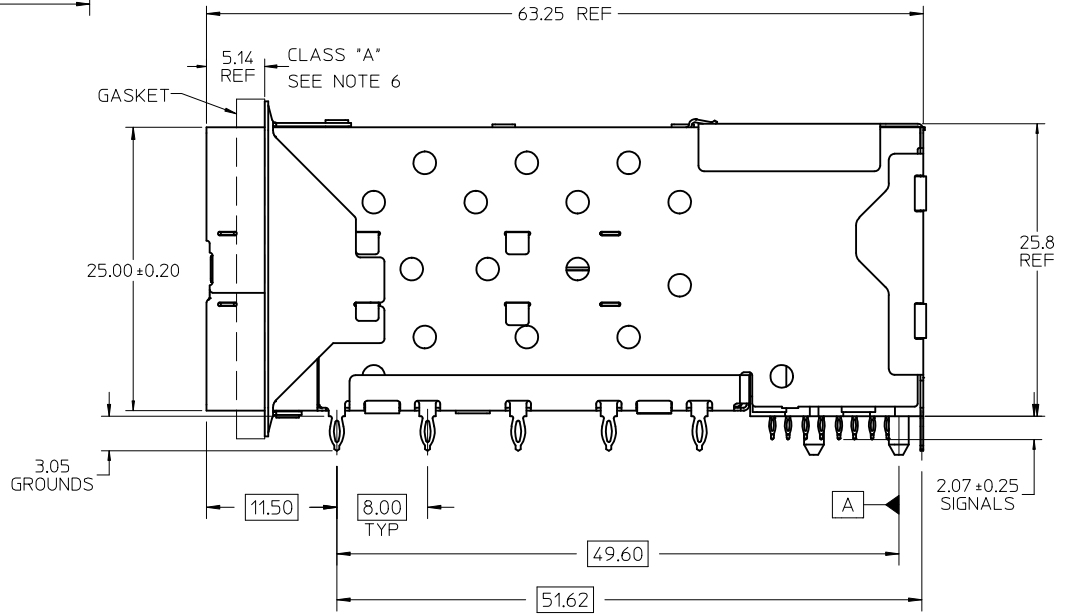
SEE SHEET 1 EC NO: UCP2011-0874 DRW: BBARKER 2010/12/13 CHKD: MILLER APPR: SMILLER 2011/05/02	QUALITY SYMBOLS ▽=0 ▽=0	GENERAL TOLERANCES (UNLESS SPECIFIED) <table border="1"> <thead> <tr> <th></th> <th>mm</th> <th>INCH</th> </tr> </thead> <tbody> <tr> <td>4 PLACES</td> <td>± 0.13</td> <td>± 0.005</td> </tr> <tr> <td>3 PLACES</td> <td>± 0.13</td> <td>± 0.005</td> </tr> <tr> <td>2 PLACES</td> <td>± 0.13</td> <td>± 0.005</td> </tr> <tr> <td>1 PLACE</td> <td>± 0.25</td> <td>± 0.010</td> </tr> </tbody> </table>		mm	INCH	4 PLACES	± 0.13	± 0.005	3 PLACES	± 0.13	± 0.005	2 PLACES	± 0.13	± 0.005	1 PLACE	± 0.25	± 0.010	DIMENSION STYLE MM ONLY DRAWN BY: BBARKER DATE: 2010/09/28 CHECKED BY: BSMART DATE: _____ APPROVED BY: SMILLER DATE: 2011/05/02	SCALE: 2:1 DESIGN UNITS: METRIC THIRD ANGLE PROJECTION	TITLE: STACKED SFP+ 2X5 ASS'Y WITH ENHANCED EMI AND ELASTOMERIC GASKET MOLEX INCORPORATED DOCUMENT NO. SD-76093-0002 SHEET NO. 4 OF 4
		mm	INCH																	
4 PLACES	± 0.13	± 0.005																		
3 PLACES	± 0.13	± 0.005																		
2 PLACES	± 0.13	± 0.005																		
1 PLACE	± 0.25	± 0.010																		
DRAFT WHERE APPLICABLE MUST REMAIN WITHIN DIMENSIONS SEE TABLE THIS DRAWING CONTAINS INFORMATION THAT IS PROPRIETARY TO MOLEX INCORPORATED AND SHOULD NOT BE USED WITHOUT WRITTEN PERMISSION																				



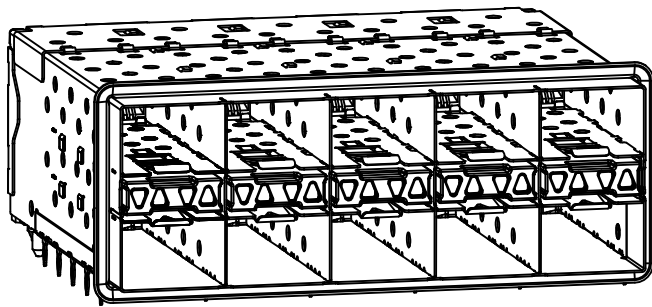
PART NUMBER	DESCRIPTION	VIEW	COMPLIANT TAIL PLATING
760930001	4 LIGHT PORTS	SEE PG 2	MATTE TIN / LEAD
760930002	INNER 2 PORTS	SEE PG 2	MATTE TIN / LEAD
760930003	OUTER 2 PORTS	SEE PG 2	MATTE TIN / LEAD
760935001	4 LIGHT PORTS	SEE PG 2	MATTE TIN
760935002	INNER 2 PORTS	SEE PG 2	MATTE TIN
760935003	OUTER 2 PORTS	SEE PG 2	MATTE TIN

NOTES

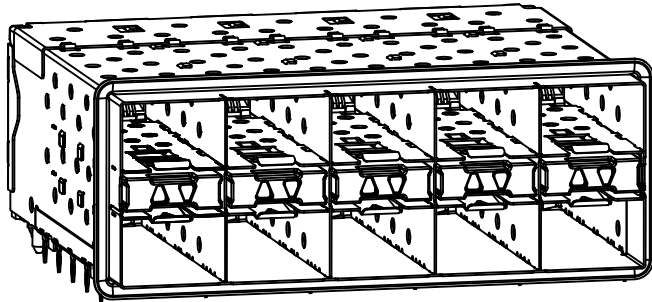
- MATERIAL:
 - CAGE: NICKEL SILVER, THICKNESS: 0.25mm
 - CONNECTOR HOUSING: GLASS FILLED LIQUID CRYSTAL POLYMER (LCP), UL 94V-0, COLOR: BLACK
 - OVERMOLD TERMINAL HOUSING: GLASS FILLED LIQUID CRYSTAL POLYMER (LCP), UL 94V-0, COLOR: BLACK
 - TERMINALS: TIN BRASS
 - EMI GASKET: CONDUCTIVE ELASTOMER
 - LIGHTPIPE HOUSING: ZINC
 - LIGHTPIPES: POLYCARBONATE, COLOR: CLEAR
- FINISHES:
 - TERMINALS: CONTACT AREA: 0.76 MICROMETERS MINIMUM HARD GOLD OVER 1.27 MICROMETERS MINIMUM NICKEL.
 - COMPLIANT TAIL - MATTE TIN/LEAD OPTION: 0.76 TO 1.52 MICROMETERS 90/10 MATTE TIN-LEAD OVER 0.76 MICROMETERS MINIMUM NICKEL.
 - COMPLIANT TAIL - MATTE TIN OPTION: 0.76 TO 1.52 MICROMETERS MATTE TIN OVER 0.76 MICROMETERS MINIMUM NICKEL.
 - LIGHT PIPE HOUSING: 80 MICROMETERS MINIMUM NICKEL OVER COPPER
- REFER TO PS-75310-001 PRODUCT SPEC FOR ALL ELECTRICAL, MECHANICAL AND ENVIRONMENTAL SPECIFICATIONS.
- LIGHT PIPE PAD LAYOUT IS FOR 0805 LOW-PROFILE LED PACKAGE. FOR OTHER RECOMMENDED LAYOUTS REFER TO MOLEX'S REPORT TS-75310-001
- REFER TO PK-75733-001 FOR ALL PACKAGING SPECIFICATIONS.
- ALL EXTERIOR SURFACES TO BE CLASS "B" SURFACES EXCEPT THE UNDER SIDE OF THE CAGE WHERE THE PCB WOULD BE LOCATED AND AS NOTED. THE SURFACES TO CONFORM TO THE MOLEX COSMETIC DOC PS-45499-002.
- REFER TO AS-76090-001 FOR HIGH SPEED ROUTING RECOMMENDATIONS.
- DATE CODE LOCATION IS SHOWN ABOVE.
 - DATE CODE FORMAT: DDDY MX A1
 - DDD = DAY OF THE YEAR
 - Y = YEAR
 - MX = MOLEX
 - A = ALPHA CHARACTER - INDICATES MANUFACTURING LINE
 - 1 = NUMERIC CHARACTER - INDICATES PRODUCTION SHIFT



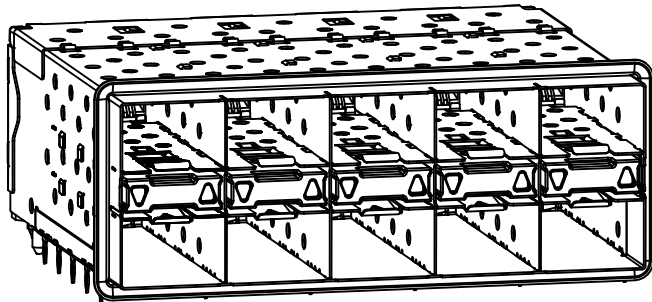
ADD NOTE 7 & 8 EC NO: UCP2011-2594 DRWN: MWOLFE 2011/03/07 CHKD: BARKER 2011/03/07 APPR: SMILLER 2011/09/20	QUALITY SYMBOLS ∇=0 ∇=0 ∇=0	GENERAL TOLERANCES (UNLESS SPECIFIED)		DIMENSION STYLE MM ONLY		SCALE 3:1	DESIGN UNITS METRIC	THIRD ANGLE PROJECTION	
		mm	INCH	DRAWN BY	DATE	STACKED SFP+ 2X5 ASS'Y WITH ELASTOMERIC GASKET AND LIGHTPIPES MOLEX INCORPORATED MATERIAL NO. SEE TABLE DOCUMENT NO. SD-76093-001 SHEET NO. 1 OF 4			
		4 PLACES ± --- ± ---		JLONG	01-18-2007				
		3 PLACES ± --- ± ---		CHECKED BY	DATE				
2 PLACES ± 0.13 ± ---		MSANDBERG	01-18-2007						
		1 PLACE ± 0.25 ± ---		APPROVED BY	DATE				
		ANGULAR ± 5 °		RNELSON	01-18-2007				
DRAFT WHERE APPLICABLE MUST REMAIN WITHIN DIMENSIONS		SEE TABLE							
		THIS DRAWING CONTAINS INFORMATION THAT IS PROPRIETARY TO MOLEX INCORPORATED AND SHOULD NOT BE USED WITHOUT WRITTEN PERMISSION							



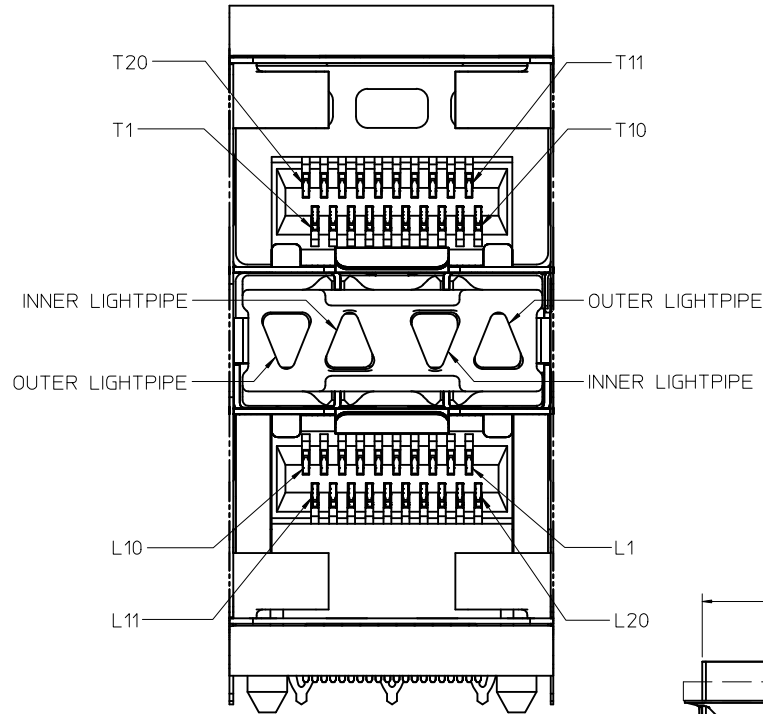
760930001 AND 760935001
WITH INNER AND OUTER LIGHT PIPES



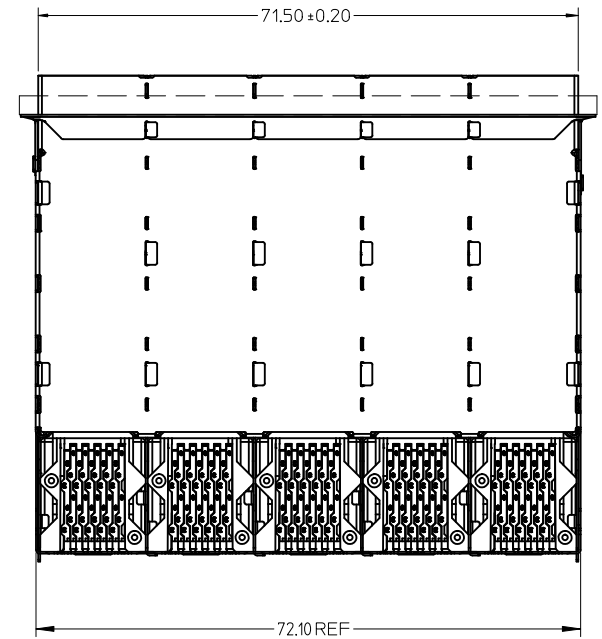
760930002 AND 760935002
WITH INNER LIGHTPIPER



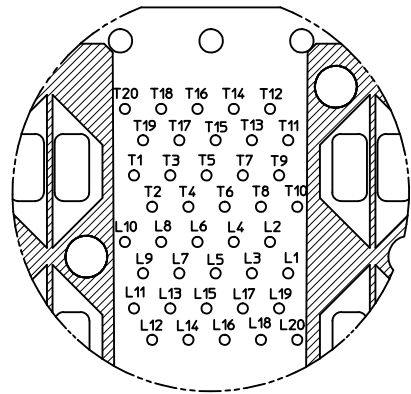
760930003 AND 760935003
WITH OUTER LIGHTPIPER



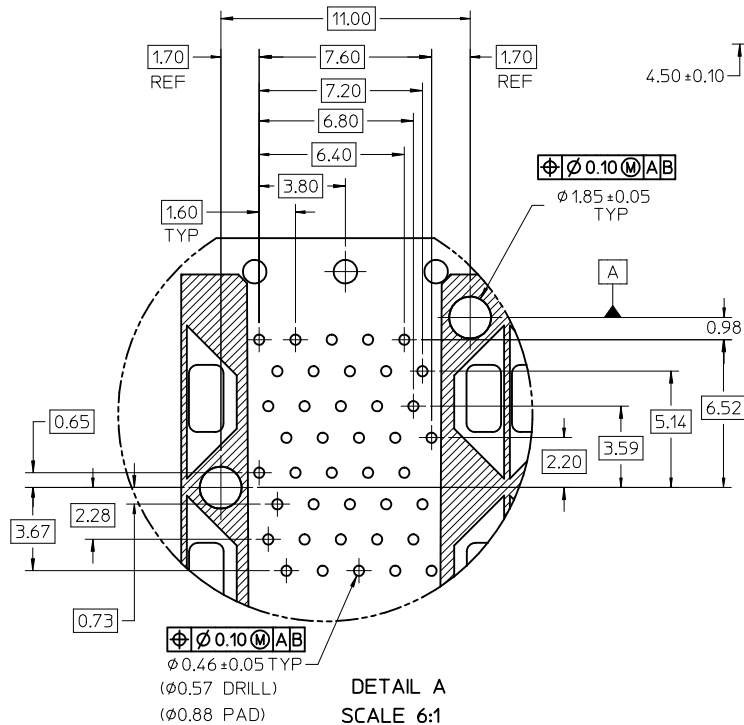
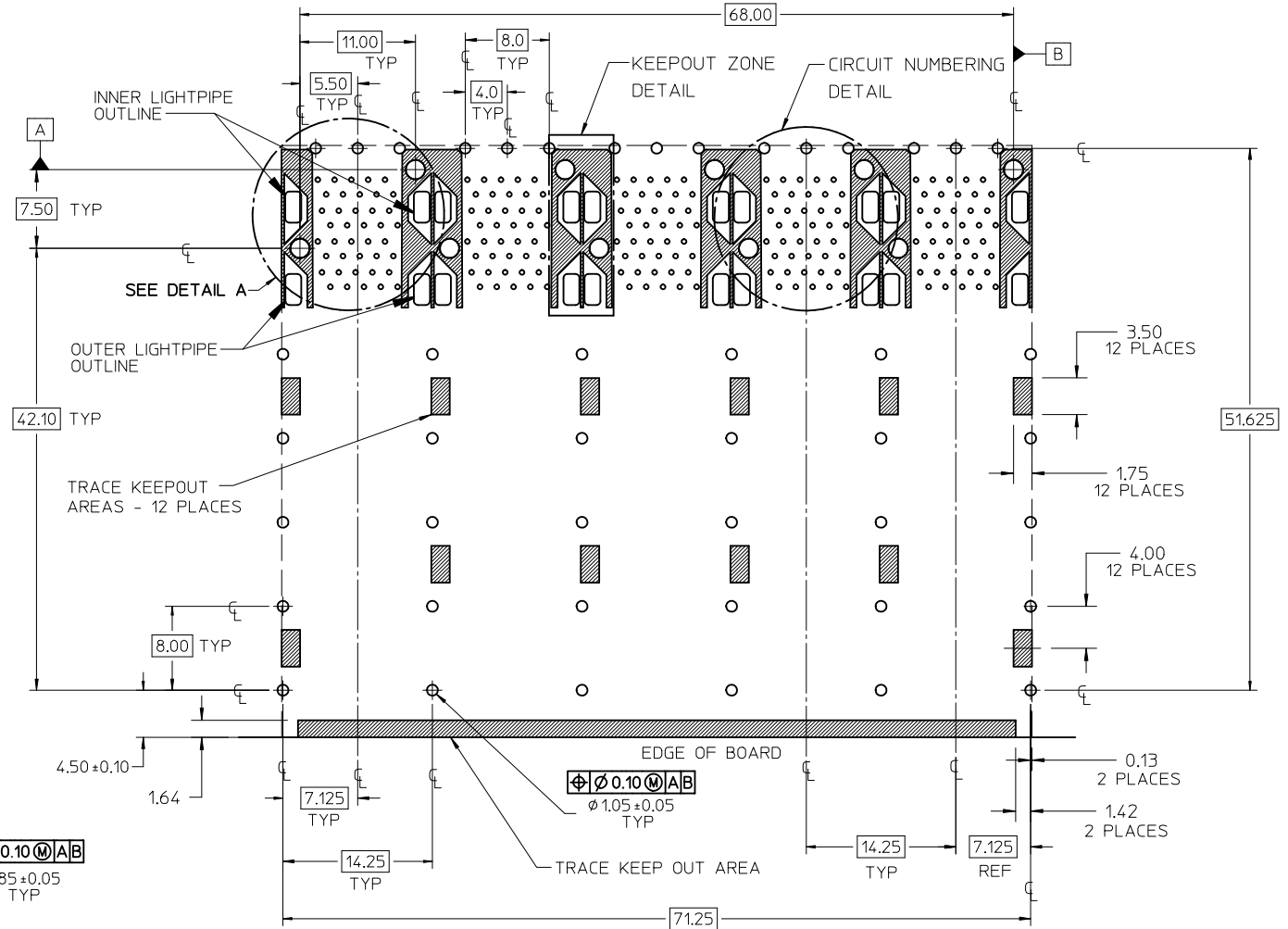
DETAIL B
SCALE 6:1
CIRCUIT NUMBERING
AND LIGHTPIPE
IDENTIFICATION



ADD DETAIL B EC NO: UCP2011-2594 DRWN:WOLFE 2011/03/07 CHKD:BBARKER 2011/03/07 APPR:SMILLER 2011/09/20	QUALITY SYMBOLS ▽=0 ▽=0 ▽=0	GENERAL TOLERANCES (UNLESS SPECIFIED)		DIMENSION STYLE MM ONLY	SCALE 2:1	DESIGN UNITS METRIC	THIRD ANGLE PROJECTION		
		4 PLACES ± --- ± ---	3 PLACES ± --- ± ---	2 PLACES ± 0.13 ± ---	1 PLACE ± 0.25 ± ---	DRAWN BY JLONG	DATE 01-18-2007	TITLE STACKED SFP+ 2X5 ASS'Y WITH ELASTOMERIC GASKET AND LIGHTPIPER	
		ANGULAR ± 5 °		DRAFT WHERE APPLICABLE MUST REMAIN WITHIN DIMENSIONS		CHECKED BY MSANDBERG	DATE 01-18-2007	APPROVED BY RNELSON	
		MATERIAL NO. SEE TABLE		DATE 01-18-2007		MOLEX INCORPORATED		DOCUMENT NO. SD-76093-001	SHEET NO. 2 OF 4



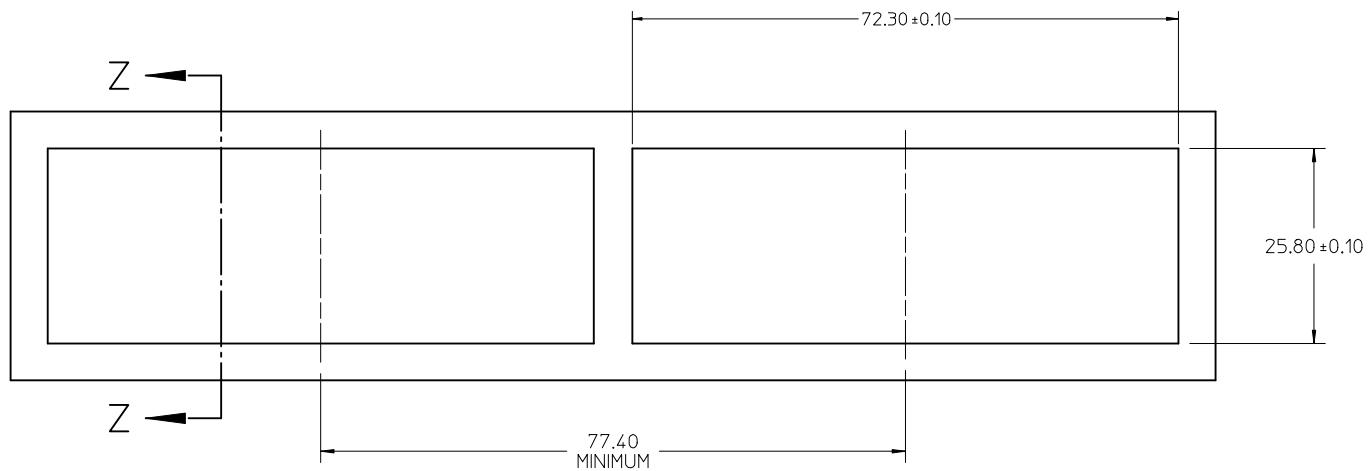
CIRCUIT NUMBERING
COMPONENT SIDE OF BOARD
SCALE 6:1



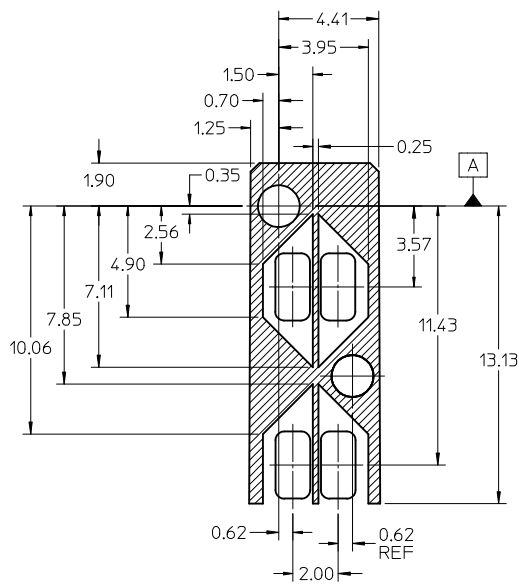
RECOMMENDED PCB LAYOUT - COMPONENT SIDE
RECOMMENDED PCB THICKNESS - 2.36 MM (.093 INCH)

THE ENTIRE AREA OF THE CONNECTOR FOOTPRINT
TO BE CONSIDERED THE KEEP OUT AREA FOR COMPONENTS
THIS AREA IS INDICATED BY THE DASHED LINE

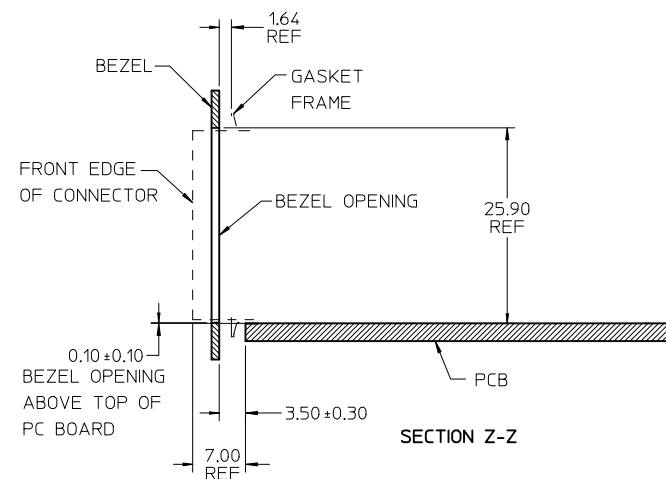
CHG DETAIL CALLOUT EC NO: UCP2011-2594 DRWN: MWOLFE 2011/03/07 CHKD: BBARKER 2011/03/07 APPR: SMILLER 2011/09/20	QUALITY SYMBOLS $\nabla = 0$ $\nabla = 0$ $\nabla = 0$	GENERAL TOLERANCES (UNLESS SPECIFIED)		DIMENSION STYLE MM ONLY	SCALE 3:1	DESIGN UNITS METRIC	THIRD ANGLE PROJECTION
		4 PLACES \pm --- \pm --- 3 PLACES \pm --- \pm --- 2 PLACES ± 0.13 \pm --- 1 PLACE ± 0.25 \pm ---	mm INCH DRAWN BY DATE JLONG 01-18-2007 CHECKED BY DATE MSANDBERG 01-18-2007 APPROVED BY DATE RNELSON 01-18-2007	TITLE STACKED SFP+ 2X5 ASS'Y WITH ELASTOMERIC GASKET AND LIGHTPIPES		MOLEX INCORPORATED	SHEET NO. 3 OF 4
		DRAFT WHERE APPLICABLE MUST REMAIN WITHIN DIMENSIONS		MATERIAL NO. SEE TABLE	DOCUMENT NO. SD-76093-001		
		THIS DRAWING CONTAINS INFORMATION THAT IS PROPRIETARY TO MOLEX INCORPORATED AND SHOULD NOT BE USED WITHOUT WRITTEN PERMISSION					



BEZEL CUTOUT CENTER SPACING DETAIL
BEZEL THICKNESS 0.8-2.6



KEEPOUT ZONE DETAIL
SCALE 6:1



ADD SECOND BEZEL CUTOUT EC NO: UCP2011-2594 DRW: MWOLFE 2011/03/07 CHKD: BARKER 2011/03/07 APPR: MILLER 2011/09/20	QUALITY SYMBOLS	GENERAL TOLERANCES (UNLESS SPECIFIED)	DIMENSION STYLE MM ONLY	SCALE 2:1	DESIGN UNITS METRIC	THIRD ANGLE PROJECTION
	▽=0	mm INCH	DRAWN BY DATE JLONG 01-18-2007	TITLE STACKED SFP+ 2X5 ASS'Y WITH ELASTOMERIC GASKET AND LIGHTPIPES	MOLEX INCORPORATED DOCUMENT NO. SD-76093-001 SHEET NO. 4 OF 4	
	▽=0	4 PLACES ± --- ± ---	CHECKED BY DATE MSANDBERG 01-18-2007			
	▽=0	3 PLACES ± --- ± ---	APPROVED BY DATE RNELSON 01-18-2007	SIZE C	THIS DRAWING CONTAINS INFORMATION THAT IS PROPRIETARY TO MOLEX INCORPORATED AND SHOULD NOT BE USED WITHOUT WRITTEN PERMISSION	
▽=0	2 PLACES ± 0.13 ± ---	ANGULAR ± 5 °	DRAFT WHERE APPLICABLE MUST REMAIN WITHIN DIMENSIONS			
▽=0	1 PLACE ± 0.25 ± ---					