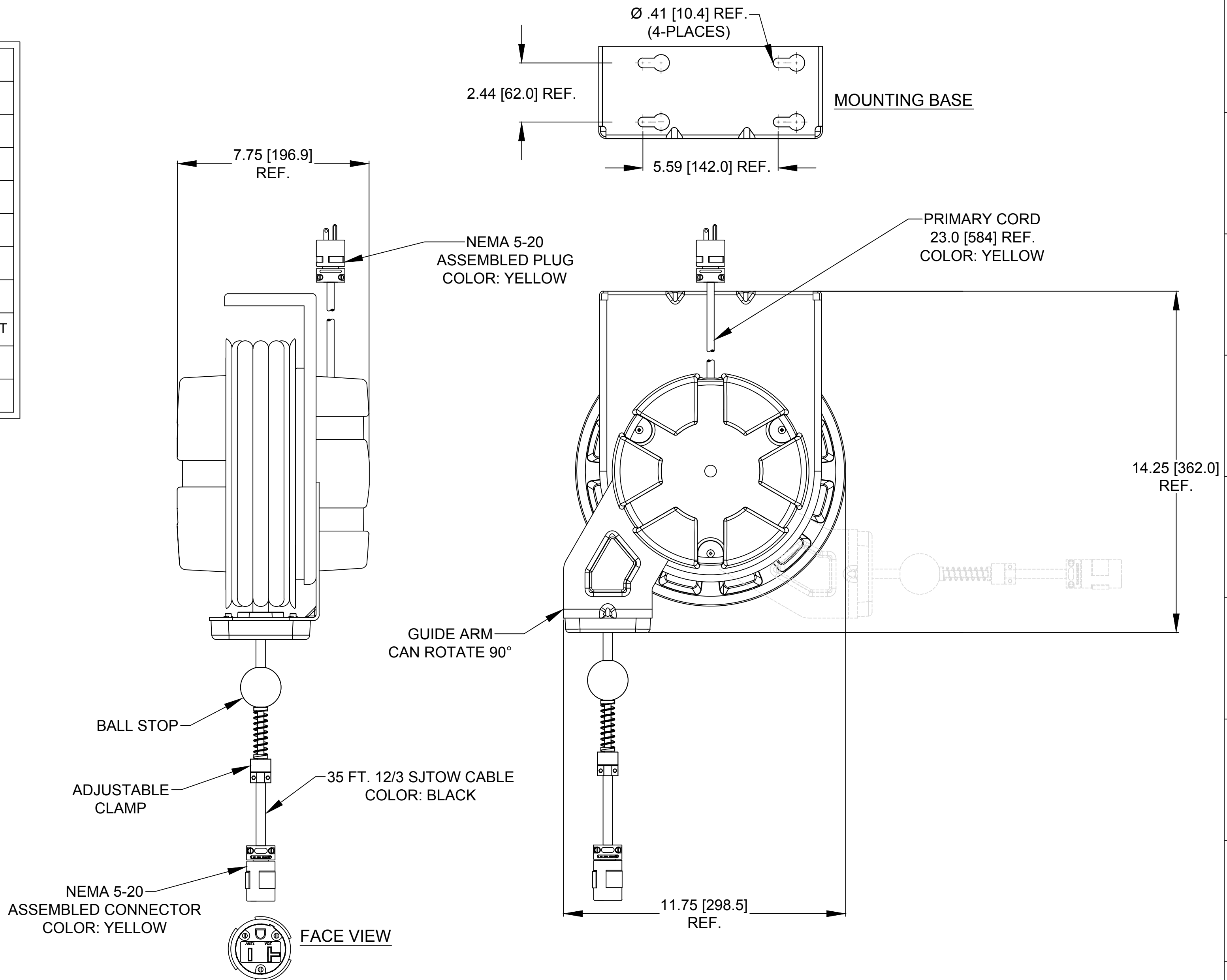



<b>ORDER NO.</b>	<b>1300910203</b>
<b>WOODHEAD ENG. NO.</b>	<b>998-1533</b>
WIRE GAUGE	12
CONDUCTORS	3
AMPERAGE	20A
CORD LENGTH	35 FT [10.6 M]
CORD TYPE	SJTOW
CONSTRUCTION	SHEET METAL
PAINT	YELLOW POWDER COAT
REEL ENCLOSURE RATING	INDOOR
RETRACTION WEIGHT	3.0 LB [1.4 KG]



- NOTES:**
- CABLE GUIDE IS ADJUSTABLE - DUAL POSITION
  - RATCHET LOCK IS EASY TO DISENGAGE FOR CONSTANT TENSION.
  - REEL CANNOT BE "LOCKED OUT" AT FULL TENSION.
  - BALL STOP INCLUDED
  - CSA CERTIFIED  
FILE NO. LR29921 

RELEASE SALES DRAWING EC NO.: IPG2016-0112 DRWN: KCOX01 2015/07/30 CH'KD: HRUIZ01 2015/07/30 APPR: JFMURPHY 2015/09/17	QUALITY SYMBOL	GENERAL TOLERANCES (UNLESS SPECIFIED)	DIMENSION STYLE INCH/MM	SCALE NTS	DESIGN UNITS INCH	THIRD ANGLE PROJECTION
	▽=0	4 PLACES ±--- ±---	DRAWN BY DATE	TITLE		
	▽C=0	3 PLACES ±--- ±.005	CHECKED BY DATE	20A CORD REEL		
		2 PLACES ±.13 ±.010	APPROVED BY DATE	35' #12-3 SJTOW		
		1 PLACE ±.25 ±.020	JFMURPHY 2015/09/17	NEMA 5-20 PLUG/CONNECTOR		
	ANGULAR ±1/2°	MATERIAL NO.	MOLEX INCORPORATED			
	DRAFT WHERE APPLICABLE MUST REMAIN WITHIN DIMENSIONS	1300910203	DOCUMENT NO. SD-130091-013		SHEET NO. 1 OF 1	
		SIZE C	THIS DRAWING CONTAINS INFORMATION THAT IS PROPRIETARY TO MOLEX INCORPORATED AND SHOULD NOT BE USED WITHOUT WRITTEN PERMISSION			