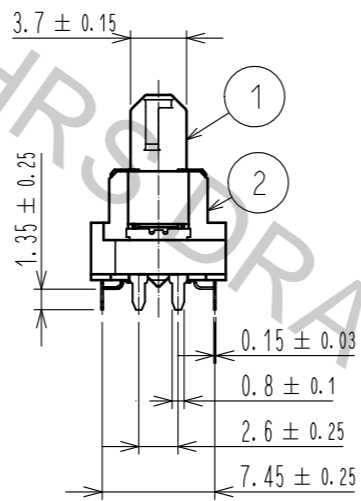
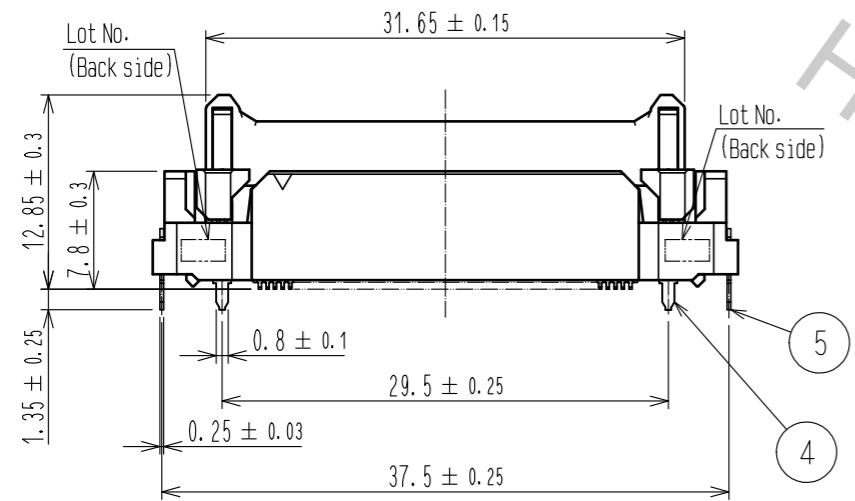
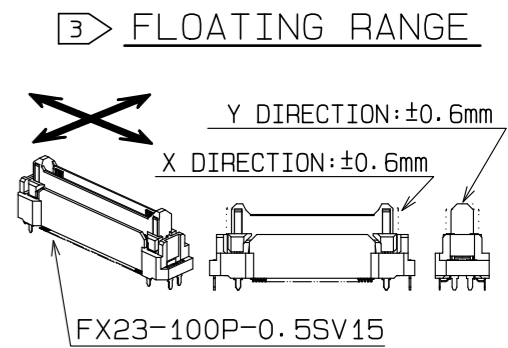
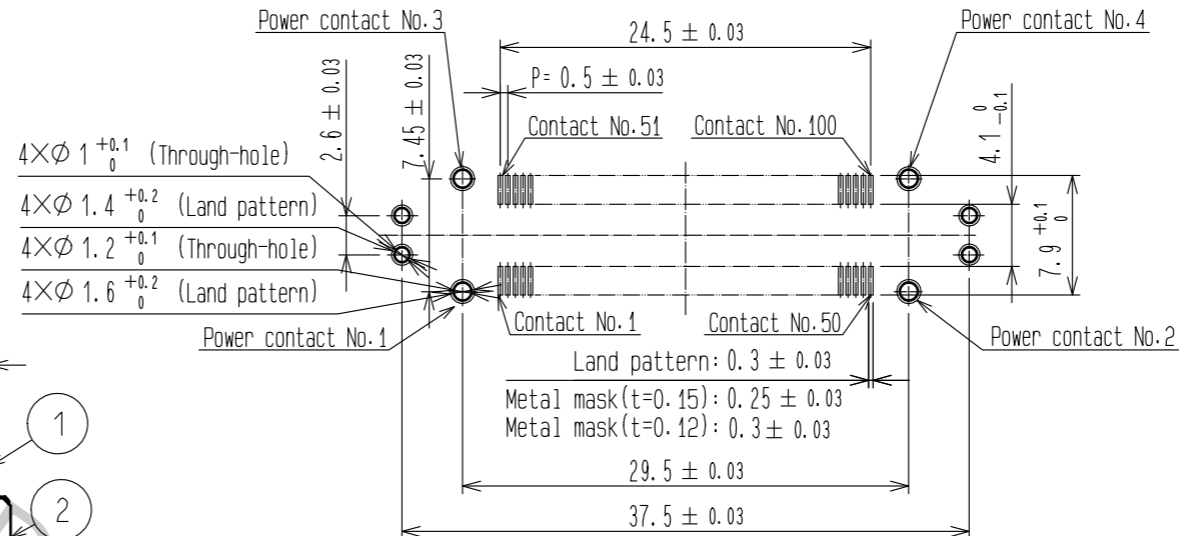
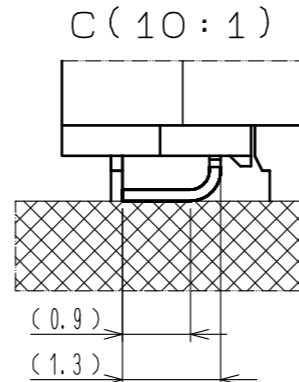
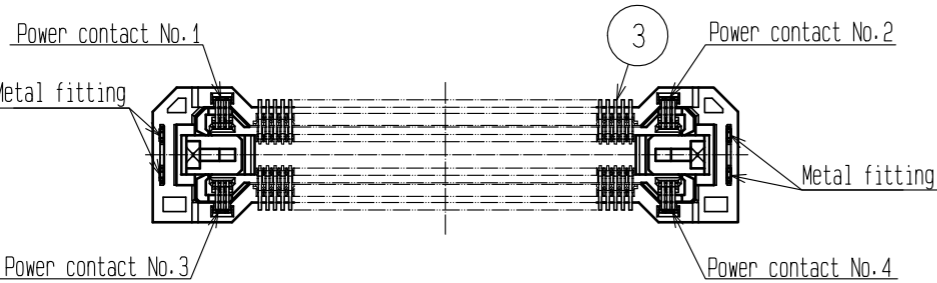
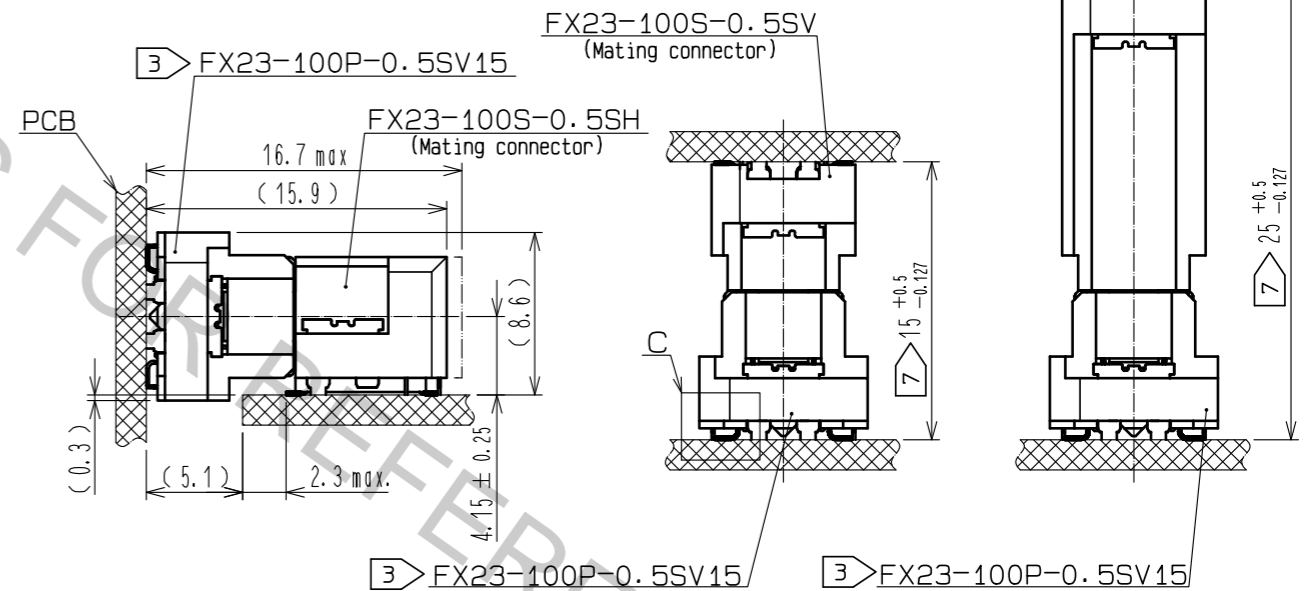


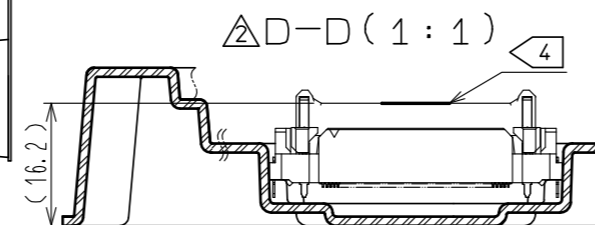
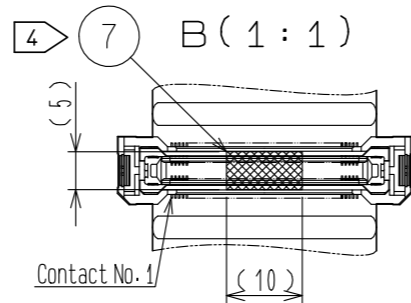
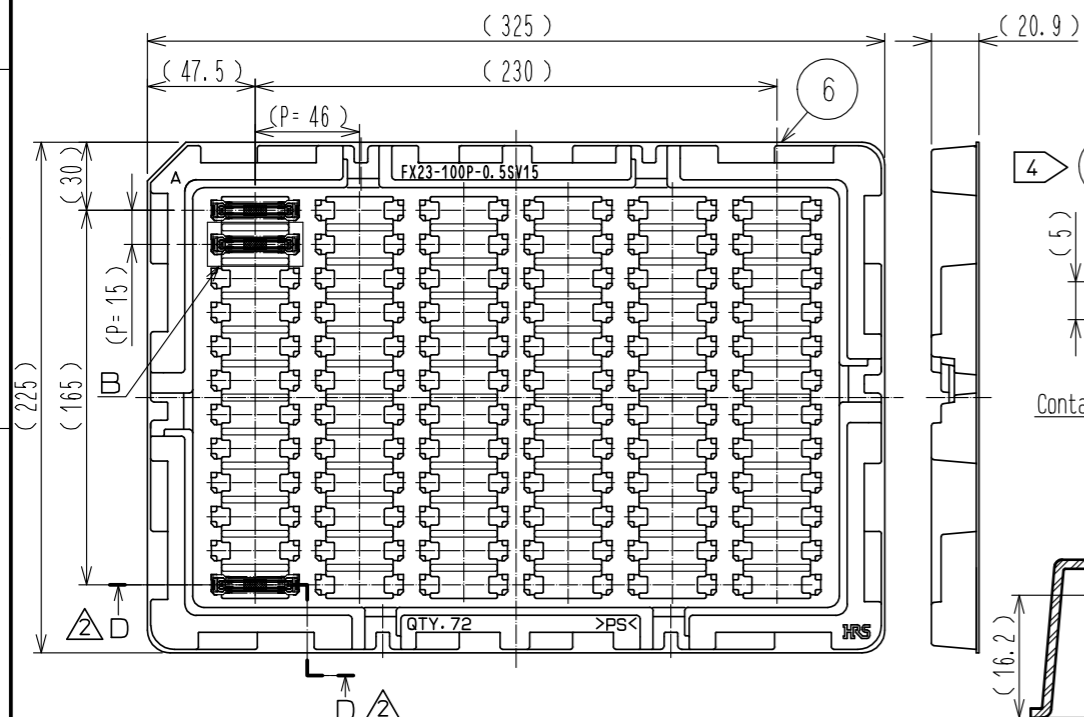
RECOMMENDED LAND PATTERN DIMENSION OF PCB
 △ (PCB THICKNESS: t=1.6mm)



PCB DISTANCE
(No scale)



② DRAWING FOR PACKING (No scale)



- NOTE 1 Lead CO-Planarity is 0.1mm MAX.
 ② This is packaged in tray. (72pcs/tray)
 ③ Floating range of this connector is ±0.6mm MAX.
 △ The maximum cycle time of the floating operation is in accordance with the mating cycle of the connector.
 ④ It shows the vacuum pickup area. Remove the mylar tape before mating connectors.
 5 Blemish and hit mark can be occurred through out the manufacturing process which doesn't affect quality level.
 6 The dimensions in parentheses are for references.
 ⑦ Please use the connectors within the specified PCB distance.

NO.	MATERIAL	FINISH	REMARKS	NO.	MATERIAL	FINISH	REMARKS
3	COPPER ALLOY		CONTACT AREA:GOLD 0.1 μm LEAD AREA:GOLD 0.03 μm UNDER PLATING:NICKEL 1.3 μm	5	BRASS		LEAD AREA:TIN-PLATING 3 μm UNDER PLATING:NICKEL 1 μm
2	POLYAMIDE		BLACK UL94V-0	4	COPPER ALLOY		CONTACT AREA:GOLD 0.1 μm LEAD AREA:TIN-PLATING 1 μm UNDER PLATING:NICKEL 1.3 μm
1	POLYAMIDE		BLACK UL94V-0				

UNITS	SCALE	COUNT	DESCRIPTION OF REVISIONS	DESIGNED	CHECKED	DATE
mm	2:1	4	DIS-F-00001099	TS.00NO	KN.SHIBUYA	16.02.17

APPROVED	CHECKED	DESIGNED	DRAWN	DRAWING NO.	PART NO.	CODE NO.
HS. OKAWA	KN. SHIBUYA	TS. 00NO	TS. 00NO	EDC-353541-00-00	FX23-100P-0.5SV15	CL573-3005-1-00