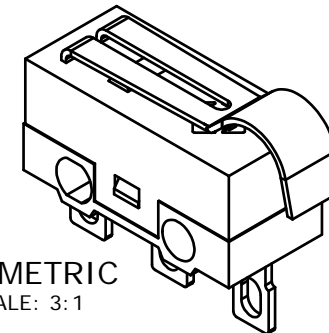
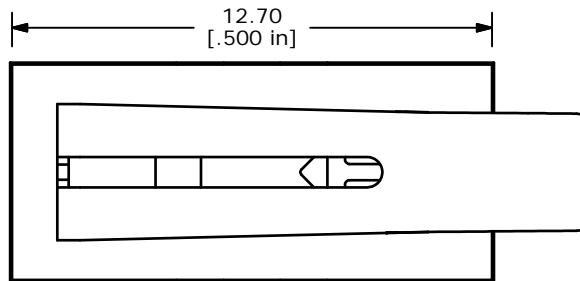
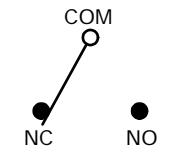


MOUNTING SPECS.



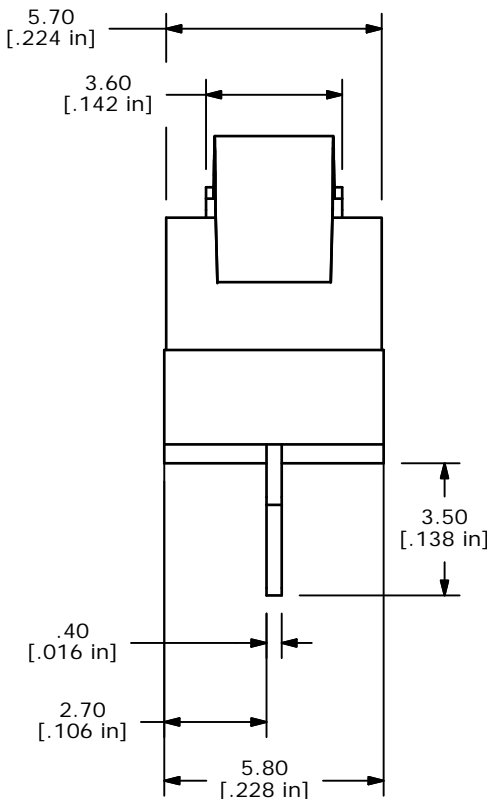
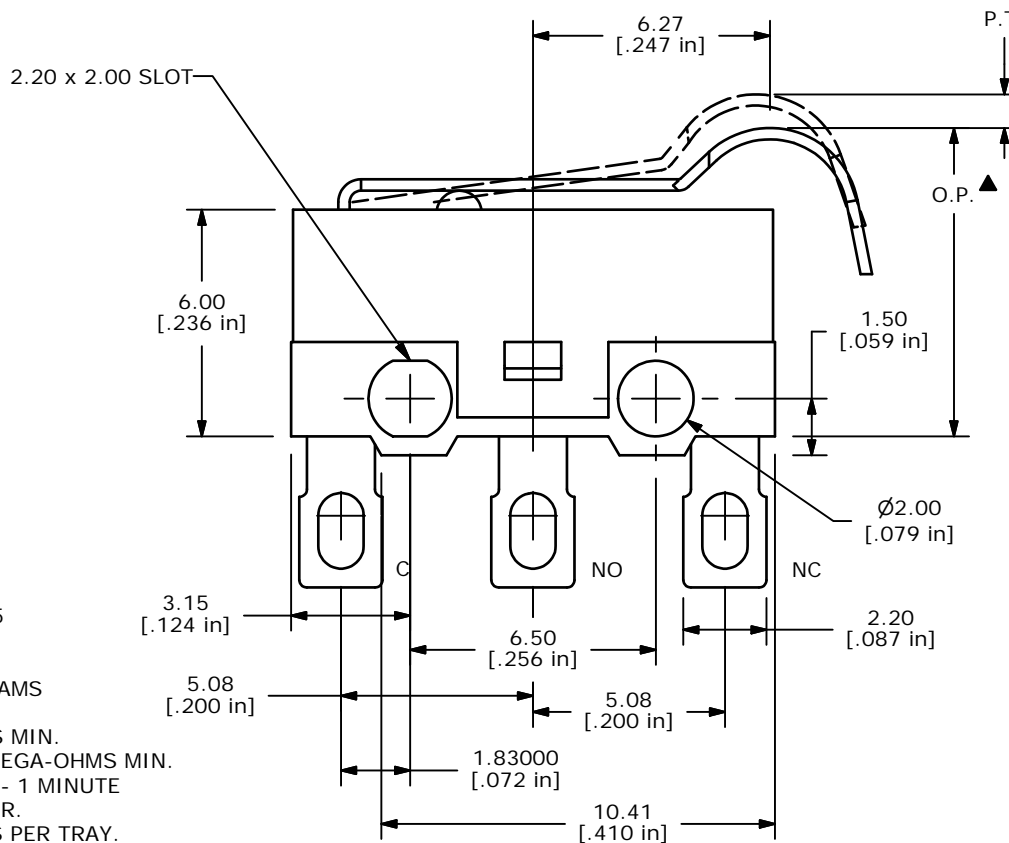
ISOMETRIC
SCALE: 3:1



CIRCUIT: SPDT

O.P. (MM)	P.T. (MM)
9.65 ± 0.8	1.35 MAX.

O.P. = OPERATING POINT
P.T. = PRE-TRAVEL



NOTES:

1. ALL DIMENSIONS IN MM [INCH]
2. GENERAL TOLERANCE: X.X=±0.4
X.XX=±0.25
- ▲3. RATING: 3A @ 125 VAC
1.5A @ 250 VAC UL
4. OPERATING FORCE: 30 TO 55 GRAMS
5. OPERATING TEMP: -25°C TO 75°C
6. ELECTRICAL LIFE: 10,000 CYCLES MIN.
7. INSULATION RESISTANCE: 100 MEGA-OHMS MIN.
8. DIELECTRIC STRENGTH: 500VAC - 1 MINUTE
9. ▲ DENOTES CRITICAL PARAMETER.
10. PACKAGED IN TRAYS, 120 PIECES PER TRAY.
11. 2002/95/EC (ROHS) COMPLIANT

D	20588	FORCED WAS 50+/-10 GRAMS	05/03/12	DRG
C	18157	REMOVE CE APPROVED FROM NOTES	6/24/08	BLR
B	18089	NOTE 10 WAS 1000 PIECES PER BAG	5/9/08	RC
REV	PCR NO	DESCRIPTION	DATE	BY

THE INFORMATION CONTAINED IN THIS DOCUMENT IS PROPRIETARY TO E-SWITCH AND IS NOT TO BE COPIED OR TRANSFERRED



TITLE SS0750303F050S1A

SCALE	DATE	DR	DWG	REV
4:1	6/24/2008	BLR	Q971007	D