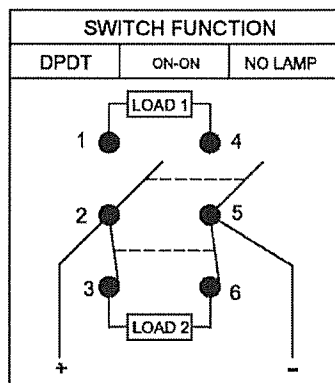


THIS INFORMATION IS CONFIDENTIAL AND PROPRIETARY TO CW INDUSTRIES INCORPORATED AND ITS AFFILIATES. IT MAY NOT BE DISCLOSED TO ANYONE, OTHER THAN CW INDUSTRIES PERSONNEL, WITHOUT WRITTEN AUTHORIZATION FROM CW INDUSTRIES INCORPORATED, SOUTHAMPTON, PENNSYLVANIA USA.



X
Y

PANEL CUT-OUT

	X	Y
1.0~1.5	37.3 ^{+0.0} _{-0.1}	21.2 ^{+0.1} _{-0.0}
2.5~3.0	37.5 ^{+0.0} _{-0.1}	21.2 ^{+0.1} _{-0.0}
3.5~4.5	37.7 ^{+0.0} _{-0.1}	21.2 ^{+0.1} _{-0.0}

SPECIFICATIONS:

Rating: 16(8)A 125/250VAC
25A 12V DC

Function: ON - ON DPDT
Pos 1 Pos 2

Contact Resistance: 20mΩ max. (initial)
Insulation Resistance: 100mΩ min. (at 500V DC)
Dielectric Strength: 1,500V AC 50/60 Hz for 1 minute
Operating Temp.: - 40 ° C To 85 ° C
Service Life: Mechanically: 100,000 operations min.
Electrically: 30,000 operations min.

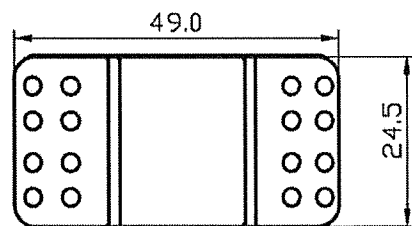
Water Proof: IP 67

Base Color- Gray

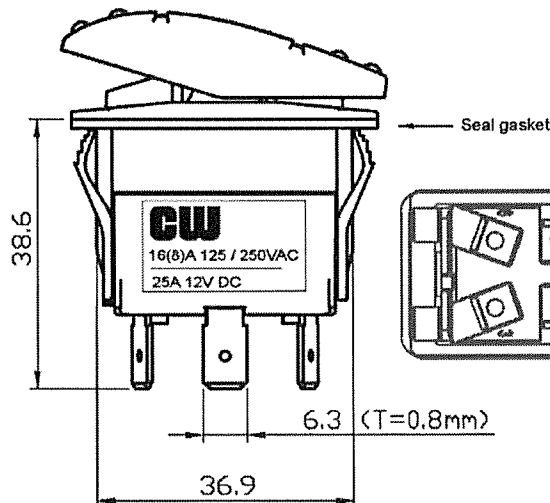
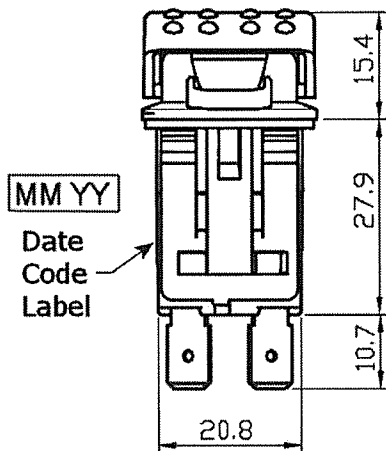
Actuator Color- Black

Insulation Materials: 94V-2 Thermoplastic

Contact Materials: Copper Alloy



POS 1 POS 2



RoHS Compliant

X5 - 224ANN - NABB - 1NNW

CW INDUSTRIES
Southampton, Pa. 18966
Tel 215.355.7080/www.cwind.com

Date Drawn: 3-19-12

Rev. 2

Unit: mm

Checked By: *G. GULD*

2 Redrawn. Added function & panel charts & IP 67 was IP 68. DW 4/03/2018.

Title:
ROCKER SWITCH

CW P/N:
GRB224A2NABA1