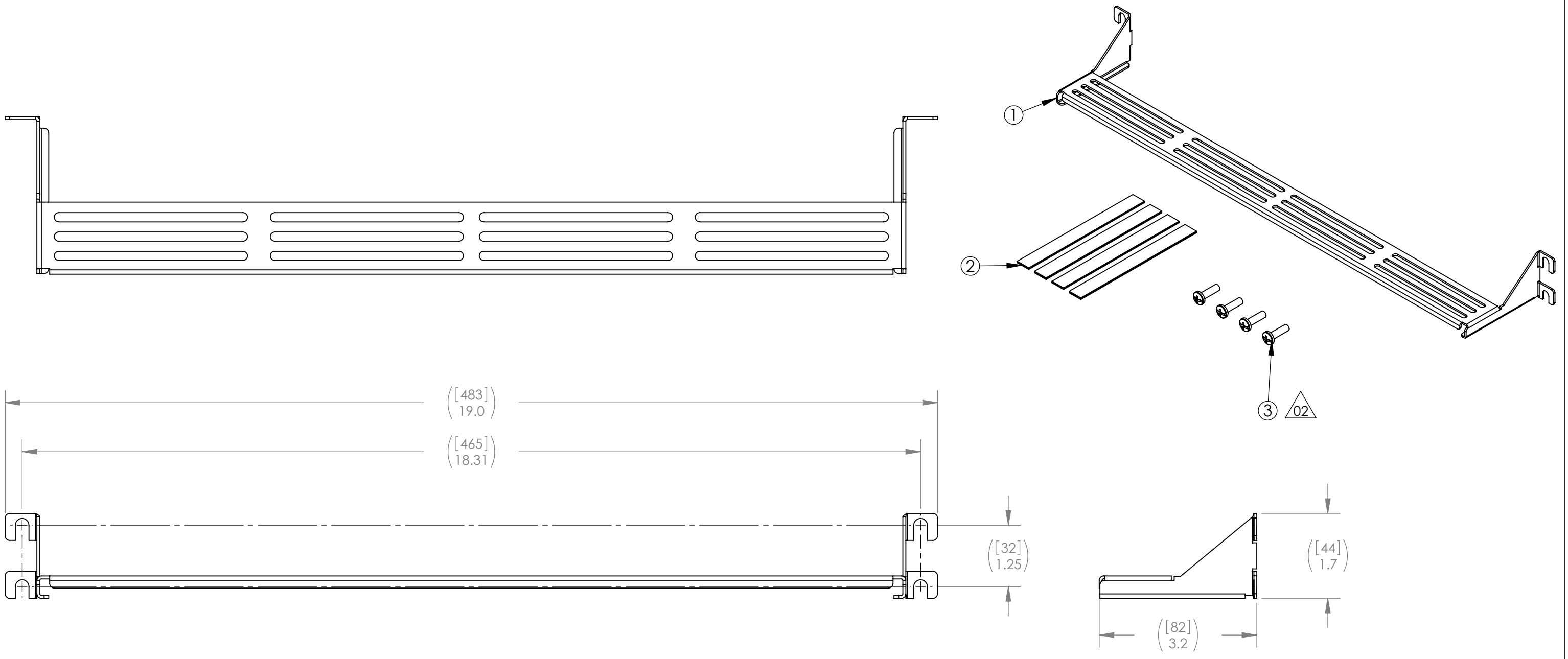


Revision level		Revision Record	Changed	Date	Approved	Date
Drawing	Part					
02	-	SEE ECN# 011216	TJM	08/20/2009	TJM	08/20/2009



ITEM NO.	CUSTOMER/QTY.	DESCRIPTION
1	1	FRONT CABLE MANAGER STAMPING HT DATA EQUIVALENT ROHS COMPLIANT
2	4	GRIP TIE .50" WIDE X 5" LONG BLACK
3	4	PHMS COMBO #12-24 UNC-2A X .750 ALLOY BLACK ZINC

Notes

Material
SEE BOM

Units inches
Dimension without tolerances details to:
.xxxx = ±.0005
.xxx = ±.005
.xx = ±.01
.x = ±.03
None = ±.06
∠ = ±0.5°

The copyright of this drawing is reserved by HellermannTyton. It is issued on condition that it is not reproduced, copied, or disclosed to a third party, either wholly or in part, without the consent of HellermannTyton.

Drawn TJM 08/20/2009
Approved TJM 08/20/2009
HellermannTyton
North America
Email: corp@htamericas.com
Web: www.hellermann.tyton.com

Article/Type-No TFCM
Title FRONT CABLE MANAGER
Drawing-No MI08-049-000CST
Production : Phase
Scale 1:2
Project Number PRP
Format B
Sheet 1/1