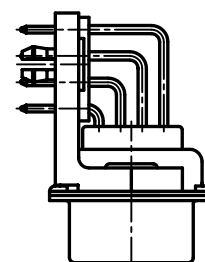
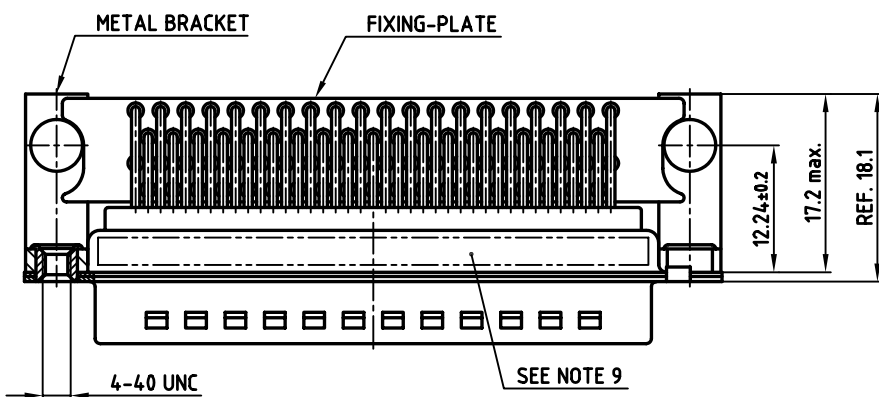
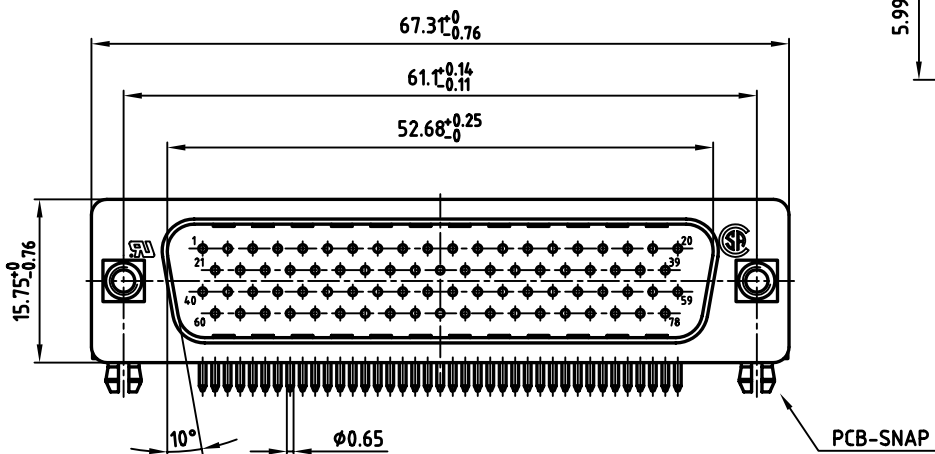
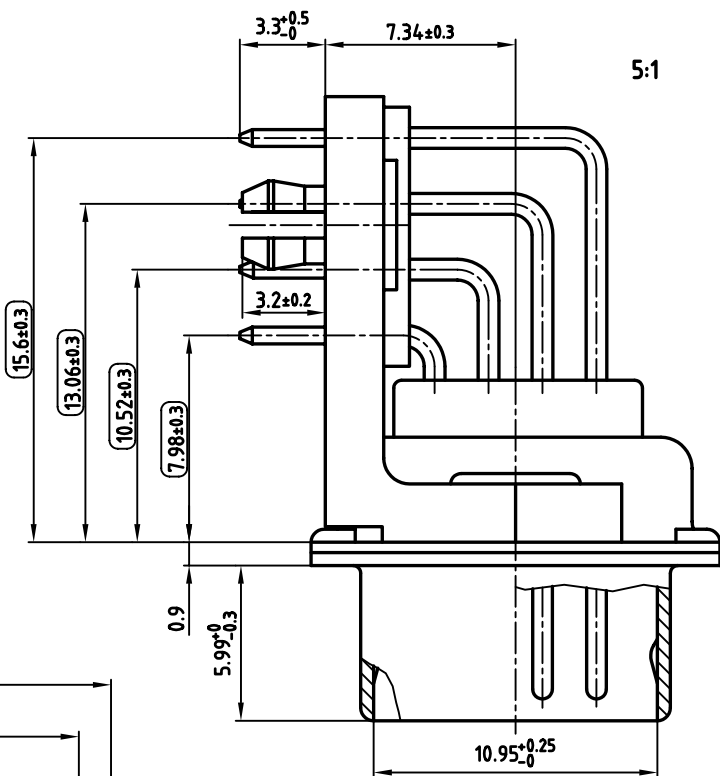


used for: D-SUB HD

NOTES:

1. METALSHELLS: STEEL; min. 320µ" TIN
2. INSULATORS+FIXING-PLATE: PBT GF UL 94 V-0, BLACK
3. CONTACTS: COPPER ALLOY  
PLATING: 8µ" HARD GOLD OVER min. 50µ" NICKEL
4. METAL BRACKET: STEEL; min. 320µ" TIN over 80µ" NICKEL
5. THREADED INSERT: COPPER ALLOY; min. 200µ" TIN over 80µ" NICKEL
6. PCB-SNAP: COPPER ALLOY; min. 200µ" TIN over 80µ" NICKEL  
PCB-HOLE:  $\phi 3.1 \pm 0.1$ ; PCB THICKNESS 1.6mm
7. P.C.B. HOLE DRILLINGS ON SHEET 2
8. MAXIMUM TORQUE VALUE FOR THREAD: 6" LBS
9. CONNECTOR IS PART MARKED: 163A18219X CONEC ABC
10.    = CHECK DIMENSION



Directive 2002/95/EC  
 „RoHS“  
 Compliant

|   |        |
|---|--------|
| APPROVAL * FREIGABE * DEBLOCAGE * AUTORIZACION * APPROVAL |        |
| CUSTOMER APPROVAL DATE:                                   |        |
| NAME:   | TITLE: |
| COMPANY NAME:   |        |
| APPROVAL * FREIGABE * DEBLOCAGE * AUTORIZACION * APPROVAL |        |

THIS DRAWING MAY NOT BE COPIED OR REPRODUCED IN ANY WAY, AND MAY NOT BE PASSED ON TO A THIRD PARTY, WITHOUT WRITTEN PERMISSION.  
 OWNERSHIP AND COPYRIGHT OF CONEC Gmbh  
**DO NOT ALTER CAD DRAWING BY HAND**

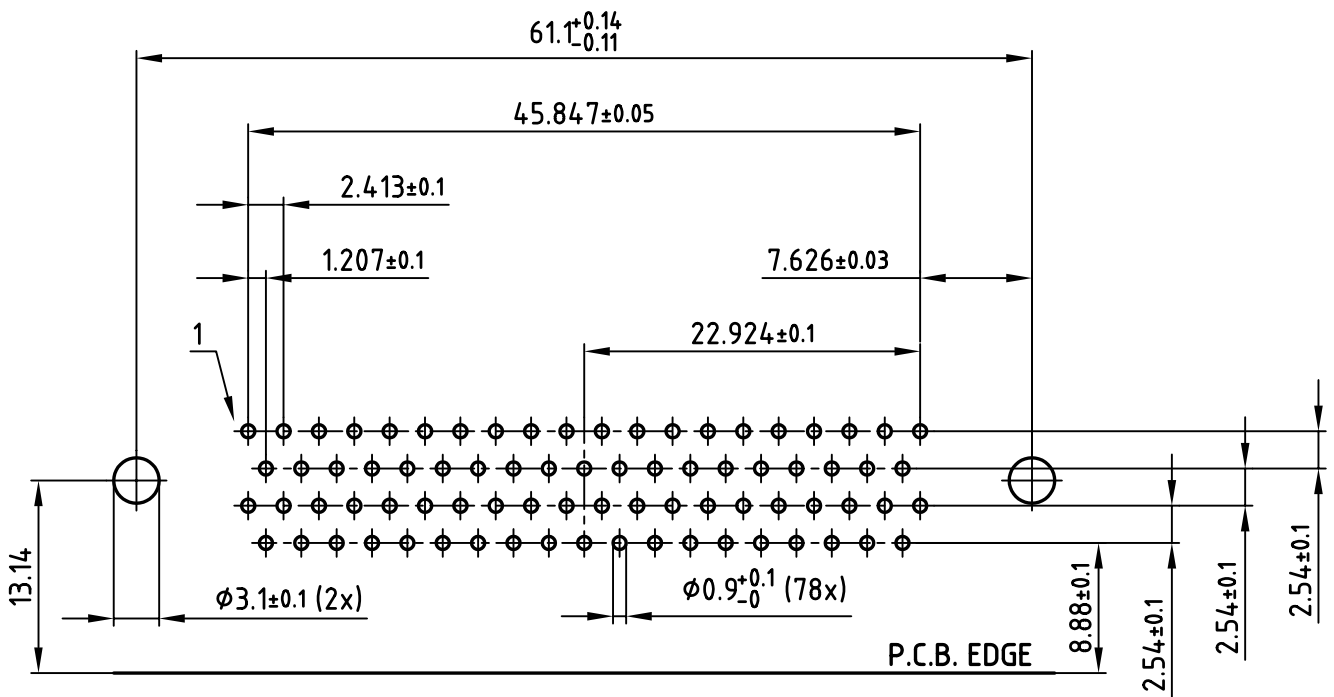
| rev. | description | date | name |
|------|-------------|------|------|
| a    | Origin      |      |      |

|              |        |              |
|--------------|--------|--------------|
| tolerance    |        | dim. in mm   |
| 2006         | date   |              |
| drawn        | 14.02. | name         |
| appd.        | 14.02. | Mickenbecker |
| norm         |        | DIN 41652    |
| d-old        |        |              |
| <b>CONEC</b> |        |              |

|  |              |
|--|--------------|
| scale:   | 2:1 (5:1)    |
| material:  | SEE NOTES    |
| title:   |              |
| <b>D-SUB HD MALE 90°</b>                           |              |
| 78pos. 0.350inch                                   |              |
| threaded insert, metal bracket, fixing-plate, clip |              |
| dwg no:  | AutoCAD 2004 |
| <b>16K2A1029</b>                                   |              |
| part no:   | 163A18219X   |

DIN-A  
 3  
 sh:1/2

used for: D-SUB HD



APPROVAL # FREIGABE # DEBLOCAGE # AUTOR/ZACION # APPROVAL

CUSTOMER APPROVAL DATE:

NAME: TITLE:

COMPANY NAME:

APPROVAL # FREIGABE # DEBLOCAGE # AUTOR/ZACION # APPROVAL

THIS DRAWING MAY NOT BE COPIED OR REPRODUCED IN ANY WAY, AND MAY NOT BE PASSED ON TO A THIRD PARTY WITHOUT WRITTEN PERMISSION. OWNERSHIP AND COPYRIGHT OF CONEC GmbH DO NOT ALTER CAD DRAWING BY HAND

|           |             |              |      |
|-----------|-------------|--------------|------|
| tolerance |             |              |      |
| 2006      | date        | name         |      |
| drawn     | 14.02.      | Lehmenkühler |      |
| appd.     | 14.02.      | Mickenbecker |      |
| norm      | DIN 41652   |              |      |
| d-old     |             |              |      |
| a         | Origin      |              |      |
| rev.      | description | date         | name |



|           |  |
|-----------|--|
| scale:    | 2:1  |
| material: | SEE SHEET 1  |
| title:    | P.C.B. HOLE DRILLINGS<br>D-SUB HD MALE 90° 78pos. 0.350inch<br>threaded insert,metal bracket,fixing-plate,clip |
| dwg no:   | AutoCAD 2004   |
| part no:  | SEE SHEET 1  |

DIN-A  
4  
sh:2/2