
AVR2037: RCB Key Remote Control - Hardware User Manual



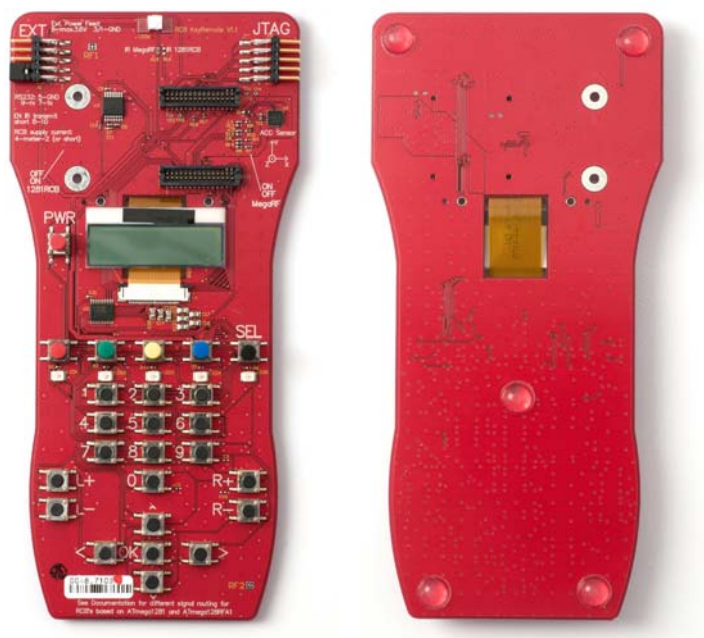
Features

- Connector interface to adapt various radio controller boards (RCB)
- RCB battery powered, hand-held evaluation, and development platform
- 25 keys
- 5 LEDs
- 128 x 32 graphic display
- Analog, three-axis acceleration sensor
- 980nm IR transmitter
- RS232 and JTAG interfaces

1 Introduction

This application note provides a detailed hardware description for the individual function blocks of the RCB Key Remote Control (KeyRemote) board. The KeyRemote is used in conjunction with an Atmel® RCB in order to evaluate remote control applications.

Figure 1-1. RCB Key Remote Control board.



8-bit **AVR**[®]
Microcontrollers

Application Note

Rev. 8356A-AVR-02/11



2 Disclaimer

Typical values contained in this application note are based on simulations and testing of individual examples.

Any information about third-party materials or parts is included in this document for convenience. The vendor may have changed the information since publication. Check the individual part information for the latest changes.

3 Overview

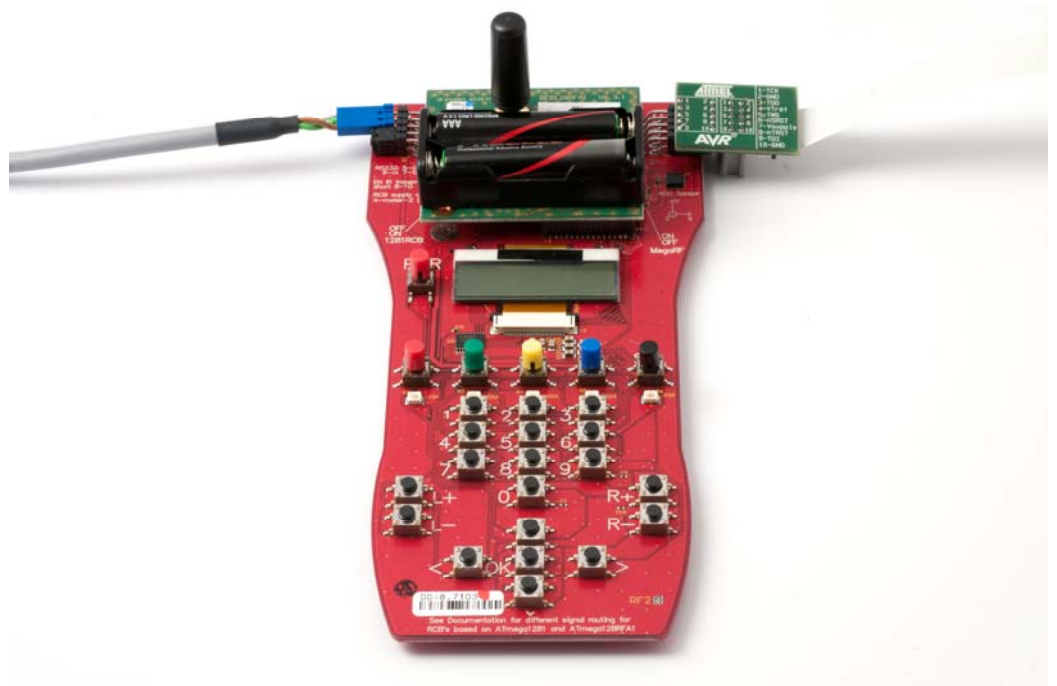
The KeyRemote is a hardware platform used to demonstrate Atmel hardware and software solutions for remote control applications. In combination with one of the various RCBs, the KeyRemote contains all the functional blocks that might be used in state-of-the-art remote controls. Programming and debugging interfaces are provided to support application development.

While the KeyRemote primarily provides the user interface hardware, an appropriate RCB (see [Table 3-1](#)) must be included to provide the microcontroller and radio transceiver functionality:

Table 3-1. RCB configurations.

RCB name	Frequency	Comment
RCB128FA1	2.4GHz	Atmel ATmega128RFA1 single-chip solution [1]
RCB231	2.4GHz	Atmel AT86RF231 [2] with Atmel ATmega1281V [4]
RCB212SMA	868/915MHz	Atmel AT86RF212 [3] with Atmel ATmega1281V [4]

Figure 3-1. KeyRemote with RCB128RFA1, Atmel® AVR® JTAGICE mkII, and serial adaptor cable.



4 Peripheral blocks

The following sections describe the different peripheral blocks of the KeyRemote, and how to configure and use each peripheral accordingly.

4.1 RCB interface

In order to operate the KeyRemote, an appropriate RCB must be selected and mounted on the KeyRemote board. The differences between the RCBs are related to port allocations: the single-chip Atmel ATmega128RFA1 solution does not provide access to ports A and C, and the Atmel ATmega1281V-based dual-chip solutions already use port B to control the radio transceiver. Single-chip and dual-chip boards have a different port signal routing, which is already supported in the software provided. [Table 4-1](#) describes these RCB differences.

Table 4-1. Signaling with different RCBs.

KeyRemote signal	RCB with ATmega1281V	RCB with ATmega128RFA1	Comment
DATA0..7	PORTA0..7	PORTB0..7	Data bus used for the display, the U3 extension port, and the key matrix
LEDP_SEL	PG1	PE5	U3 works transparently when high. and keeps data information after being switched to low level
LCD_#CS1	PG0	PE4	Low to enable the LCD
IR transmitter	PB7 direct from ATmega1281V: R15 has to be assembled (default when delivered)	PB7 through U3: Remove R15 and assemble the same part at R16	Same pin PORTB7, but R15 and R16 have to be assembled in the correct way

4.2 Power supply

The KeyRemote and RCB hardware are both powered by the batteries on the RCB. The power supply switch on the RCB is used to connect or disconnect the battery power supply voltage. In order to use the battery supply, a jumper bridge must be connected at X1 between pin 2 and pin 4, as shown in [Figure 4-1](#).

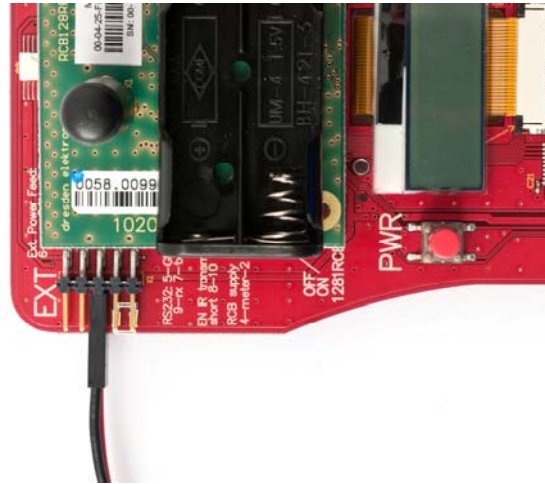
Figure 4-1. X1 battery jumper.



If battery operation is not desired during software development and debug sessions, for example, the setup can also be powered from a lab supply or a regulated DC wall plug transformer. Before an external power supply is used, however, the batteries on the RCB should be removed or the power switch must be placed in the off position. Be sure the external power supply never exceeds 3.6V (see the absolute maximum ratings in [Table 5-1](#)).

[Figure 4-2](#) shows an external power supply connected to X1 on pin 6 (+) and pin 5 (-).

Figure 4-2. X1 external power connection.



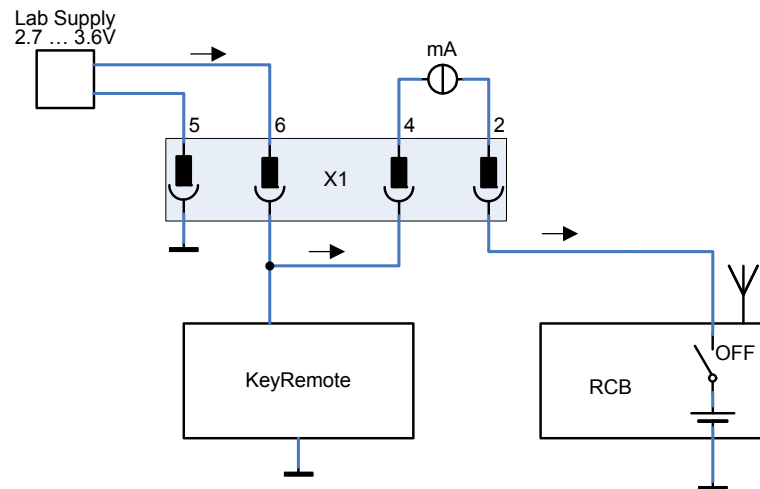
4.2.1 Supply current measurement

The supply current of the RCB and KeyRemote can be measured independently of each other.

The current consumption of the RCB is measured by removing the jumper bridge at X1 pin2/4 and connecting a DC current meter in its place. Also, the batteries should be removed, and the power switch on the RCB needs to be switched off.

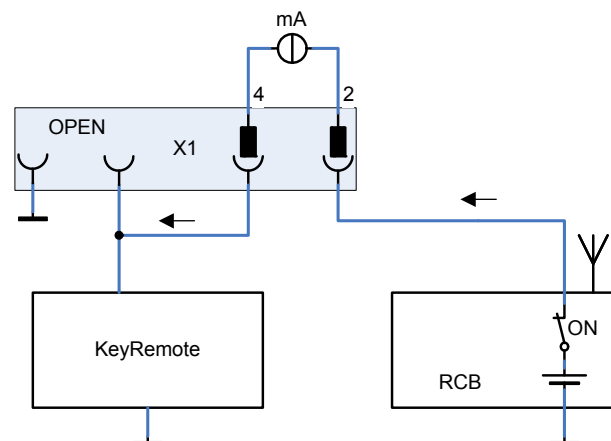
An external power source needs to be connected to pin 6 (+) and pin 5 (-). This can be a lab power supply, a regulated DC wall plug supply, or an external battery (see the recommended operating range in [Table 5-2](#)).

Figure 4-3. RCB supply current measurement.



The current consumption of the KeyRemote peripherals can be measured by removing the jumper bridge at X1 pin2/4 and connecting a DC current meter in its place. In this measurement, the batteries from the RCB will supply the KeyRemote with power.

Figure 4-4. KeyRemote supply current measurement.



4.3 Interfaces

4.3.1 Programming interface

To enable software development and flash programming, an AVR JTAGICE mkII can be connected directly to X2. Although the mechanical construction makes it difficult to connect the ICE incorrectly, be sure to locate the pin 1 marking to avoid any hardware damage.

Programming and debugging requires a KeyRemote with an appropriate supply voltage, either from the RCB battery or directly via X1 (see Section 4.2, page 3).

The AVR JTAGICE mkII interface is provided to program the microcontroller located on the RCB, as the KeyRemote does not provide its own microcontroller.



Figure 4-5. KeyRemote with AVR JTAGICE mkII connected.



4.3.2 LEDs

The five LEDs are controlled by data latch U3, and are controlled simultaneously. The state of each LED has to be applied to its corresponding data line, DATA0...DATA4. A short high pulse (minimum 3.2ns) applied by the microcontroller on signal LEDP_SEL stores the new state in the latch. Start this process by applying a new state to data lines DATA0...DATA4 first, and then pull the LEDP_SEL signal high and low. This signaling cycle avoids spikes on the other lines.

The U3 register state can't be read directly by the microcontroller. Instead, the software must maintain a variable that mirrors the state of U3.

When one LED state is updated, it may be necessary to ensure the signals for the other four LEDs are not changed.

4.3.3 RS232 interface

During software development, the RS232 interface can be a valuable "back door" the developer may use to transmit status and debug messages, as well as to influence the system. A Maxim MAX3221ECAE is used to shift the low-level logic signals to the high signal levels needed to interface properly to a PC.

To enable the RS232 interface, DATA6 needs to be properly configured so the U3 latch device can set bit7 (#EN_232) to logic low. See [Table 4-1](#) and the KeyRemote schematic for detailed information. If the interface is not required, it is recommended to disable the line driver to reduce power consumption.

Figure 4-6. KeyRemote with RS232 cable connected.



Automated power consumption is achieved using the line driver auto-shutoff. This function enables the driver only when a valid RS232 level is detected. As long as the board is not connected to a host, the line driver is automatically disabled. For further information on the Maxim MAX3221ECAE, refer to the datasheet [6].

The connection to a PC COM port with DB9 connector can be done as documented in the Figure 4-7.

Figure 4-7. RS232 cable.

KeyRemote X1 (DTE)		RS232 SUB-D9 (DTE)
9 (RxD) Input		2 (RxD) Input
7 (TxD) Output		3 (TxD) Output
5 (GND) (brown wire)		5 (GND)

4.3.4 128 x 32 graphic display

The onboard display is a COG type with built-in controller and display memory. It accessed only when it is necessary to change the content of the display.

The controller has a high-performance parallel interconnect to the microcontroller on the RCB. Table 4-2 shows the port assignment between display and microcontroller for different types of RCBs.





Table 4-2. Display signaling with different RCBs.

Display signal	RCB with ATmega1281V	RCB with ATmega128RFA1	Comment
DATA0..7	PORTA0..7	PORTB0..7	Data bus
LCD_#CS1	PORTG0	PORTE4	SELECT
LCD_#RES	PORTE2	PORTE2	RESET
LCD_A0	PORTE3	PORTE3	Data / control
LCD_R/W	PORTE6	PORTE6	/WR signal
LCD_E	PORTE7	PORTE7	/RD signal

For further information, refer to the example source code and the manufacturer data sheets for the display [7] and the display internal controller [8].

For best quality display operation, it is required to arbitrate the hardware operation in between the display access and the key input. When more than one key is pressed at the same time, bus contention may occur. The software has to make sure that information is written to the display only when the keys are up or when only one key is pressed. To achieve this, the key interrupt should be enabled during display access.

4.4 Key matrix

The board features 25 keys, configured as a 3-row, 9-column matrix. The three rows are connected to RCBPORTD1/2/3. These lines have full wake up capabilities for the controller.

The columns make use of data lines DATA0 ... DATA6 and PORTD5/7. These signals have an alternate function to control additional hardware on the KeyRemote board (see sections 4.3.2 and 4.3.4).

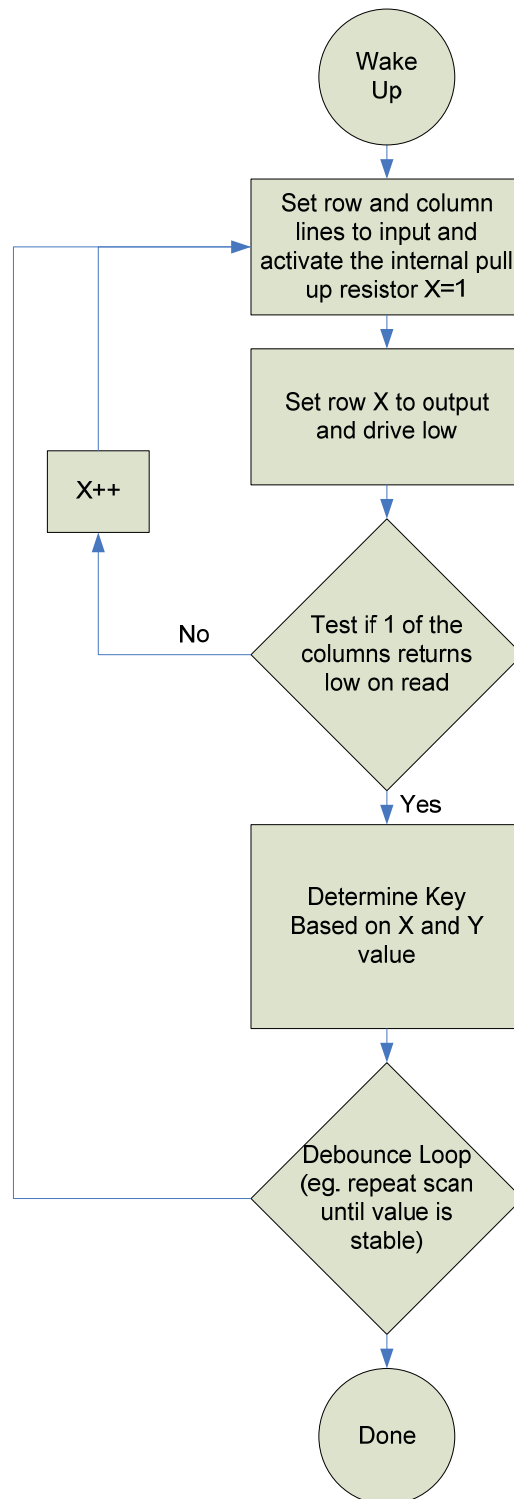
It is recommended to have the KeyRemote in SLEEP mode to reduce power consumption as long as no activity is required. However, key activity recognition has to be ensured to wake up the KeyRemote, if needed.

To prepare the system for SLEEP and to ensure key recognition, follow the steps below:

1. Disable hardware not required (RS232, acceleration sensor, display, etc.) to reduce power consumption during SLEEP mode
2. Set LEDP_SEL to low (DATA lines are now used for key recognition)
3. Set DDRD1/2/3 to input
4. Set PORTD1/2/3 high to activate the internal pull-up resistors. (The pull-up resistors will keep the signal level at these pins high until a key is pressed)
5. Configure lines DATA0 ... DATA6 and PORTD5/7 as outputs, and set each to low level. (The low on the column lines will pull the row line down as soon as a key is pressed)
6. Enable the low level interrupt for PORTD1/2/3
7. Enter sleep mode

After doing this, and once a key is pressed later on, the system will wake up. The software performs a scan routine, as shown in Figure 4-8, to process the key entry.

Figure 4-8. Key scan algorithm.

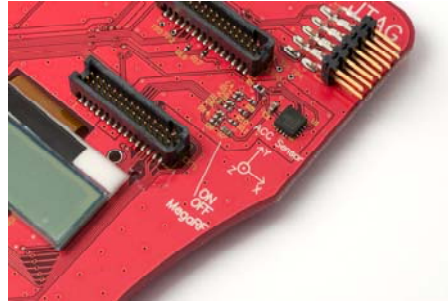


4.5 Acceleration sensor

In addition to the interfaces described above, the KeyRemote integrates an analog acceleration sensor, U1 [9]. This type of sensor can be used for pointing at menu driven screens, or to recognize gestures. Due to gravitational acceleration, the system can easily determine how a user holds or moves the device.

The orientation of the three axes is illustrated on the PCB (see [Figure 4-9](#)).

Figure 4-9. Three-axis acceleration sensor.



The analog outputs are connected to the analog-to-digital converter (ADC) of the RCB microcontroller. X_{out} is connected to PF0-ADC0. Y_{out} is connected to PF1-ADC1. Z_{out} is connected to PF2-ADC2.

For zero G, the sensor output equals half the supply voltage. A resistor network divides the voltages within the RCB controller measurement range. Since the sensor output values depend on the supply voltage, a fourth channel is implemented to measure the sensor supply to correct for supply voltage variations. The voltage divider implements a 25% decrease, and is connected to PF3-ADC3 of the microcontroller.

The resistor network also implements capacitors to set the acceleration sensor bandwidth. Depending on the application scenario, the sensor bandwidth can be adjusted by setting the capacitor values.

To enable low-power applications, the sensor can be powered down with the controlling signal, ACC_PWR. It corresponds to bit 6 (DATA5) of latch U3. Please refer to [Section 4.3](#) for details on how to set these control lines.

4.6 IR transmitter

The KeyRemote features a 950nm infrared transmitter (IR LED) on top of the PCB, LED6. This is the standard operating infrared wavelength used in remote controls for electronic devices or appliances. To enable the IR LED, a jumper has to be placed at connector X1 to short pins 8 and 10.

The IR LED is connected to controller port PB7. This port has to be used because it is the output compare modulator output. Please refer to the AVR datasheet for more information.

If using the KeyRemote assembled with the RCB128RFA1 [5] featuring the single-chip ATmega128RFA1, latch U3 has to be configured for transparent mode by setting LEDP_SEL to high level.

For operation with ATmega1281V-based RCBs, the resistor assembled on R15 must be removed and mounted as R16. By doing this, the IR LED is driven directly from the ATmega1281V pin.

5 Electrical characteristics

5.1 Absolute maximum ratings

Stresses beyond those listed under absolute maximum ratings (see [Table 5-1](#)) may cause permanent damage to the board. This is a stress rating only, and functional operation of the device at these or any other conditions beyond those indicated in the operational sections of this manual are not implied. Exposure to absolute maximum rating conditions for extended periods may affect device reliability. For more details about these parameters, refer to individual datasheets of the components used.

Table 5-1. Absolute maximum ratings.

No.	Parameter	Condition	Minimum	Typical	Maximum	Units
5.1.1	Storage temperature range		-40		+85	°C
5.1.2	Humidity	Non-condensing			90	%
5.1.3	Supply voltage		-0.3		+3.6	V
5.1.4	Maximum input supply current	Sum over all power pins			0.5	A

5.2 Recommended operating range

Table 5-2. Recommended operating range.

No.	Parameter	Condition	Minimum	Typical	Maximum	Units
5.2.1	Temperature range		-10		+60	°C
5.2.2	Supply voltage		1.8	3.0	3.6	V

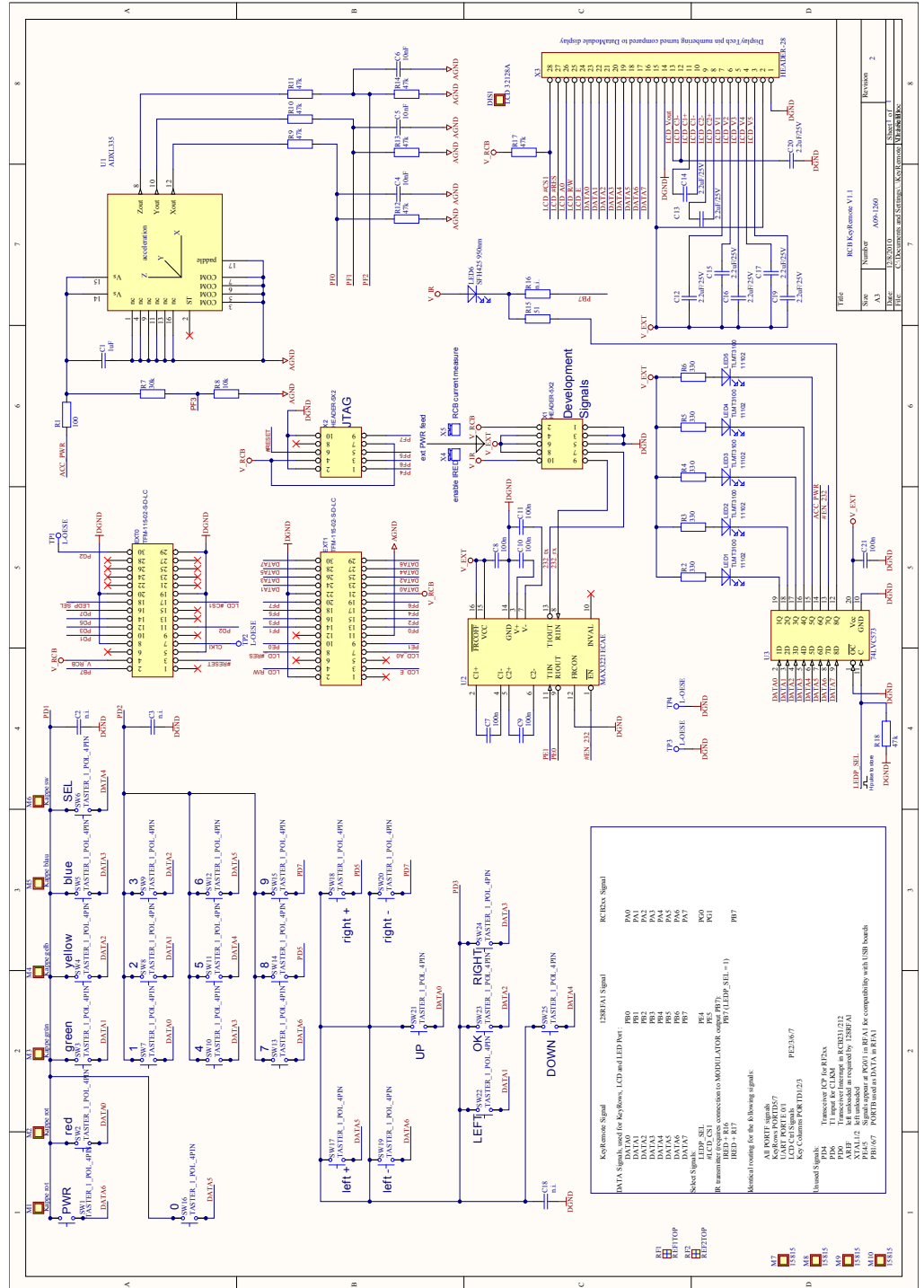


6 Abbreviations

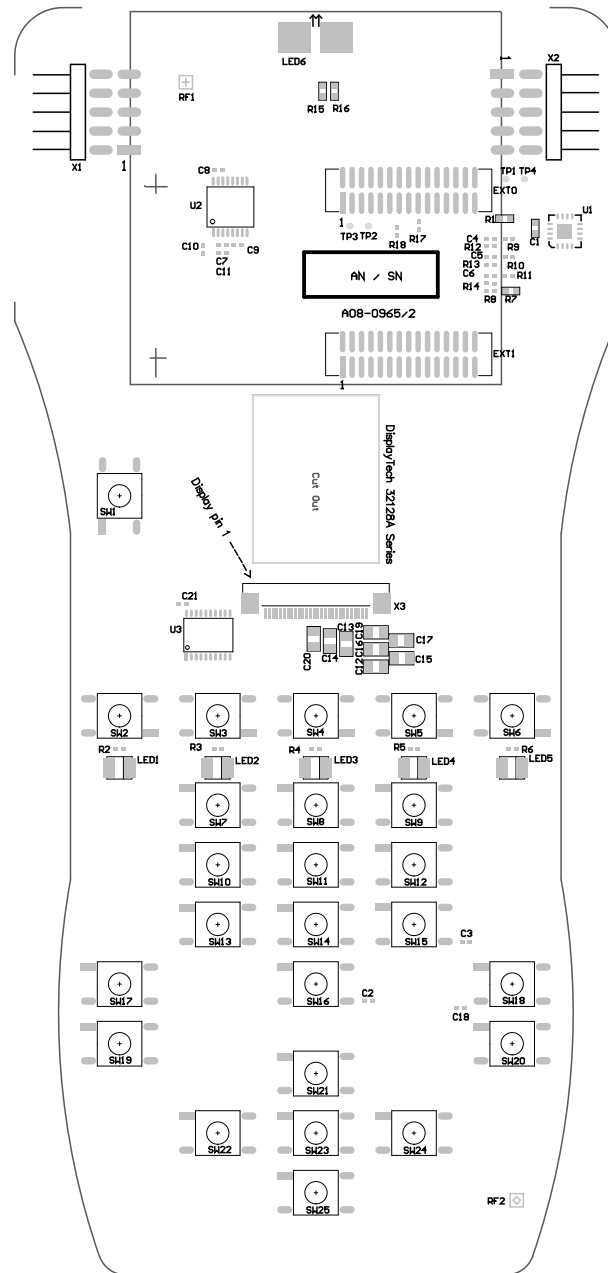
ADC	-	Analog to digital converter
COG	-	Chip on glass
IR	-	Infra Red
LED	-	Light Emitting Diode
PCB	-	Printed Circuit Board
RCB	-	Radio Controller Board

Appendix A - PCB design data

A.1 Schematic



A.2 Assembly drawing



A.3 Bill of materials

Table A-1. Bill of materials.

Qty.	Designator	Description	Footprint	Manufacturer#	Manufacturer	Comment
1	C1	Capacitor	0603H0.8			1 μ F
3	C2, C3, C18	Capacitor	0402A			n.i.
3	C4, C5, C6	Capacitor	0402A			10nF
6	C7, C8, C9, C10, C11, C21	Capacitor	0402A			100nF
8	C12, C13, C14, C15, C16, C17, C19, C20	Capacitor	0805			2.2 μ F/25V
1	DIS1	Key head, round, black		32128A-FA-BW	DisplayTech	LCD 32128A
2	EXT0, EXT1	Header, 15x2-pol.	TFM-115-02	TFM-115-02-S-D-LC	Samtec	TFM-115-02-S-D-LC
5	LED1, LED2, LED3, LED4, LED5	LED red	LED_PLCC-2	TLMT3100	Vishay	TLMT3100
1	LED6	LED IR	SFH425			SFH425 950nm
2	M1, M2	Key head, round, red			APEM	Cap red
1	M3	Key head, round, green			APEM	Cap green
1	M4	Key head, round, yellow			APEM	Cap yellow
1	M5	Key head, round, blue			APEM	Cap blue
1	M6	Key head, round, black			APEM	Cap black
4	M7, M8, M9, M10	Rubber feet, 10x3.5mm, clear				Rubber feet
1	R1	Resistor	0603H0.4			100 Ω
5	R2, R3, R4, R5, R6	Resistor	0402A			330 Ω
1	R7	Resistor	0603H0.4			30k Ω
1	R8	Resistor	0402A			10k Ω
8	R9, R10, R11, R12, R13, R14, R17, R18	Resistor	0402A			47k Ω
1	R15	Resistor	0603H0.4			51 Ω
1	R16	Resistor	0603H0.4			n.i.
2	RF1, RF2		REF1TOP, REF2TOP			REF1TOP, REF2TOP
6	SW1, SW2, SW3, SW4, SW5, SW6	Switch	SW_Farnell177-807	DTSM644R	APEM	SWITCH_1_POL _4PIN



Qty.	Designator	Description	Footprint	Manufacturer#	Manufacturer	Comment
19	SW7, SW8, SW9, SW10, SW11, SW12, SW13, SW14, SW15, SW16, SW17, SW18, SW19, SW20, SW21, SW22, SW23, SW24, SW25	Switch	SW_Farnell177-807	4-1437565-1	Tyco	SWITCH_1_POL _4PIN
4	TP1, TP2, TP3, TP4	Solder/test point	TP_05			L-OESE
1	U1		LFCSP-16	ADXL335BCPZ	Analog Devices	ADXL335
1	U2	RS-232 receiver, auto- shutdown	SSOP-16/0.65			MAX3221ECAE
1	U3	OCTAL D-TYPE TRANSPARENT LCH 3SO	TSSOP-20	74LVC573APW	Philips	74LVC573
2	X1, X2	Header, 5x2-pol.	TSM105_2x5pin _ang	TSM105-01-L- DH	Samtec	HEADER-5X2
1	X3	Header, 28-pol.	HD_FFC_FPC0,50 _28pol	52435-2872	Molex	HEADER-28
2	X4, X5	Shorts two contacts				Jumper, 100mil

EVALUATION BOARD/KIT IMPORTANT NOTICE

This evaluation board/kit is intended for use for **FURTHER ENGINEERING, DEVELOPMENT, DEMONSTRATION, OR EVALUATION PURPOSES ONLY**. It is not a finished product, and may not (yet) comply with some or any technical or legal requirements that are applicable to finished products, including, without limitation, directives regarding electromagnetic compatibility, recycling (WEEE), FCC, CE, or UL (except as may be otherwise noted on the board/kit). Atmel supplied this board/kit "AS IS," without any warranties, with all faults, at the buyer's and further users' sole risk. The user assumes all responsibility and liability for proper and safe handling of the goods. Further, the user indemnifies Atmel from all claims arising from the handling or use of the goods. Due to the open construction of the product, it is the user's responsibility to take any and all appropriate precautions with regard to electrostatic discharge and any other technical or legal concerns.

EXCEPT TO THE EXTENT OF THE INDEMNITY SET FORTH ABOVE, NEITHER USER NOR ATMEL SHALL BE LIABLE TO EACH OTHER FOR ANY INDIRECT, SPECIAL, INCIDENTAL, OR CONSEQUENTIAL DAMAGES.

No license is granted under any patent right or other intellectual property right of Atmel covering or relating to any machine, process, or combination in which such Atmel products or services might be or are used.

Mailing Address: Atmel Corporation, 2325 Orchard Parkway, San Jose, CA 95131
Copyright © 2009, Atmel Corporation.





References

- [1] Atmel ATmega128RFA1; 8-bit Microcontroller with Low Power 2.4GHz Transceiver for ZigBee and IEEE 802.15.4; Datasheet, Rev A; 12/09; Atmel Corporation
- [2] Atmel AT86RF231; Low Power 2.4 GHz Transceiver for ZigBee, IEEE 802.15.4, 6LoWPAN, RF4CE, SP100, WirelessHART, and ISM Applications, Datasheet; Rev C; 09/09; Atmel Corporation
- [3] Atmel AT86RF212; Low Power 2.4 GHz Transceiver for ZigBee, IEEE 802.15.4, 6LoWPAN, RF4CE, SP100, WirelessHART, and ISM Applications; Datasheet; Rev C; 02/10; Atmel Corporation
- [4] Atmel ATmega1281V; 8-bit Microcontroller with 64K/128K/256K Bytes In-System Programmable Flash; Datasheet; Rev M; 09/10; Atmel Corporation
- [5] Atmel AVR2044; RCB128RFA1 - Hardware User Manual; Schematic Drawing; Layout Drawing; Atmel Corporation
- [6] MAXIM MAX3221ECAE; ± 15 kV ESD-Protected, 1 μ A, 3.0V to 5.5V, 250kbps, RS-232 Transceivers with AutoShutdown; Datasheet; Rev 6; 9/05; MAXIM Semiconductor
- [7] Displaytech 32128A; LCD module; Datasheet; Rev 1.0; 3/06; Displaytech Ltd.
- [8] Sitronix ST7565V; 65 x 132 Dot Matrix LCD Controller/Driver; Datasheet; Ver 1.5b; 2009/09/14
- [9] Analog Devices ADXL335; Small, Low Power, 3-Axis ± 3 G Accelerometer; Datasheet; Rev B; 1/10

7 Table of contents

Features	1
1 Introduction	1
2 Disclaimer	2
3 Overview	2
4 Peripheral blocks	3
4.1 RCB interface	3
4.2 Power supply	3
4.2.1 Supply current measurement	4
4.3 Interfaces	5
4.3.1 Programming interface	5
4.3.2 LEDs	6
4.3.3 RS232 interface	6
4.3.4 128 x 32 graphic display	7
4.4 Key matrix	8
4.5 Acceleration sensor	10
4.6 IR transmitter	10
5 Electrical characteristics	11
5.1 Absolute maximum ratings	11
5.2 Recommended operating range	11
6 Abbreviations	12
Appendix A - PCB design data	13
A.1 Schematic	13
A.2 Assembly drawing	14
A.3 Bill of materials	15
EVALUATION BOARD/KIT IMPORTANT NOTICE	17
References	18
7 Table of contents	19



Atmel Corporation
2325 Orchard Parkway
San Jose, CA 95131
USA
Tel: (+1)(408) 441-0311
Fax: (+1)(408) 487-2600
www.atmel.com

Atmel Asia Limited
Unit 01-5 & 16, 19F
BEA Tower, Millennium City 5
418 Kwun Tong Road
Kwun Tong, Kowloon
HONG KONG
Tel: (+852) 2245-6100
Fax: (+852) 2722-1369

Atmel Munich GmbH
Business Campus
Parking 4
D-85748 Garching b. Munich
GERMANY
Tel: (+49) 89-31970-0
Fax: (+49) 89-3194621

Atmel Japan
9F, Tonetsu Shinkawa Bldg.
1-24-8 Shinkawa
Chou-ku, Tokyo 104-0033
JAPAN
Tel: (+81) 3523-3551
Fax: (+81) 3523-7581

© 2011 Atmel Corporation. All rights reserved. / Rev.: CORP0XXXX

Atmel®, Atmel logo and combinations thereof, AVR®, AVR® logo and others are registered trademarks of Atmel Corporation or its subsidiaries. Other terms and product names may be trademarks of others.

Disclaimer: The information in this document is provided in connection with Atmel products. No license, express or implied, by estoppel or otherwise, to any intellectual property right is granted by this document or in connection with the sale of Atmel products. **EXCEPT AS SET FORTH IN THE ATMEL TERMS AND CONDITIONS OF SALES LOCATED ON THE ATMEL WEBSITE, ATMEL ASSUMES NO LIABILITY WHATSOEVER AND DISCLAIMS ANY EXPRESS, IMPLIED OR STATUTORY WARRANTY RELATING TO ITS PRODUCTS INCLUDING, BUT NOT LIMITED TO, THE IMPLIED WARRANTY OF MERCHANTABILITY, FITNESS FOR A PARTICULAR PURPOSE, OR NON-INFRINGEMENT. IN NO EVENT SHALL ATMEL BE LIABLE FOR ANY DIRECT, INDIRECT, CONSEQUENTIAL, PUNITIVE, SPECIAL OR INCIDENTAL DAMAGES (INCLUDING, WITHOUT LIMITATION, DAMAGES FOR LOSS AND PROFITS, BUSINESS INTERRUPTION, OR LOSS OF INFORMATION) ARISING OUT OF THE USE OR INABILITY TO USE THIS DOCUMENT, EVEN IF ATMEL HAS BEEN ADVISED OF THE POSSIBILITY OF SUCH DAMAGES.** Atmel makes no representations or warranties with respect to the accuracy or completeness of the contents of this document and reserves the right to make changes to specifications and product descriptions at any time without notice. Atmel does not make any commitment to update the information contained herein. Unless specifically provided otherwise, Atmel products are not suitable for, and shall not be used in, automotive applications. Atmel products are not intended, authorized, or warranted for use as components in applications intended to support or sustain life.