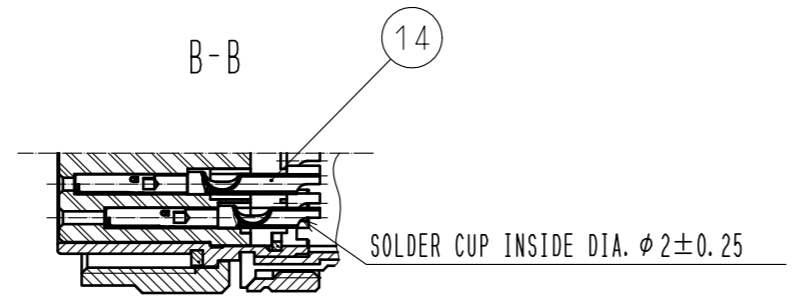
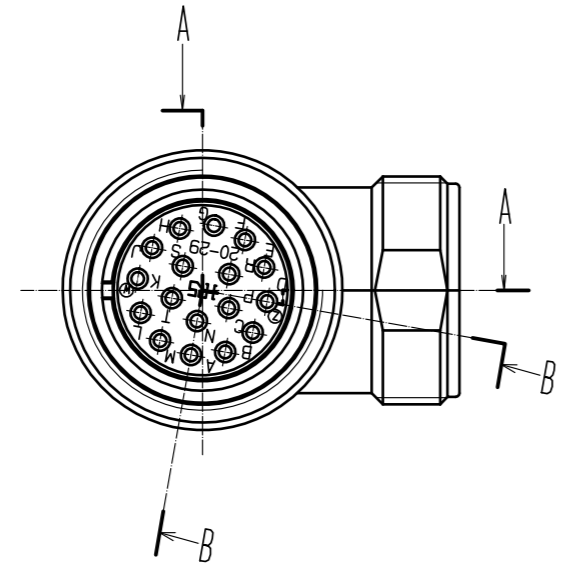
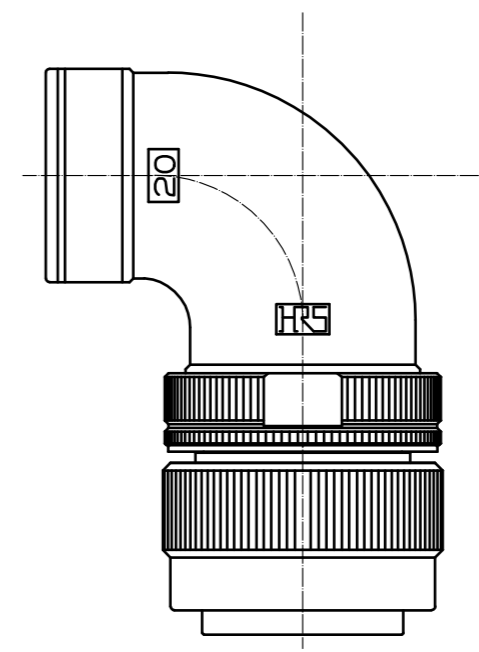
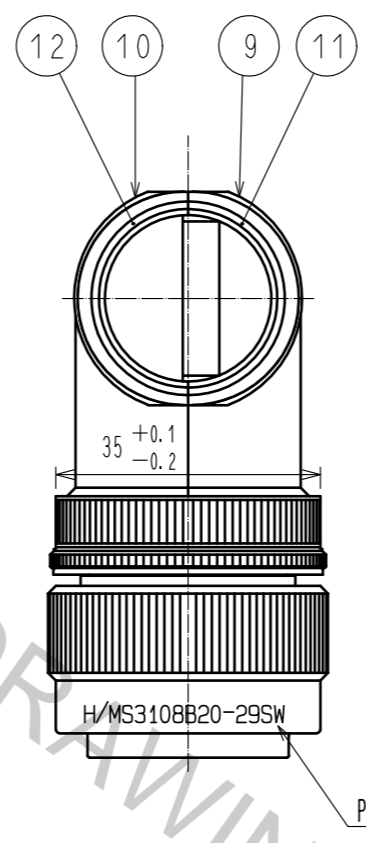
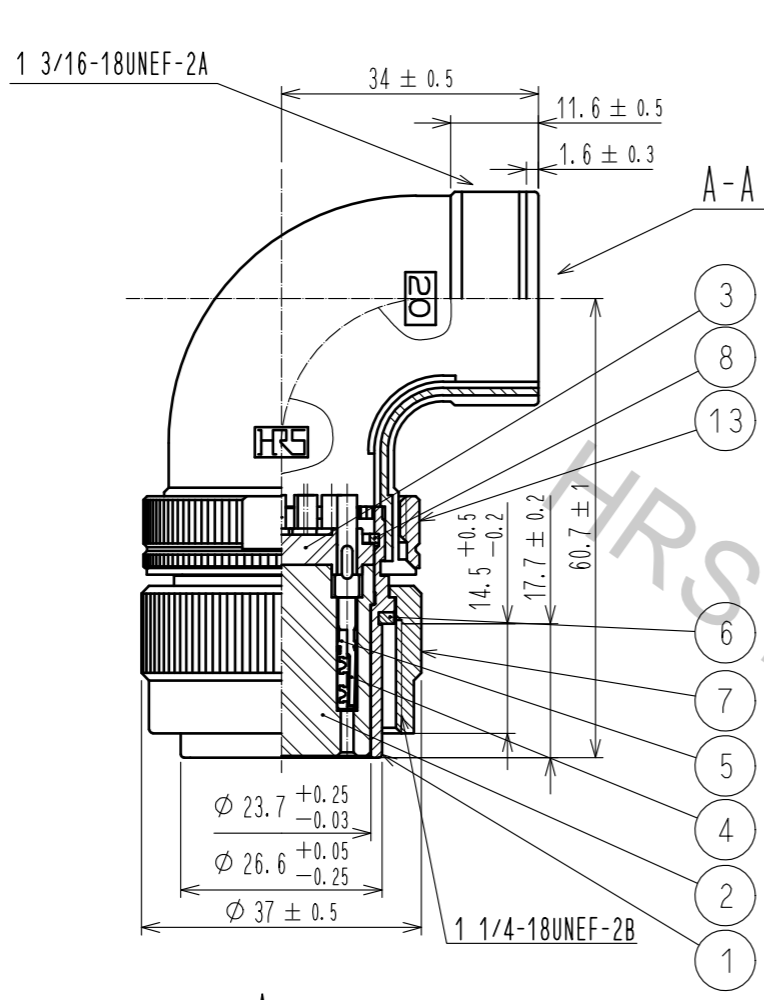


Aug.1.2018 Copyright 2018 HIROSE ELECTRIC CO., LTD. All Rights Reserved.
 In case that the application demands a high level of reliability, such as automotive,
 please contact a company representative for further information.



PART NO. MARKING

NOTE 1 ONE EXAMPLE OF THE ROTATION OF REF. NO. ⑨, ⑩ AND ⑬ TO REF. NO. ① IS SHOWN.

NO.	MATERIAL	FINISH . REMARKS	NO.	MATERIAL	FINISH . REMARKS
7	ALUMINUM ALLOY	BLACK CHROMATE TREATMENT (TRIVALENT CHROMIUM)	14	COPPER ALLOY	SILVER PLATING 2 μm min.
6	SILICONE RUBBER	(BLACK)	13	ALUMINUM ALLOY	BLACK CHROMATE TREATMENT (TRIVALENT CHROMIUM)
5	STAINLESS STEEL		12	ACRYLONITRILE BUTADIENE RUBBER	(BLACK)
4	COPPER ALLOY	SILVER PLATING 2 μm min.	11	ACRYLONITRILE BUTADIENE RUBBER	(BLACK)
3	POLYBUTYLENE TEREOHTHALATE	(BLACK) UL94V-0	10	ZINC ALLOY	BLACK CHROMATE TREATMENT (TRIVALENT CHROMIUM)
2	POLYBUTYLENE TEREOHTHALATE	(BLACK) UL94V-0	9	ZINC ALLOY	BLACK CHROMATE TREATMENT (TRIVALENT CHROMIUM)
1	ALUMINUM ALLOY	BLACK CHROMATE TREATMENT (TRIVALENT CHROMIUM)	8	PHOSPHOR BRONZE	NICKEL PLATING

UNITS	SCALE	COUNT	DESCRIPTION OF REVISIONS	DESIGNED	CHECKED	DATE
mm	1 : 1	△	APPROVED : HY. KOBAYASHI 18.02.22			
			CHECKED : HY. KOBAYASHI 18.02.22			
			DESIGNED : HY. KISHI 18.02.22			
			DRAWN : MK. INOUE 18.02.08			

DRAWING NO.	PART NO.	CODE NO.
EDC-046662-34-00	H/MS3108B20-29SW(34)	CL120-0711-1-34