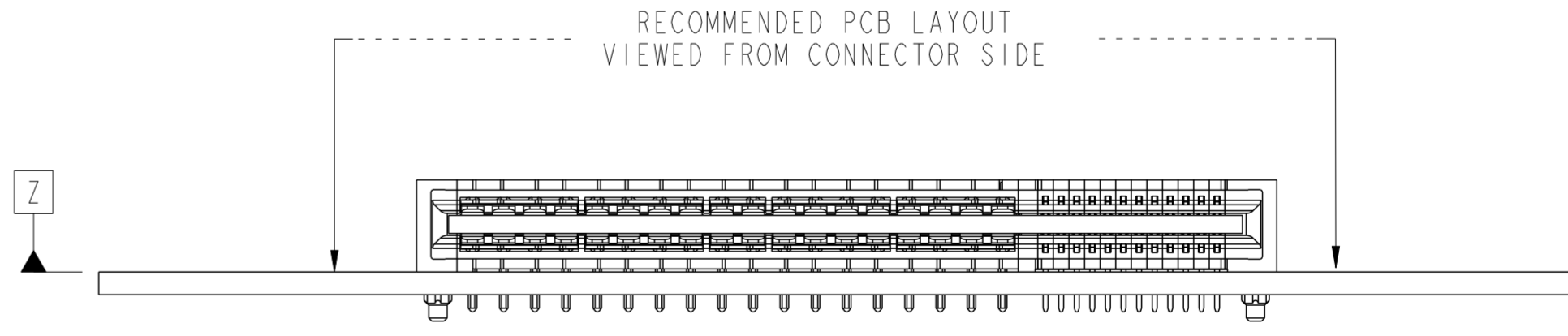
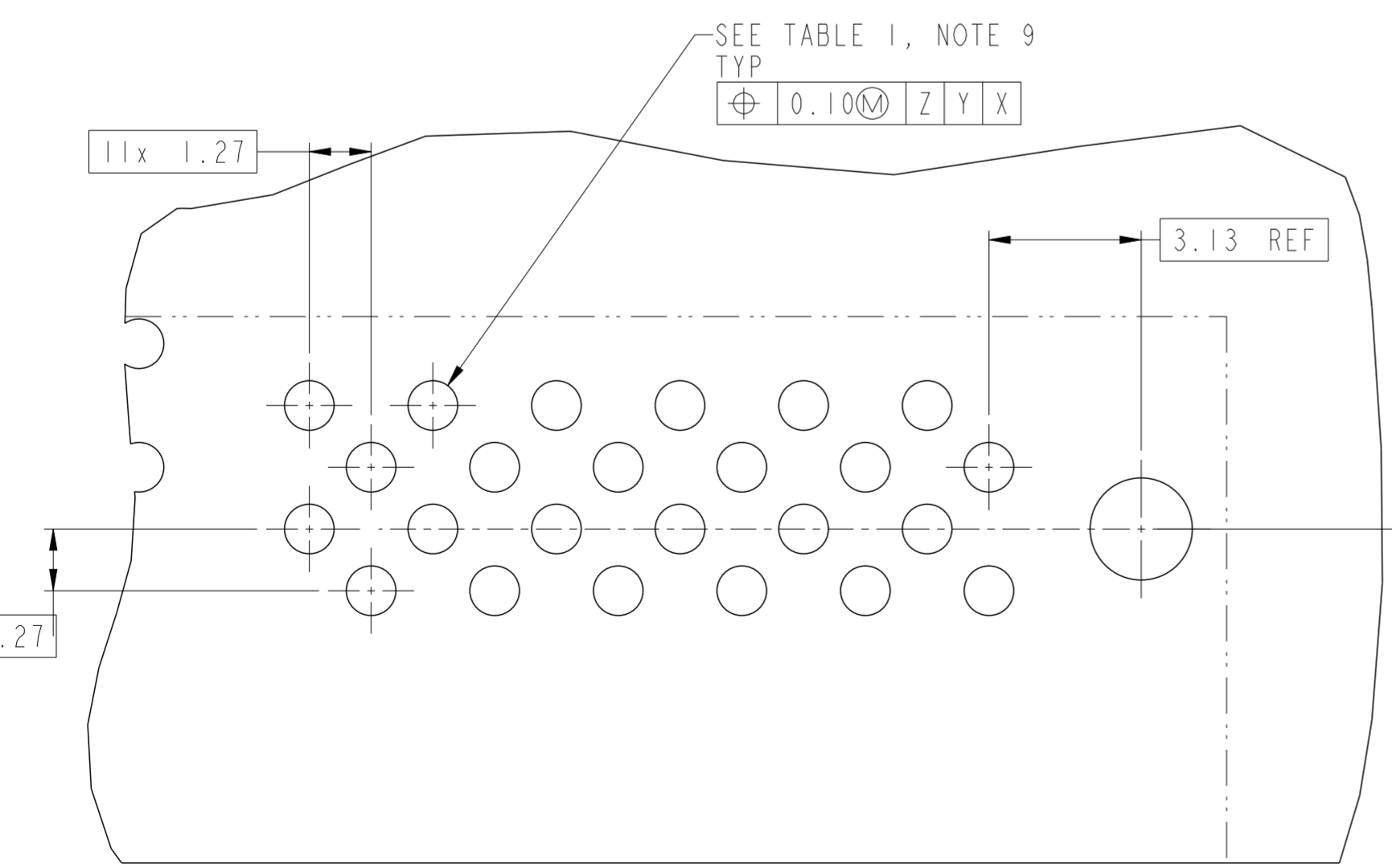
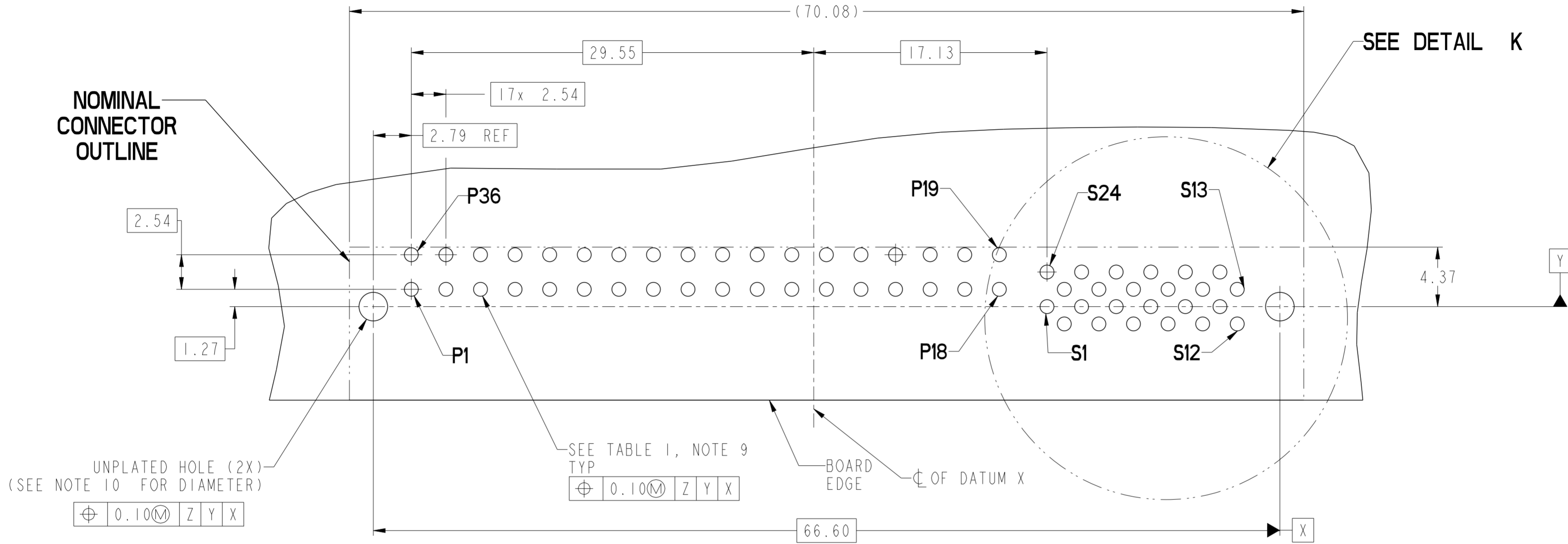


spec ref	-	dr	Jackie Huang	2014/05/19	projection	MM	size	A2	scale	4:1	
tolerance std	ASME Y14.5	eng	Jackie Huang	2015/02/05			ecn no	ELX-DG-19719-1			
TOLERANCES UNLESS OTHERWISE SPECIFIED		chr	-	appr			Pei-Ming Zheng	2015/02/05	product family	HPCE	rel level
surface	ASME Y14.5	linear	0.X	±0.5	0.XX	±0.25	0.XXX	±0.10	angular	0°	±2°
SECTION A-A		SECTION B-B				<b>R/A RECT (36P-24S)</b> HIGH POWER CARD EDGE		dwg no 10130248	rev B	Product - Customer Draw sheet 1 of 4	

Copyright FCI. FCI

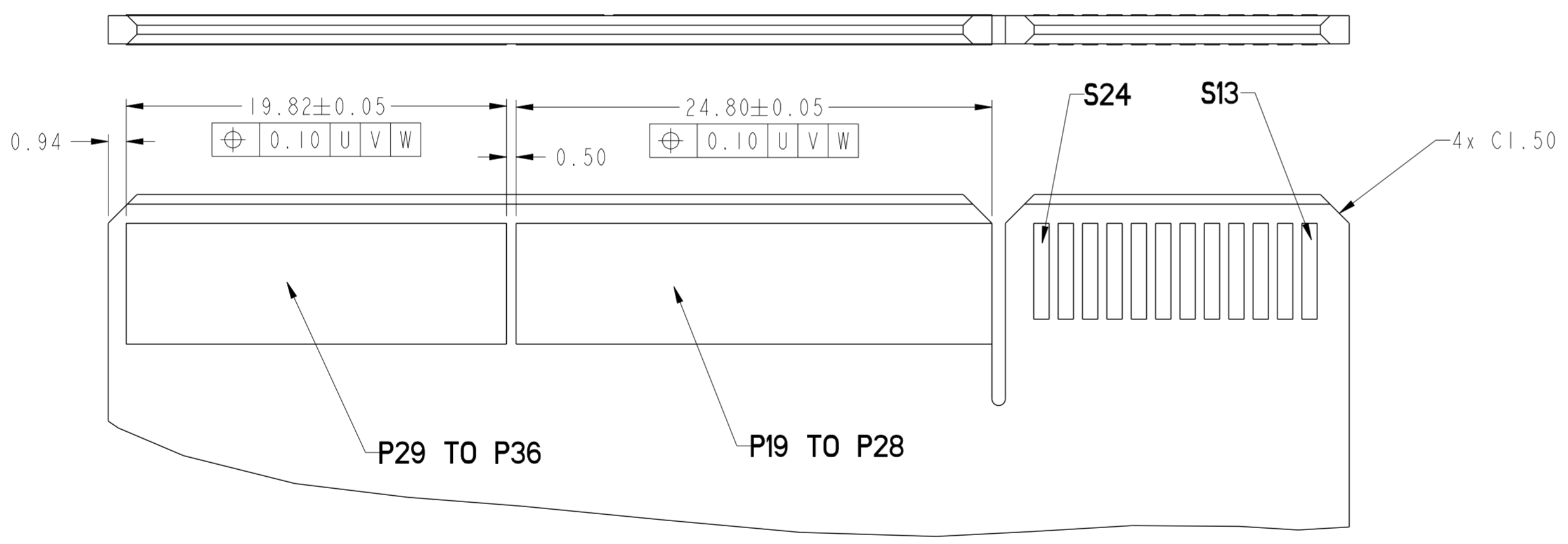
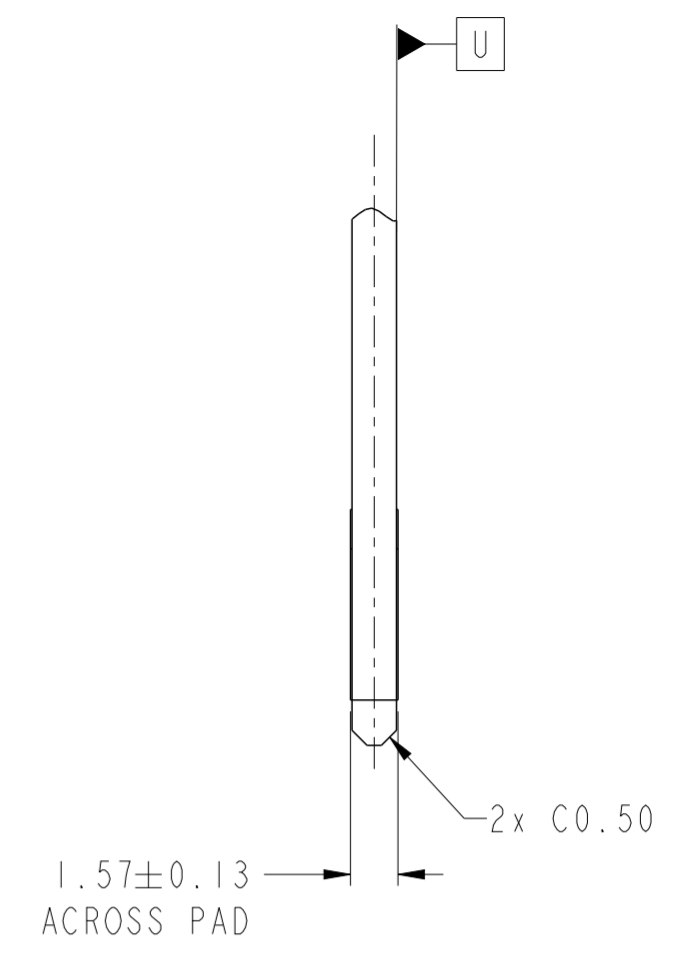
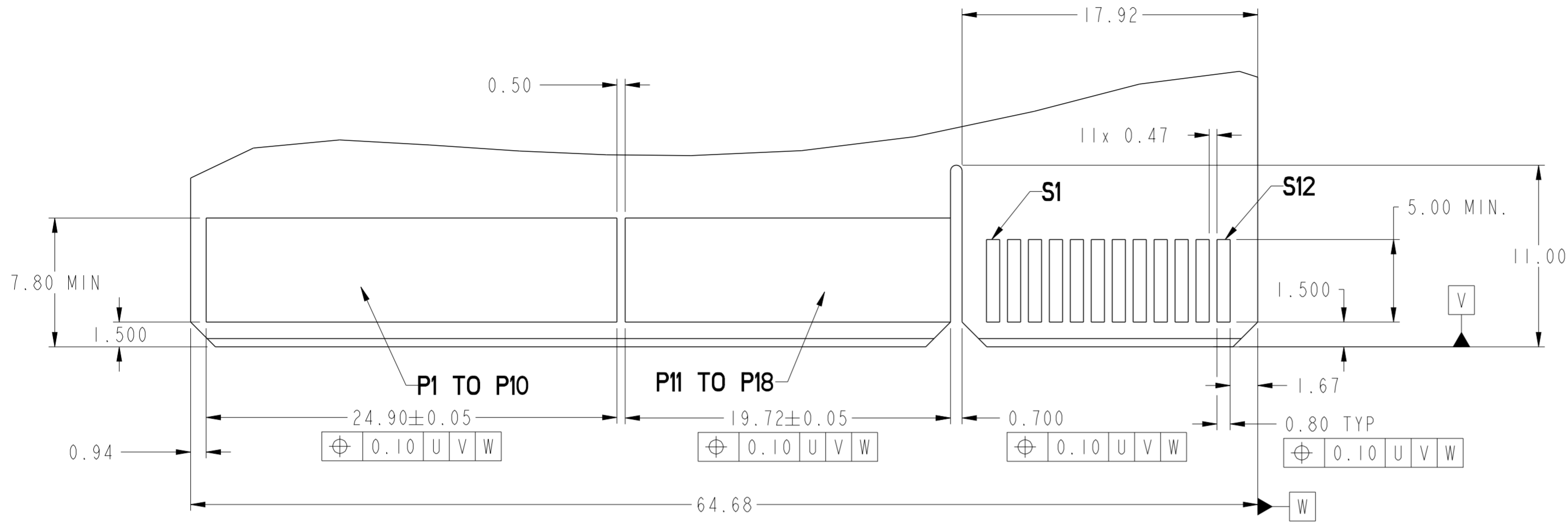
CONTACT TYPE	TOP LAYER DESCRIPTION	TABLE 1 (HPCE / SOLDER TAILS) PLATED THROUGH-HOLE REQUIREMENTS				
		DRILLED HOLE DIAMETER	COPPER THICKNESS	TIN-LEAD THICKNESS	TIN THICKNESS	FINISHED HOLE DIAMETER
POWER & SIGNAL	TIN-LEAD	1.10-1.16 (1.15 DRILL)	0.025 - 0.050	0.005 - 0.015	--	0.94 - 1.10
	IMMERSION TIN	1.10-1.16 (1.15 DRILL)	0.025 - 0.050	--	0.9 - 1.5um	0.94 - 1.10
	COPPER (SEE NOTE 8)	1.10-1.16 (1.15 DRILL)	0.025 - 0.050	--	--	0.94 - 1.10



**DETAIL K**  
**SCALE 8:1**

spec ref	-	dr	Jackie Huang	2014/05/19	projection	MM	size	A2	scale	4:1
tolerance std	ASME Y14.5	eng	Jackie Huang	2015/02/05			ecn no	ELX-DG-19719-1		
TOLERANCES UNLESS OTHERWISE SPECIFIED		chr	-	appr			Pei-Ming Zheng	2015/02/05	product family	HPCE
surface	linear	0.X	±0.5		<b>R/A RECT (36P-24S)</b> <b>HIGH POWER CARD EDGE</b>		cat. no.	10130248		
	0.XX	±0.25	Product - Customer Drw				sheet 2 of 4			
	0.XXX	±0.10								
ASME Y14.5	angular	0°	±2°	www.fci.com	PDS: Rev :B	STATUS:Released	Printed: Feb 06, 2015			

Copyright FCI. FCI



**REFERENCE  
PANDEMONIUM POWER SUPPLY BOARD**

spec ref	-	dr	Jackie Huang	2014/05/19	projection	MM	size	A2	scale	4:1	
tolerance std	ASME Y14.5	eng	Jackie Huang	2015/02/05			ecn no	ELX-DG-19719-1			
TOLERANCES UNLESS OTHERWISE SPECIFIED		chr	-	appr			Pai-Ming Zheng	2015/02/05	product family	HPCE	rel level
surface	ASME Y14.5	linear	0.X	±0.5	0.XX	±0.25	0.XXX	±0.10	angular	0°	±2°
www.fci.com				<b>R/A RECT (36P-24S)</b> HIGH POWER CARD EDGE		cat. no.	-	Product - Customer Drw	sheet 3 of 4	rev	B

PDS: Rev :B

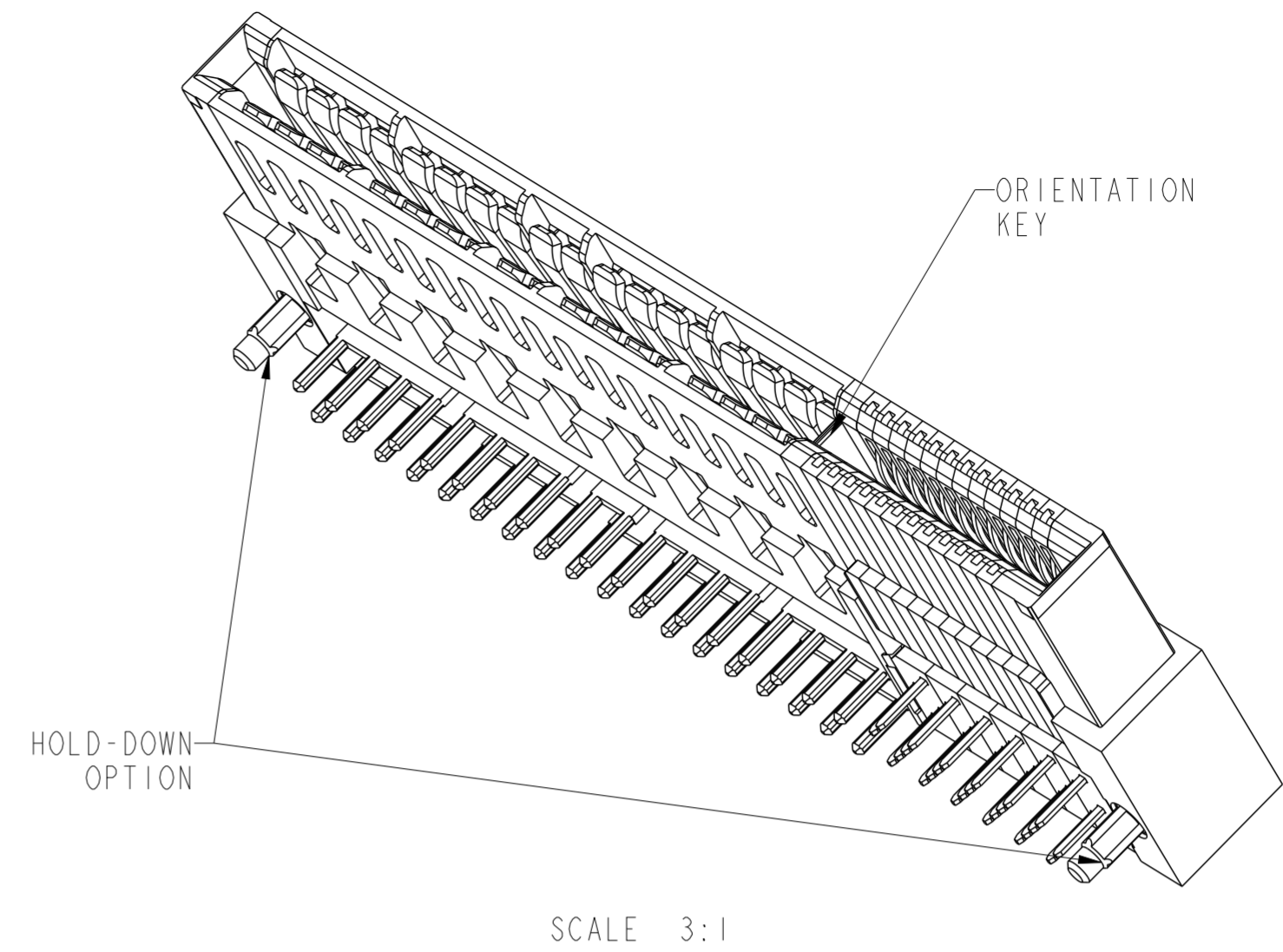
STATUS:Released

Printed: Feb 06, 2015

Copyright FCI.  
FCI

HPCE PART NUMBER (TABLE 2)

PART NUMBER	TAIL TYPE	ORIENTATION KEY	HOLD-DOWN OPTION	DIM T TAIL LENGTH ±0.25
10130248-001LF	SOLDER TAIL	YES	YES	2.60
10130248-002LF	SOLDER TAIL	NO	YES	2.60
10130248-003LF	SOLDER TAIL	NO	NO	2.60
10130248-004LF	SOLDER TAIL	YES	NO	2.60
10130248-005LF	SOLDER TAIL	YES	YES	3.25
10130248-006LF	SOLDER TAIL	NO	YES	3.25
10130248-007LF	SOLDER TAIL	NO	NO	3.25
10130248-008LF	SOLDER TAIL	YES	NO	3.25
10130248-009LF <sup>△</sup> <sub>B</sub>	SOLDER TAIL	YES	YES	4.05
10130248-010LF <sup>△</sup> <sub>B</sub>	SOLDER TAIL	NO	YES	4.05
10130248-011LF <sup>△</sup> <sub>B</sub>	SOLDER TAIL	NO	NO	4.05
10130248-012LF <sup>△</sup> <sub>B</sub>	SOLDER TAIL	YES	NO	4.05
10130248-013LF <sup>△</sup> <sub>B</sub>	SOLDER TAIL	YES	YES	4.85
10130248-014LF <sup>△</sup> <sub>B</sub>	SOLDER TAIL	NO	YES	4.85
10130248-015LF <sup>△</sup> <sub>B</sub>	SOLDER TAIL	NO	NO	4.85
10130248-016LF <sup>△</sup> <sub>B</sub>	SOLDER TAIL	YES	NO	4.85



SCALE 3:1

NOTES:

- CONNECTOR MATERIALS:  
HOUSING: HIGH TEMPERATURE THERMAL PLASTIC, BLACK  
UL 94V-0 COMPLIANT  
CONTACTS: HIGH PERFORMANCE COPPER ALLOY.
- CONTACT FINISH REF. GS-12-604 SECTION 5.2.
- PRODUCT SPECIFICATION: GS-12-604.
- APPLICATION SPECIFICATION: GS-20-128.
- PRODUCT MARKING (FCI - PART NUMBER & DATE CODE) ON HOUSING IN AREA SHOWN.
- PACKAGING MEETS FCI SPECIFICATION GS-14-937.
- HOUSING COMPONENT WILL WITHSTAND EXPOSURE TO 260°C PEAK TEMPERATURE FOR 60 SECONDS IN A CONVECTION, INFRA-RED, OR VAPOR PHASE REFLOW OVEN.
- COPPER PLATING THICKNESS IN CENTER OF VIA-HOLE CAN BE NO MORE THAN 0.003 LESS THAN OTHER AREAS.
- ALL HOLE SIZES ARE FINISHED HOLE SIZES.
- MOUNTING HOLES ARE UNPLATED  
 $\varnothing$  2.10 +/- 0.1 FOR SOLDER TAILS  
<sup>△</sup><sub>B</sub>  $\varnothing$  2.18 +/- 0.03 FOR LOW PLASTIC PEG INSERTION FORCE
- A <sup>△</sup><sub>B</sub> SYMBOL WILL BE NEXT TO ANY DIMENSION, VIEW OR NOTE WHICH HAS BEEN MODIFIED WITH THE CURRENT DRAWING VERSION.

spec ref	-	dr	Jackie Huang	2014/05/19	projection	MM	size	A2	scale	4:1																		
tolerance std	ASME Y14.5	eng	Jackie Huang	2015/02/05			ecn no	ELX-DG-19719-1	rel level	Released																		
TOLERANCES UNLESS OTHERWISE SPECIFIED		chr	-	appr							Pei-Ming Zheng	2015/02/05	product family	HPCE														
surface	<table border="1"> <tr> <td>linear</td> <td>0.X</td> <td>±0.5</td> </tr> <tr> <td></td> <td>0.XX</td> <td>±0.25</td> </tr> <tr> <td></td> <td>0.XXX</td> <td>±0.10</td> </tr> <tr> <td>angular</td> <td>0°</td> <td>±2°</td> </tr> </table>	linear	0.X	±0.5		0.XX	±0.25		0.XXX	±0.10	angular	0°	±2°			<table border="1"> <tr> <td>title</td> <td>R/A RECT (36P-24S)</td> <td>dwg no</td> <td>10130248</td> <td>rev</td> <td>B</td> </tr> <tr> <td>ASME Y14.5</td> <td></td> <td>www.fci.com</td> <td>cat. no.</td> <td>Product - Customer Drw</td> <td>sheet 4 of 4</td> </tr> </table>	title	R/A RECT (36P-24S)	dwg no	10130248	rev	B	ASME Y14.5		www.fci.com	cat. no.	Product - Customer Drw	sheet 4 of 4
linear	0.X	±0.5																										
	0.XX	±0.25																										
	0.XXX	±0.10																										
angular	0°	±2°																										
title	R/A RECT (36P-24S)	dwg no	10130248	rev	B																							
ASME Y14.5		www.fci.com	cat. no.	Product - Customer Drw	sheet 4 of 4																							