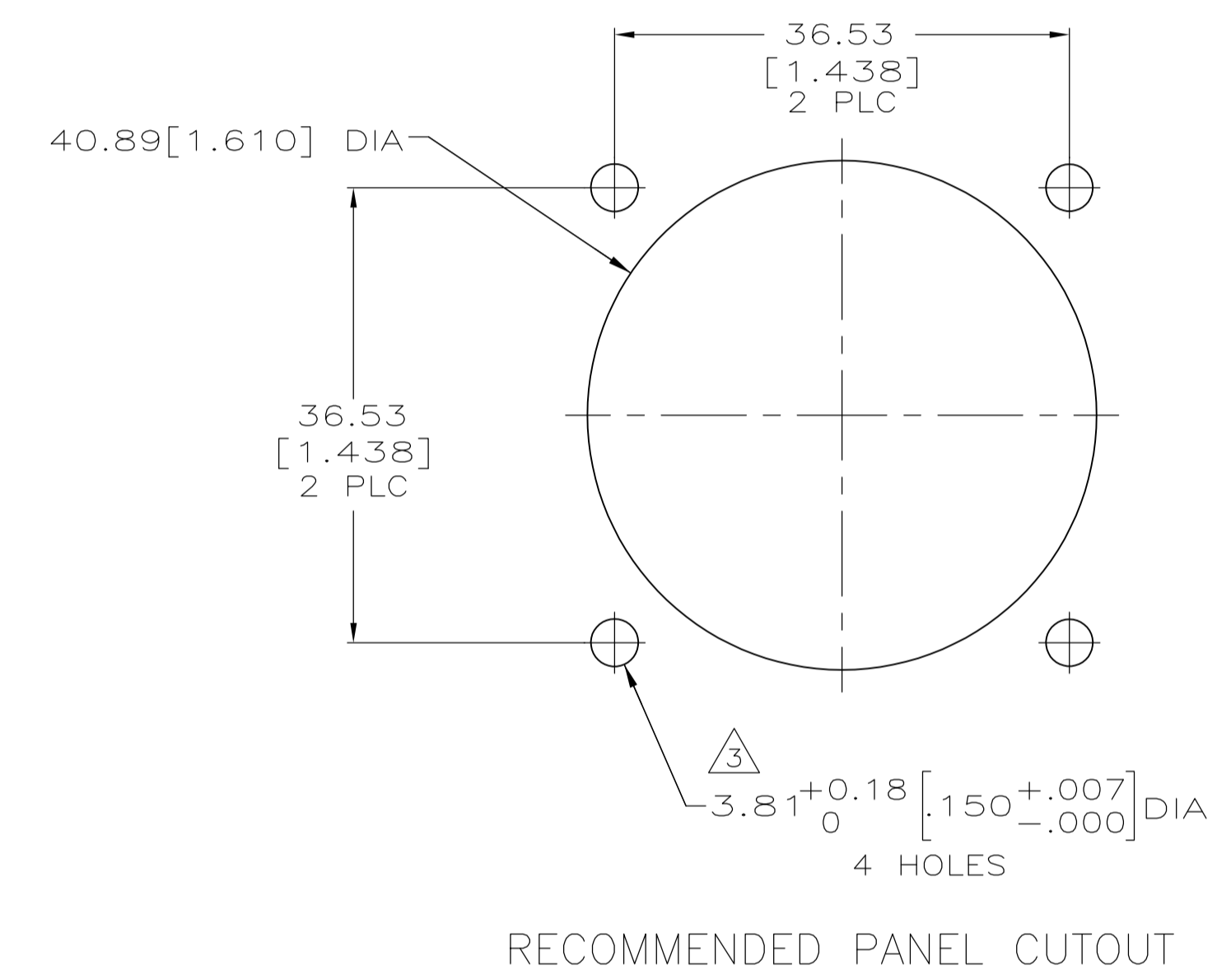
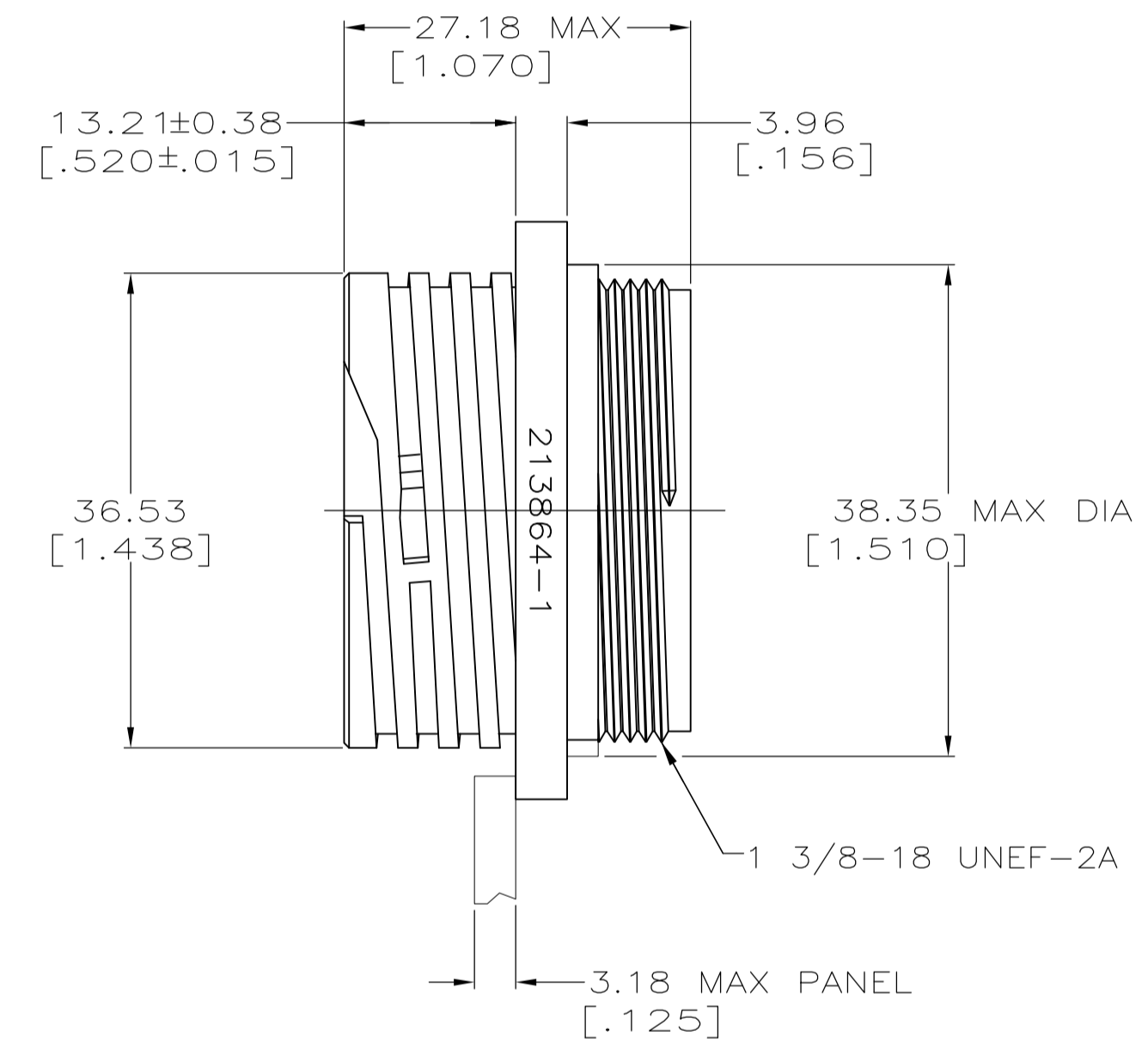
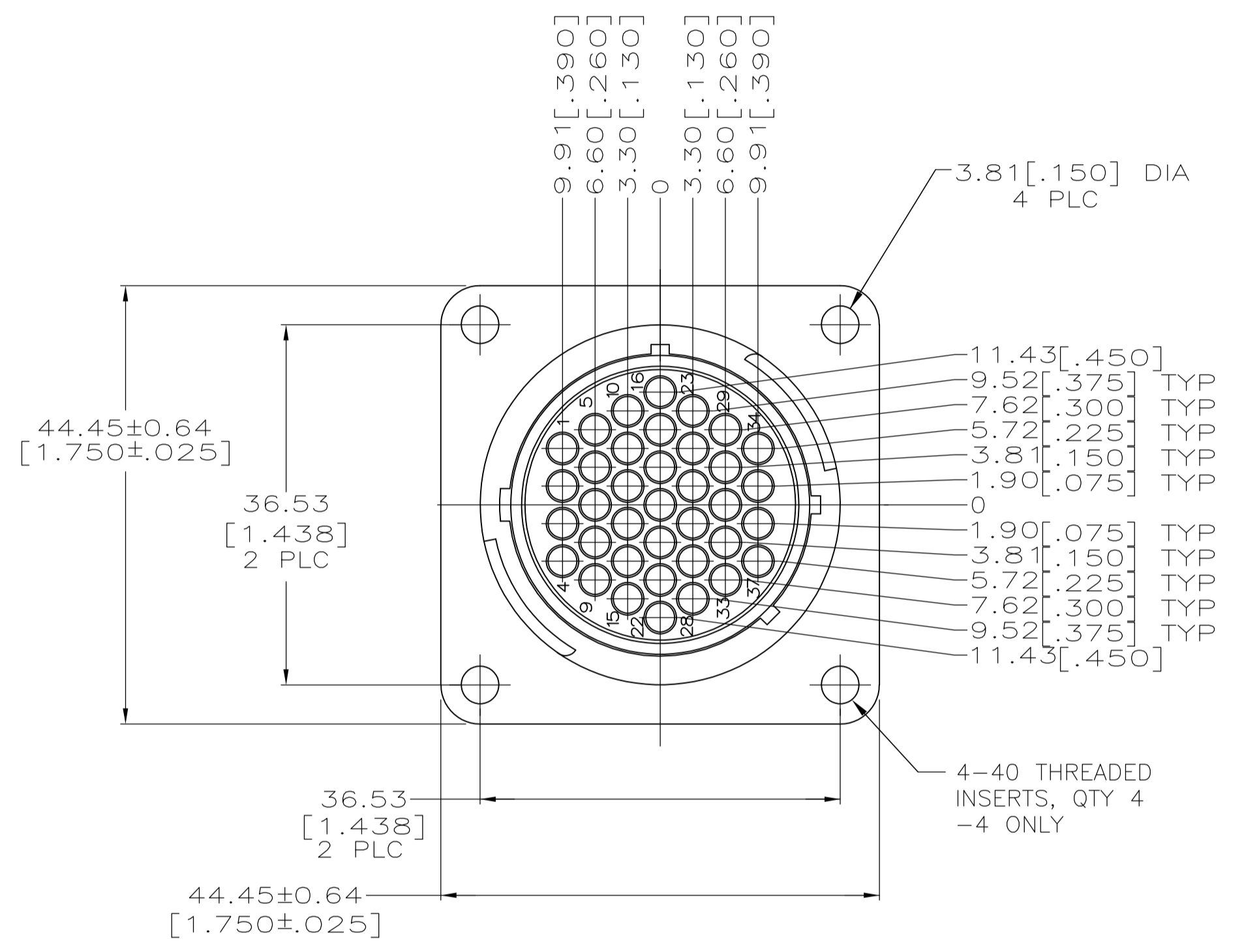


LOC		DIST		REVISIONS			
P	LTR	DESCRIPTION	DATE	DNW	APVD		
C		REVISED PER ECO-12-015521	28SEP12	KH	MZ		

- 1 CAVITY IDENTIFICATION ON FRONT AND REAR FACE.
- 2 WILL ACCEPT THIRTY-SEVEN (37) MULTIMATE SOCKET CONTACTS.
- 3 NO 4 FASTENER RECOMMENDED FOR MOUNTING.
- 4 MATERIAL: GLASS REINFORCED NYLON.
- 5 MATERIAL: GLASS REINFORCED NYLON, 100% VIRGIN.



NOTES	4-40 INSERTS	PART NUMBER
4	YES	213864-4
5	NO	213864-2
4	NO	213864-1

THIS DRAWING IS A CONTROLLED DOCUMENT.		DIN 12/22/94		K.FOLTZ	
DIMENSIONS: mm [INCHES]		TOLERANCES UNLESS OTHERWISE SPECIFIED:		CHK R.STONE 01/05/95	
0 PLC ± -		1 PLC ± -		APVD -	
1 PLC ± -		2 PLC ± 0.25 [.010]		NAME	
2 PLC ± -		3 PLC ± -		PRODUCT SPEC	
3 PLC ± -		4 PLC ± -		APPLICATION SPEC	
4 PLC ± -		ANGLES ± -		SIZE CAGE CODE DRAWING NO	
MATERIAL NYLON, BLACK		FINISH -		WEIGHT -	
CUSTOMER DRAWING		SCALE 2:1		SHEET 1 OF 1	
NYLON, BLACK		FINISH -		RESTRICTED TO	
CUSTOMER DRAWING		SCALE 2:1		REV C	